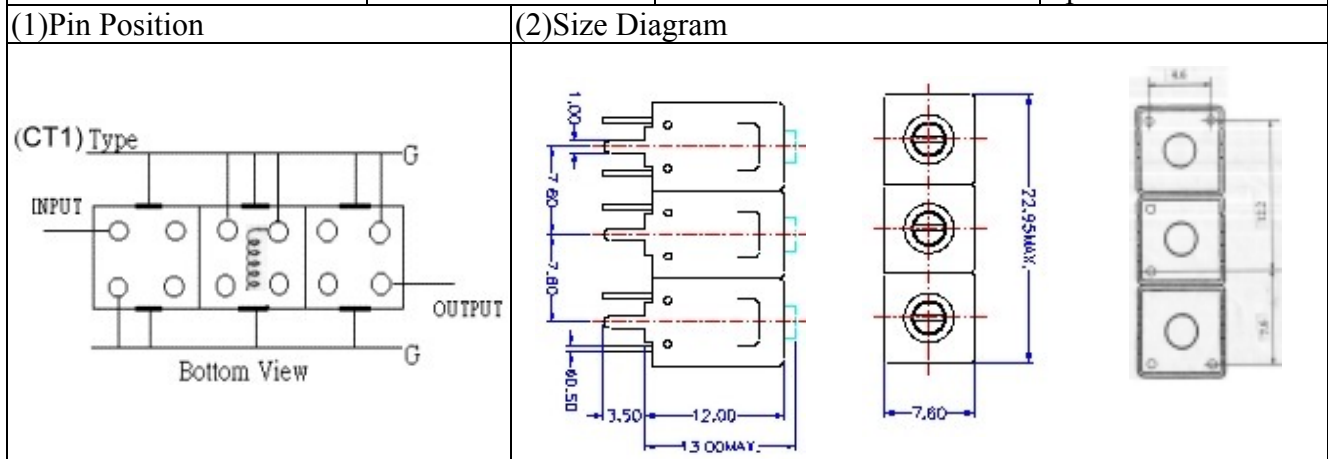
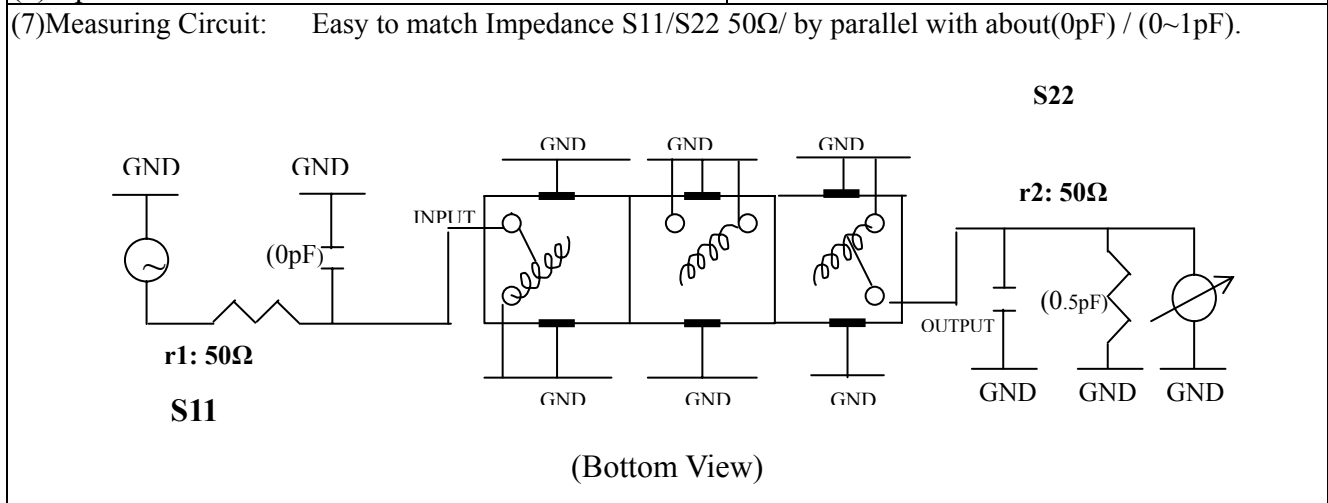


# VHF UHF Helical Filter Specification Sheet

Customer Name		Temwell's Part No.	K3CT1-947M-18M
Approval No. /dated	20404069DC	Customer's Part No.	
Work Instruction No.	20404069DC	Date	Apr.23.2004



(3) Electric Characteristic		Item	Specify
Center Freq.(Fo ) +/- 0.5 %			947 MHz
Insertion Loss		Typ.	4.5 dB
-3 dB Bandwidth		Typ.	18 MHz
Sensitivity (Attenuation )	Fo - 50 MHz	Typ.	32 dBc
	Fo + 50 MHz	Typ.	25 dBc
	Fo - ( )MHz	Typ.	dBc
	Fo +( )MHz	Typ.	dBc
Return Loss		Min.	12 dB
Ripple			< 1 dB
Impedance			In / Out : 50 Ω
(4) Torque for Tuning Screw			> 60gf cm
(5) Temperature Condition:			
Operating Temperature			0 ~ +60
Storage Temperature			-20 ~ +70
(6) Input Power			> 1Watt

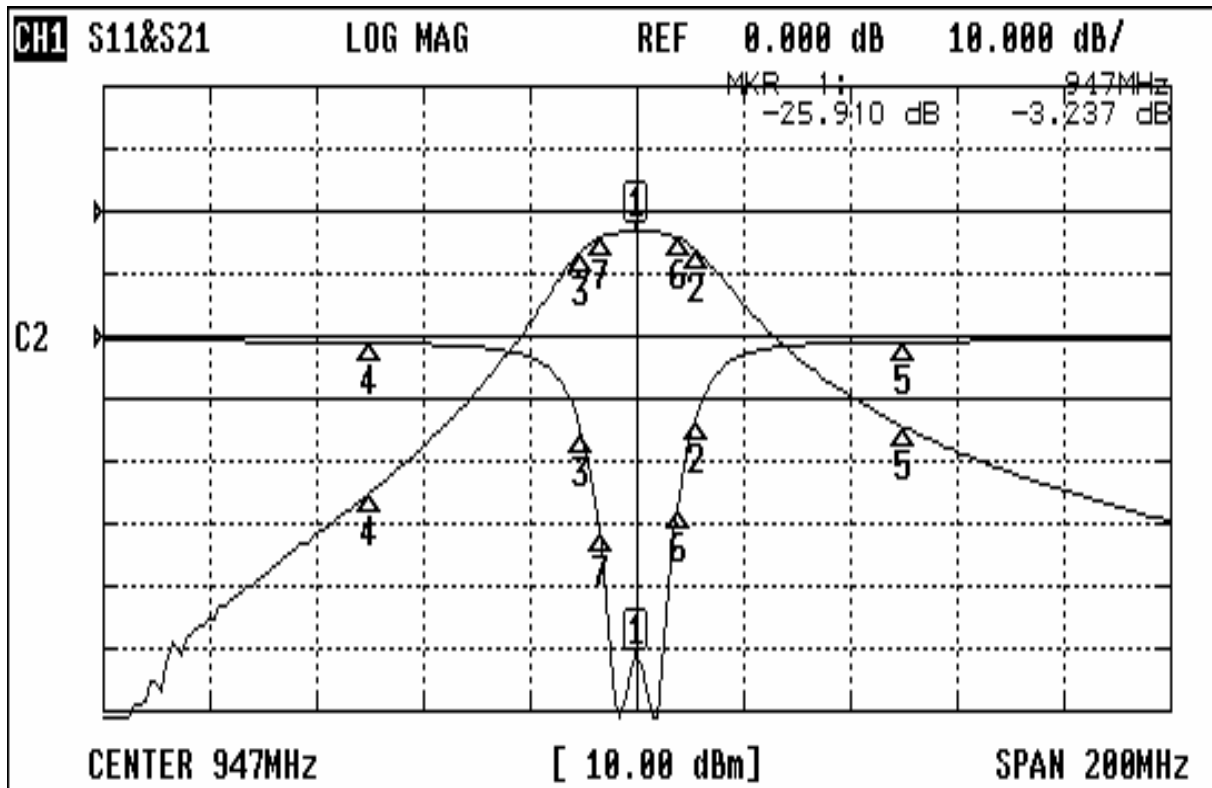


Approval	Supervisor	Designer	Aperture size
	C.S.Chang	P.H.Ching	7H3(4*4.65)(4.70)

TEMWELL CORPORATION

# Performance-K3CT1-947M-18M

20404069DC



## CH1 MARKER LIST

1:	947.000MHz	-25.910 dB	-3.237 dB
2:	958.166MHz	-6.527 dB	-6.210 dB
3:	936.833MHz	-7.811 dB	-6.214 dB
4:	897.000MHz	-0.527 dB	-45.053 dB
5:	997.000MHz	-0.422 dB	-34.498 dB
6:	954.666MHz	-13.941 dB	-4.217 dB
7:	940.166MHz	-15.771 dB	-4.215 dB
8:			
9:			
10:			