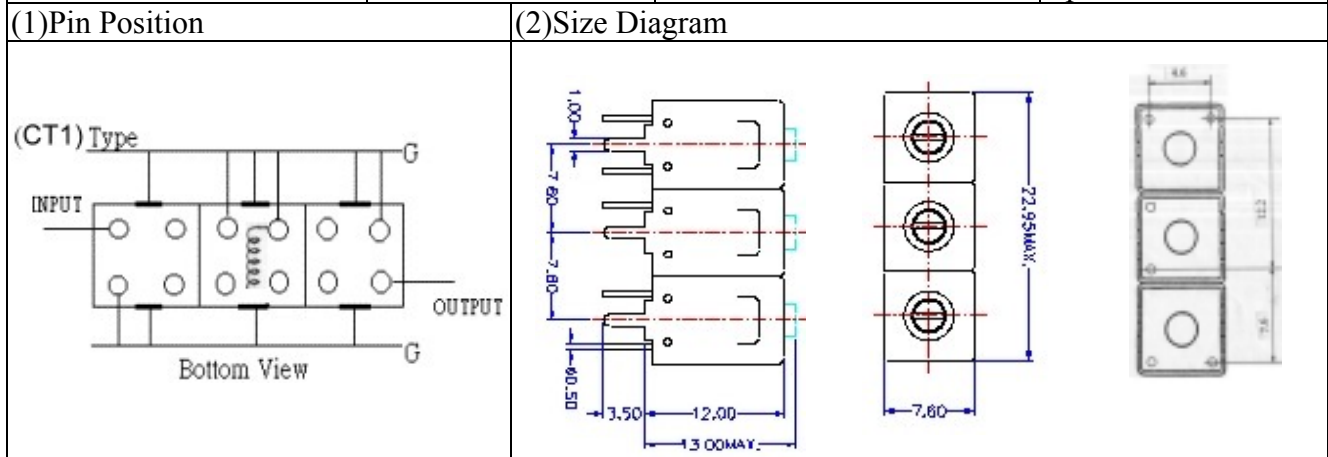


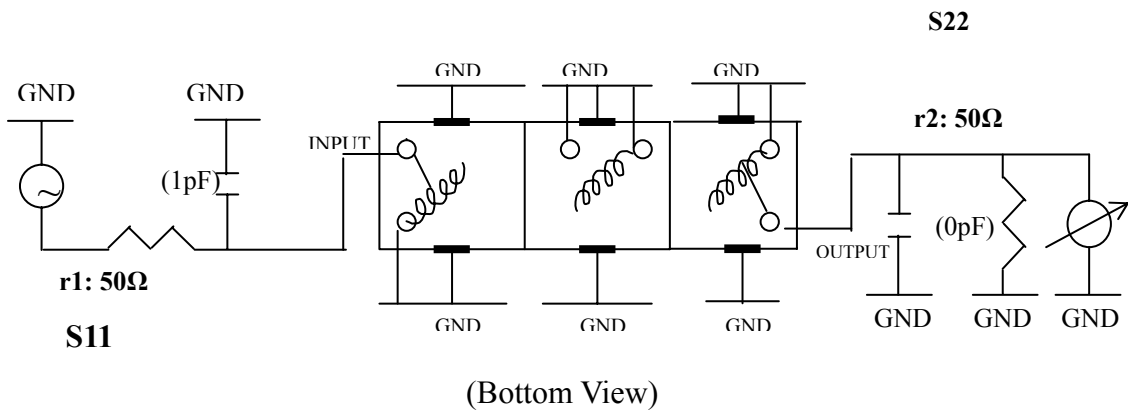
# VHF UHF Helical Filter Specification Sheet

|                      |            |                     |                |
|----------------------|------------|---------------------|----------------|
| Customer Name        |            | Temwell's Part No.  | K3CT1-938M-15M |
| Approval No. /dated  | 20404068DC | Customer's Part No. |                |
| Work Instruction No. | 20404068DC | Date                | Apr.23.2004    |



| (3) Electric Characteristic   |             | Item | Specify         |
|-------------------------------|-------------|------|-----------------|
| Center Freq.(Fo ) +/- 0.5 %   |             |      | 938 MHz         |
| Insertion Loss                |             | Typ. | 5.0 dB          |
| -3 dB Bandwidth               |             | Typ. | 15 MHz          |
| Sensitivity<br>(Attenuation ) | Fo - 30 MHz | Typ. | 23 dBc          |
|                               | Fo + 30 MHz | Typ. | 19 dBc          |
|                               | Fo - ( )MHz | Typ. | dBc             |
|                               | Fo +( )MHz  | Typ. | dBc             |
| Return Loss                   |             | Min. | 12 dB           |
| Ripple                        |             |      | < 1 dB          |
| Impedance                     |             |      | In / Out : 50 Ω |
| (4) Torque for Tuning Screw   |             |      | > 60gf cm       |
| (5) Temperature Condition:    |             |      |                 |
| Operating Temperature         |             |      | 0 ~ +60         |
| Storage Temperature           |             |      | -20 ~ +70       |
| (6) Input Power               |             |      | > 1Watt         |

(7) Measuring Circuit: Easy to match Impedance S11/S22 50Ω/ by parallel with about(0~1pF) / (0pF).



|          |            |           |                   |
|----------|------------|-----------|-------------------|
| Approval | Supervisor | Designer  | Aperture size     |
|          | C.S.Chang  | P.H.Ching | 7H3(4*4.65)(4.69) |

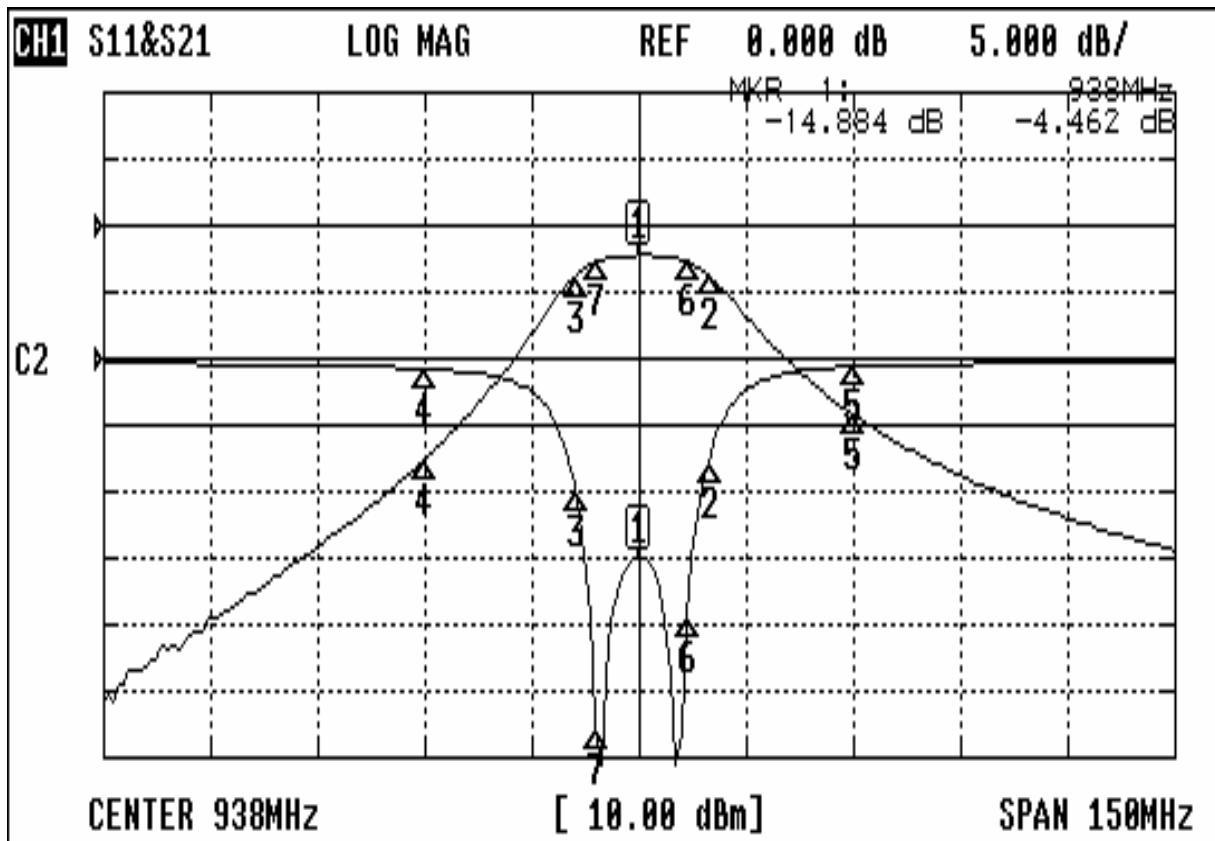
TEMWELL CORPORATION

TEMWELL

Form10-7H3CT1 Vision D

# Performance-K3CT1-938M-15M

## 20404068DC



CH1 MARKER LIST

| Marker | Frequency (MHz) | Magnitude (dB) | Reference (dB) |
|--------|-----------------|----------------|----------------|
| 1:     | 938.000MHz      | -14.884 dB     | -4.462 dB      |
| 2:     | 947.750MHz      | -7.791 dB      | -7.447 dB      |
| 3:     | 929.250MHz      | -10.152 dB     | -7.489 dB      |
| 4:     | 908.000MHz      | -0.758 dB      | -35.207 dB     |
| 5:     | 968.000MHz      | -0.588 dB      | -28.448 dB     |
| 6:     | 944.750MHz      | -19.589 dB     | -5.418 dB      |
| 7:     | 932.125MHz      | -28.772 dB     | -5.433 dB      |
| 8:     |                 |                |                |
| 9:     |                 |                |                |
| 10:    |                 |                |                |