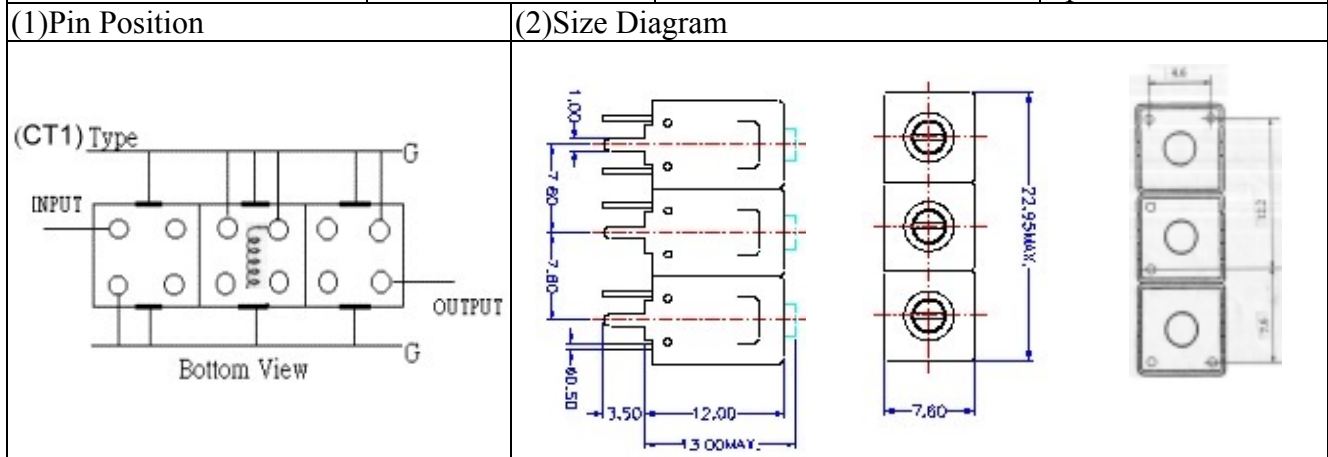


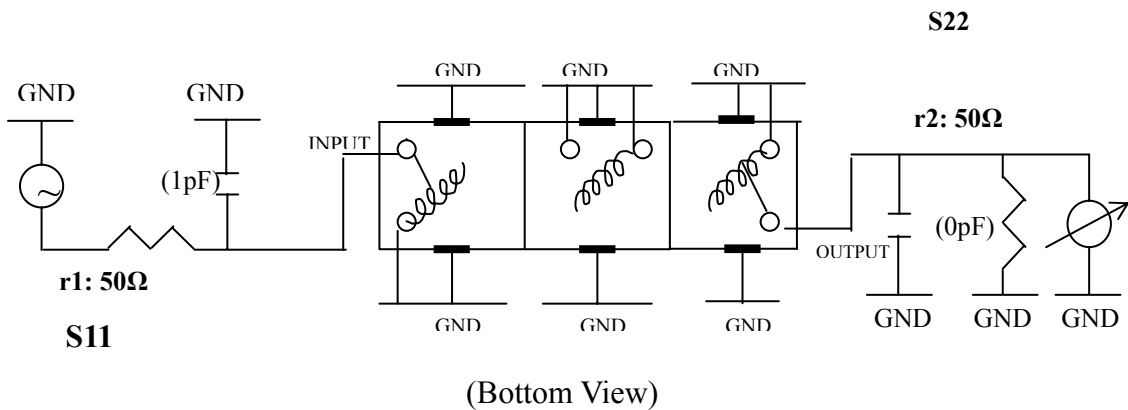
VHF UHF Helical Filter Specification Sheet

Customer Name		Temwell's Part No.	K3CT1-915M-12M
Approval No. /dated	20404067DC	Customer's Part No.	
Work Instruction No.	20404067DC	Date	Apr.23.2004



(3) Electric Characteristic		Item	Specify
Center Freq.(Fo) +/- 0.5 %			915 Hz
Insertion Loss		Typ.	5.0 dB
-3 dB Bandwidth		Typ.	12 MHz
Sensitivity (Attenuation)	Fo - 90 MHz	Typ.	48 dBc
	Fo + 90 MHz	Typ.	40 dBc
	Fo - ()MHz	Typ.	dBc
	Fo +()MHz	Typ.	dBc
Return Loss		Min.	12 dB
Ripple			< 1 dB
Impedance			In / Out : 50 Ω
(4) Torque for Tuning Screw			> 60gf cm
(5) Temperature Condition:			
Operating Temperature			0 ~ +60
Storage Temperature			-20 ~ +70
(6) Input Power			> 1Watt

(7) Measuring Circuit: Easy to match Impedance S11/S22 50Ω/ by parallel with about(0~1pF) / (0pF).

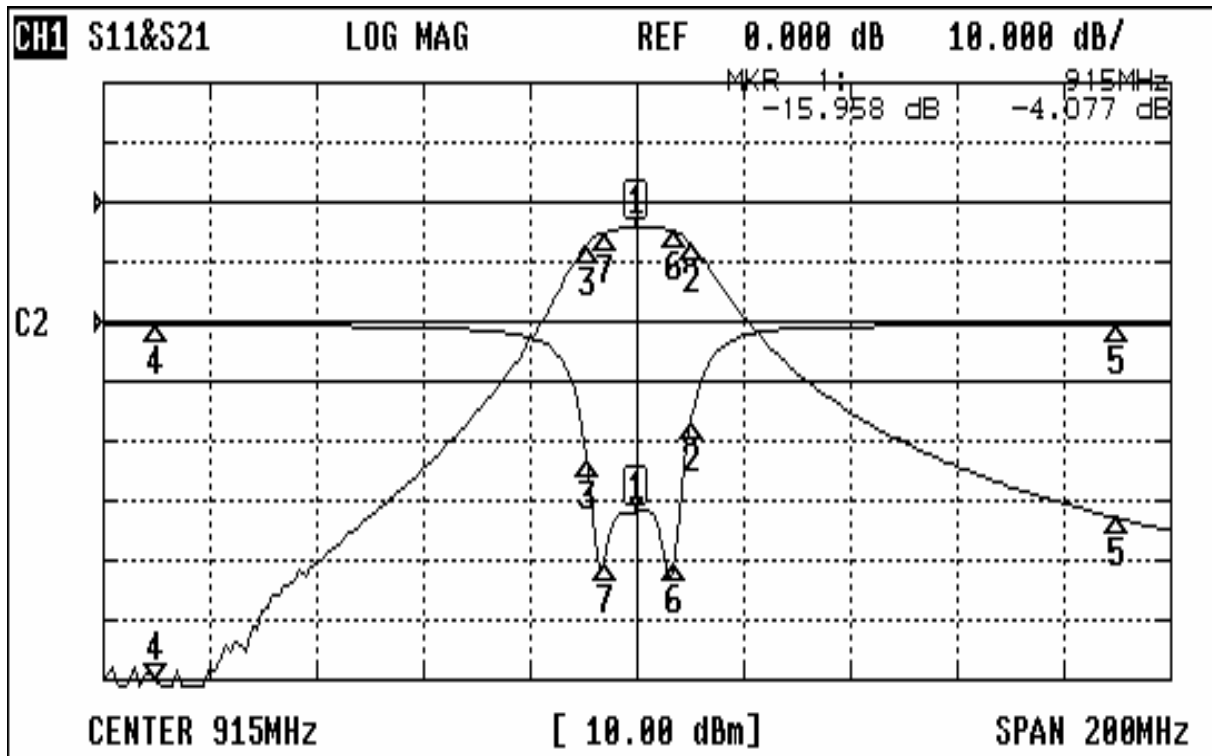


Approval	Supervisor	Designer	Aperture size
	C.S.Chang	P.H.Ching	7H3(4*4.65)(4.68)

TEMWELL CORPORATION

Performance-K3CT1-915M-12M

204040067DC



CH1 MARKER LIST

1:	915.000MHz	-15.958 dB	-4.077 dB
2:	925.333MHz	-8.239 dB	-7.058 dB
3:	905.833MHz	-11.550 dB	-7.038 dB
4:	825.000MHz	-0.305 dB	-80.756 dB
5:	1.005 000GHz	-0.353 dB	-52.831 dB
6:	922.166MHz	-20.179 dB	-5.009 dB
7:	909.000MHz	-20.270 dB	-5.036 dB
8:			
9:			
10:			