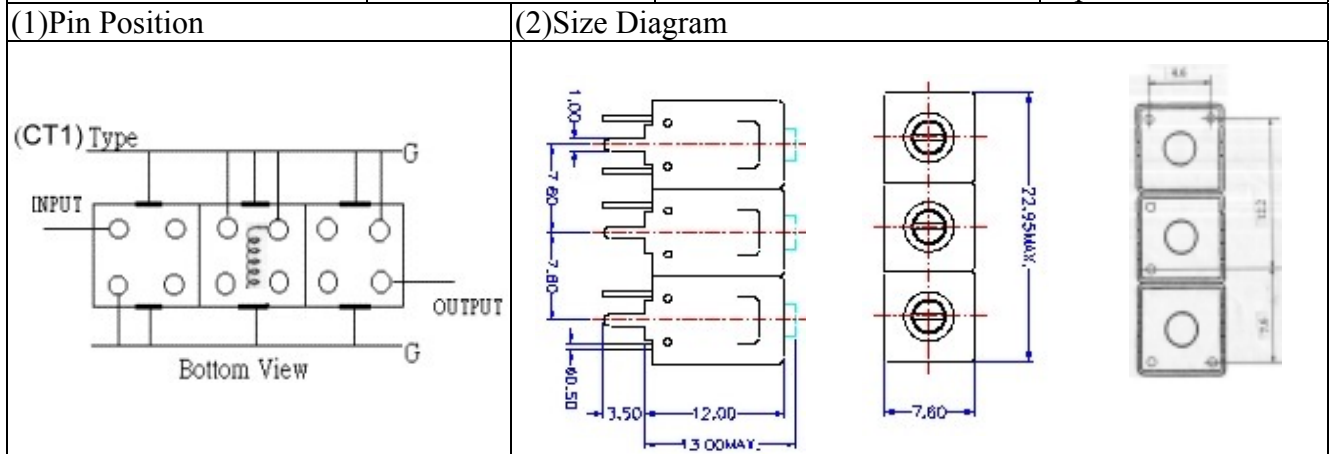


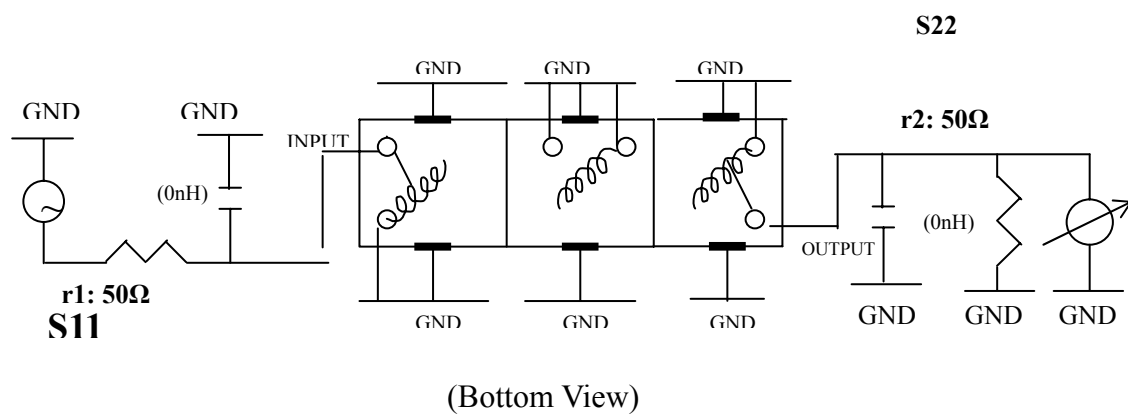
# VHF UHF Helical Filter Specification Sheet

Customer Name		Temwell's Part No.	K3CT1-860.5M-23M
Approval No. /dated	0908091CD	Temwell's printname.	K3CT1 860.5M
Work Instruction No.	200908091CD	Date	Sep.14.09



(3) Electric Charasteric	
Item	Specify
Center Freq.(Fo ) +/- 0.5 %	860.5 MHz
Insertion Loss	Typ. 3.5 dB
-3 dB Bandwidth	Typ. 23 MHz
Sensitivity (Attenuation )	Fo - 80 MHz Typ. 47 dBc
	Fo + 80 MHz Typ. 35 dBc
	Fo - ( )MHz Typ. dBc
	Fo +( )MHz Typ. dBc
Return Loss	Min. 12 dB
Ripple	< 1 dB
Impedance	In / Out : 50 Ω
(4) Torque for Tuning Screw	
> 100gf cm	
(5) Temperature Condition:	
Operating Temperature	0 ~ +60
Storage Temperature	-20 ~ +70
(6) Input Power	
> 1Watt	

(7) Measuring Circuit: Easy to match Impedance S11/S22 50Ω/75Ω by parallel with about( nH) / ( nH).

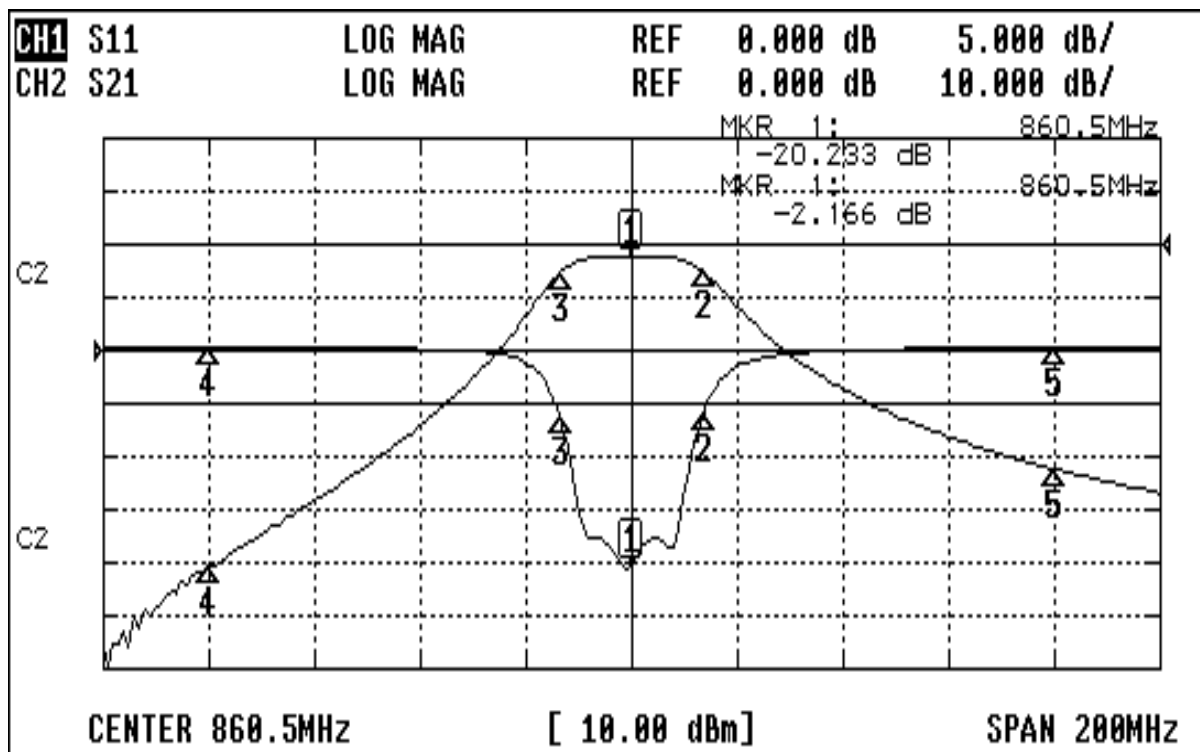


Approval	Supervisor	Designer	Aperture size
C.Y.Chang	C.K.Chang	L.F.Lai	7H3S(4*5.5)(4.59) 7H046RB4

TEMWELL CORPORATION

# Performance-K3CT1-860.5M-23M

## 200908091CD



### CH1 MARKER LIST

1:	860.500MHz	-20.233 dB
2:	874.333MHz	-6.757 dB
3:	847.000MHz	-6.147 dB
4:	780.500MHz	0.243 dB
5:	940.500MHz	0.281 dB

### CH2 MARKER LIST

1:	860.500MHz	-2.166 dB
2:	874.333MHz	-1.100 dB
3:	847.000MHz	-1.200 dB
4:	780.500MHz	-60.792 dB
5:	940.500MHz	-42.367 dB