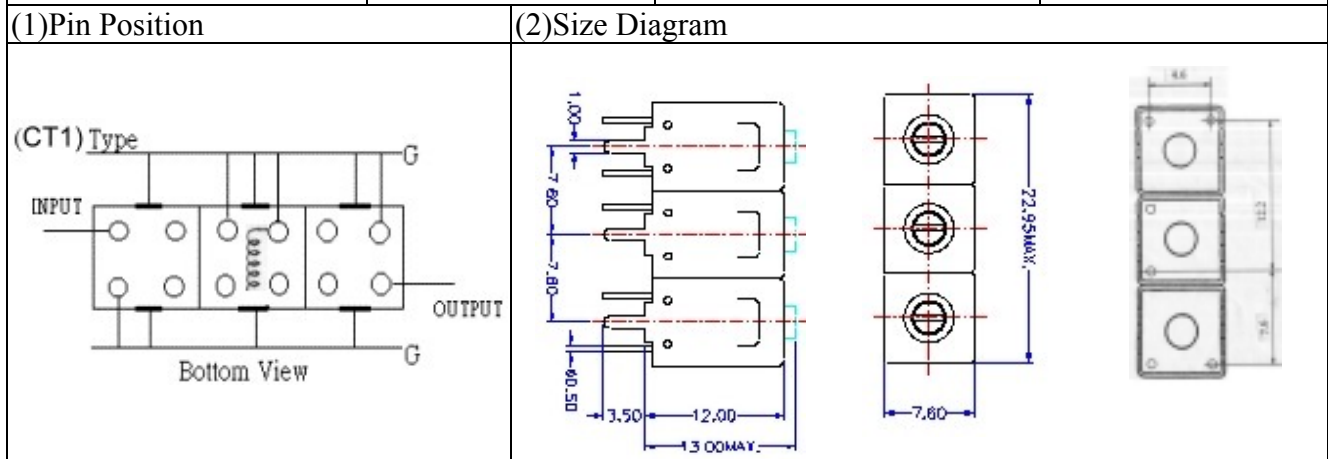
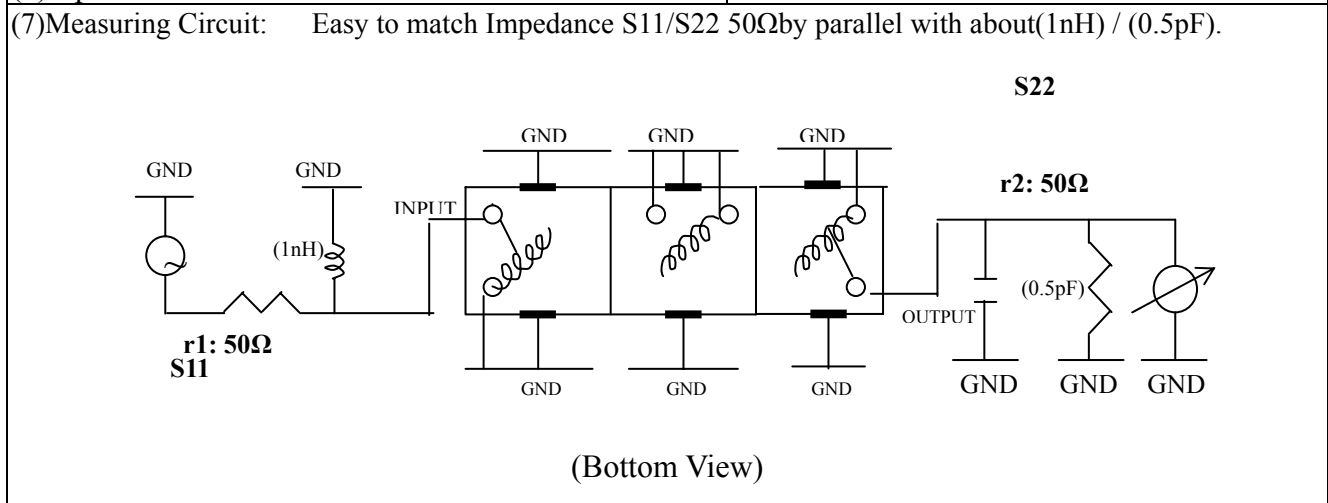


VHF UHF Helical Filter Specification Sheet

Customer Name		Temwell's Part No.	K3CT1-833M-16M
Approval No. /dated	20402076DC	Customer's Part No.	
Work Instruction No.	20402076DC	Date	Mar.01.2004



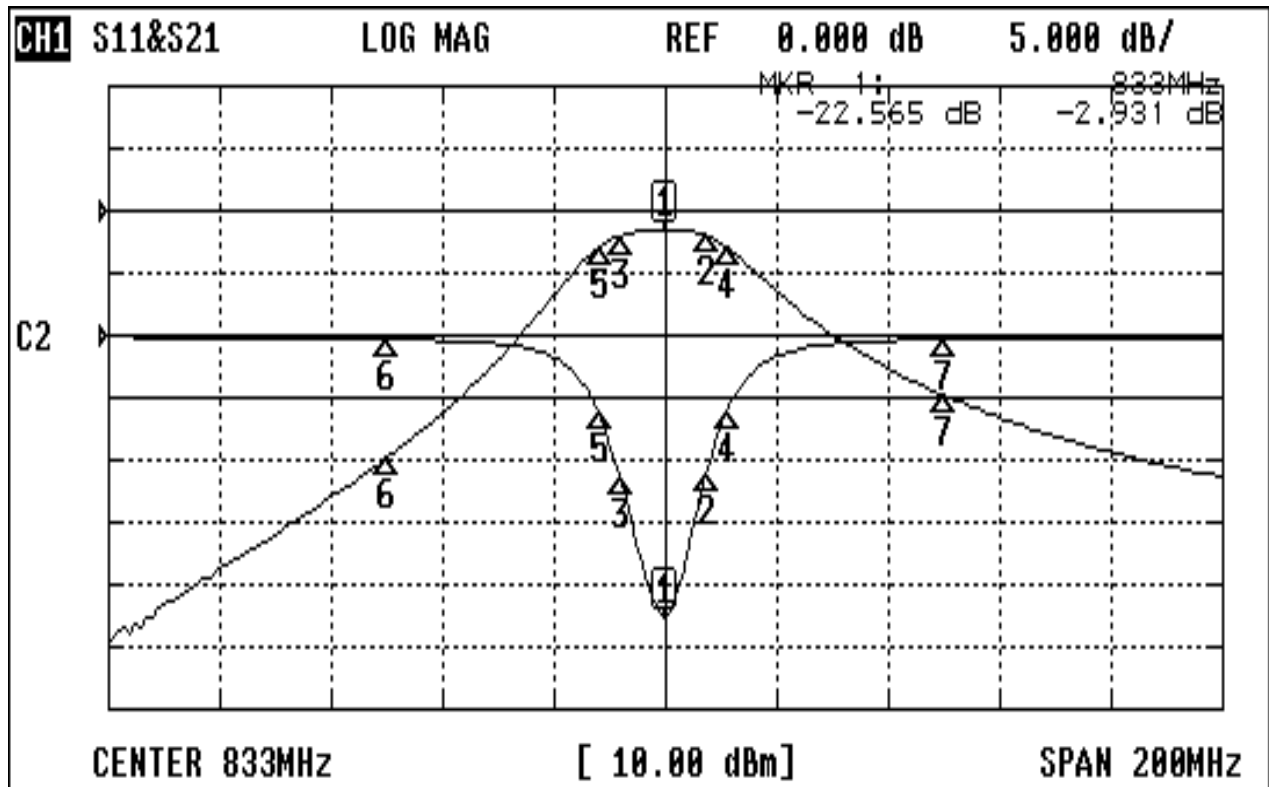
(3) Electric Characteristic	
Item	Specify
Center Freq.(Fo) +/- 0.5 %	833 MHz
Insertion Loss	Typ. 3.5 dB
-3 dB Bandwidth	Typ. 16 MHz
Sensitivity (Attenuation)	Fo - 50 MHz Typ. 30 dB
	Fo + 50 MHz Typ. 25 dB
	Fo - ()MHz Typ. dB
	Fo +()MHz Typ. dB
Return Loss	Min. 12 dB
Ripple	< 1 dB
Impedance	In / Out : 50 Ω
(4) Torque for Tuning Screw	> 60gf cm
(5) Temperature Condition:	
Operating Temperature	0 ~ +60
Storage Temperature	-20 ~ +70
(6) Input Power	> 1Watt



Approval	Supervisor	Designer	Aperture size
	C.S.Chang	Enlan	7H3(4*5.5)(5.6)F
TEMWELL CORPORATION			

Performance-K3CT1-833M-16M

20402076DC



CH1 MARKER LIST

1:	833.000MHz	-22.565 dB	-2.931 dB
2:	840.500MHz	-11.096 dB	-3.969 dB
3:	825.000MHz	-11.422 dB	-3.981 dB
4:	844.333MHz	-5.986 dB	-5.939 dB
5:	821.000MHz	-6.083 dB	-5.964 dB
6:	783.000MHz	-0.295 dB	-39.655 dB
7:	883.000MHz	-0.311 dB	-29.657 dB
8:			
9:			
10:			