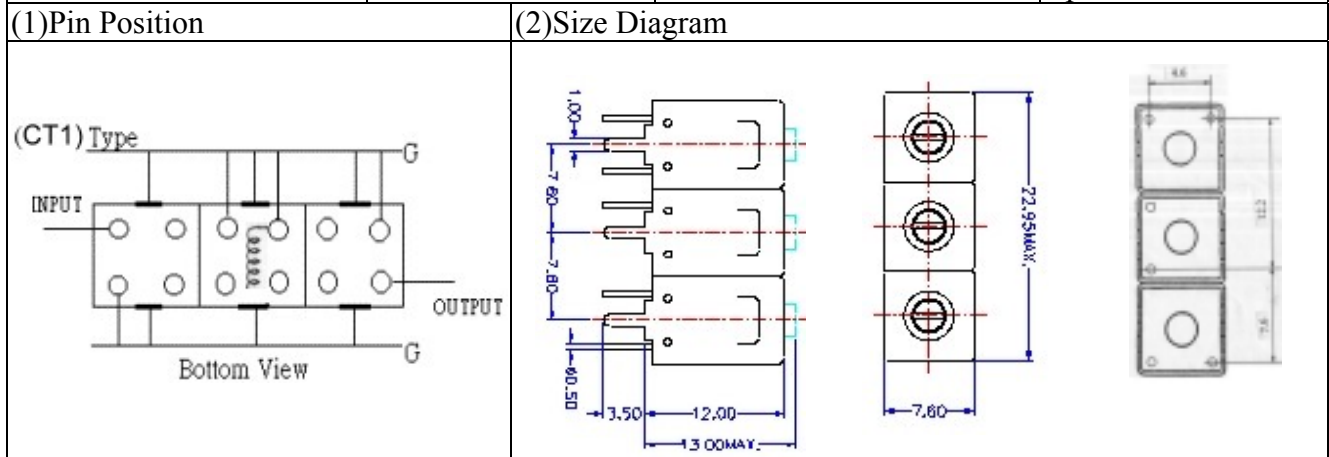
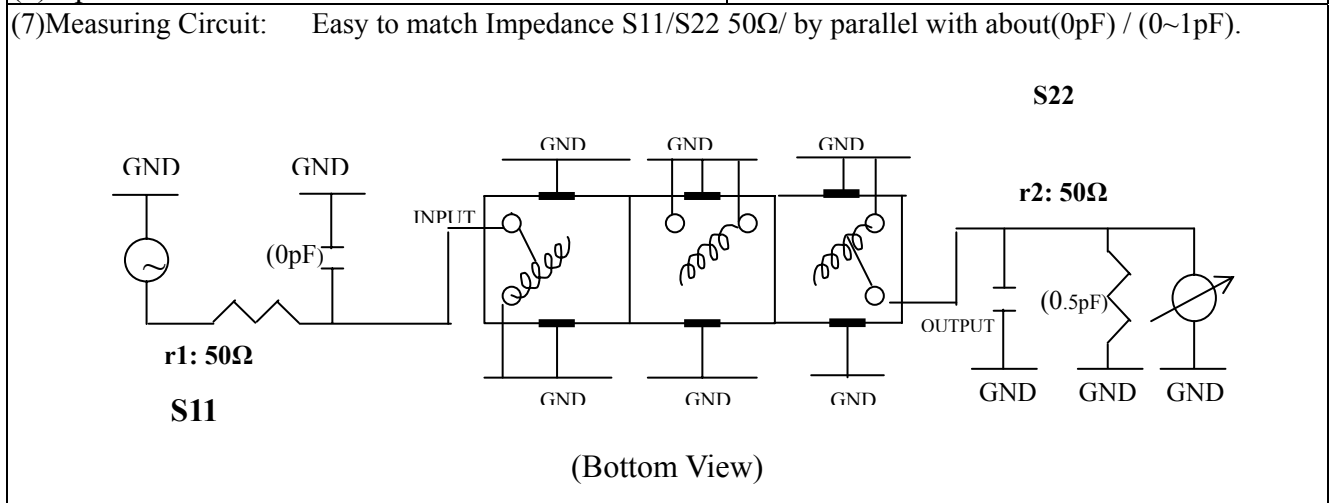


# VHF UHF Helical Filter Specification Sheet

Customer Name		Temwell's Part No.	K3CT1-1015M-25M
Approval No. /dated	20404071DC	Customer's Part No.	
Work Instruction No.	20404071DC	Date	Apr.26.2004



(3) Electric Characteristic	
Item	Specify
Center Freq.(Fo ) +/- 0.5 %	1015 MHz
Insertion Loss	Typ. 4.0 dB
-3 dB Bandwidth	Typ. 25 MHz
Sensitivity (Attenuation )	Fo - 40 MHz    Typ. 20 dBc
	Fo + 40 MHz    Typ. 16 dBc
	Fo - ( )MHz    Typ. dBc
	Fo +( )MHz    Typ. dBc
Return Loss	Min. 12 dB
Ripple	< 1 dB
Impedance	In / Out : 50 Ω
(4) Torque for Tuning Screw	
> 60gf cm	
(5) Temperature Condition:	
Operating Temperature	0 ~ +60
Storage Temperature	-20 ~ +70
(6) Input Power	
> 1Watt	

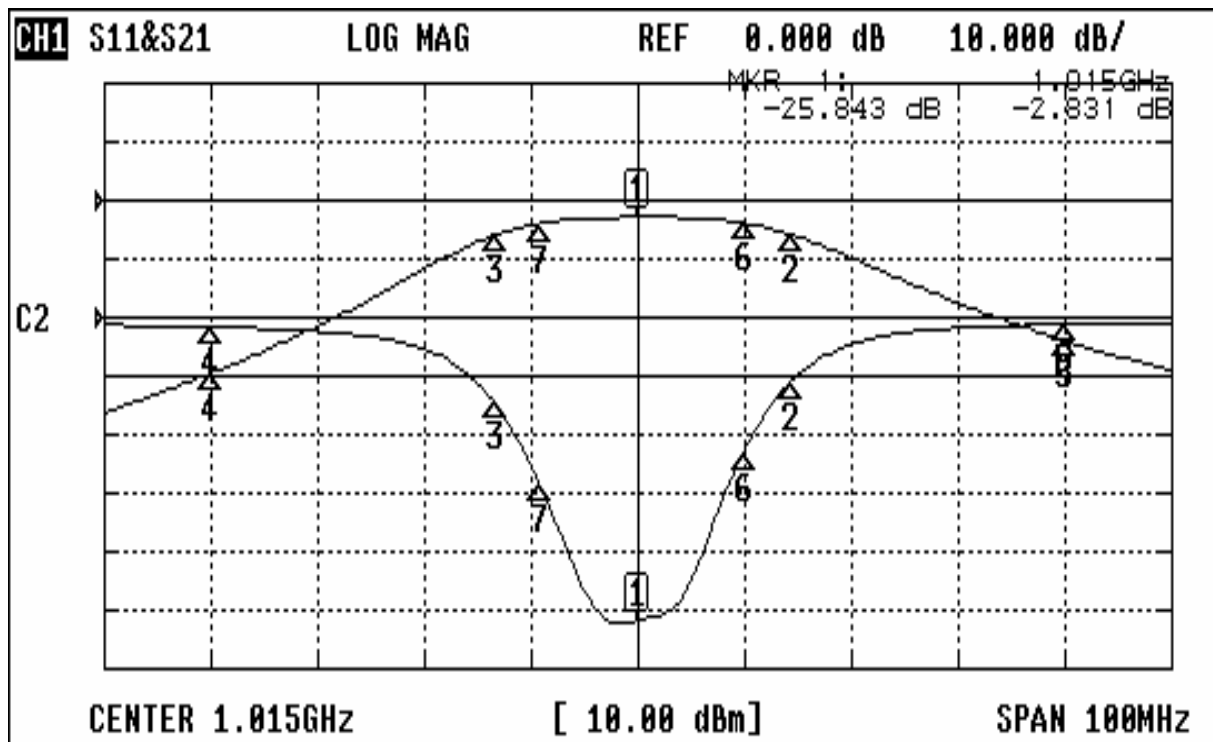


Approval	Supervisor	Designer	Aperture size
	C.S.Chang	P.H.Ching	7H3(4*4.65)(4.66)

TEMWELL CORPORATION

# Performance-K3CT1-1015M-25M

20404071DC



## CH1 MARKER LIST

1:	1.015 000GHz	-25.843 dB	-2.831 dB
2:	1.029 416GHz	-5.446 dB	-5.835 dB
3:	1.001 583GHz	-7.261 dB	-5.848 dB
4:	975.000MHz	-0.797 dB	-29.511 dB
5:	1.055 000GHz	-0.581 dB	-23.924 dB
6:	1.025 000GHz	-11.476 dB	-3.886 dB
7:	1.005 916GHz	-14.279 dB	-3.847 dB
8:			
9:			
10:			