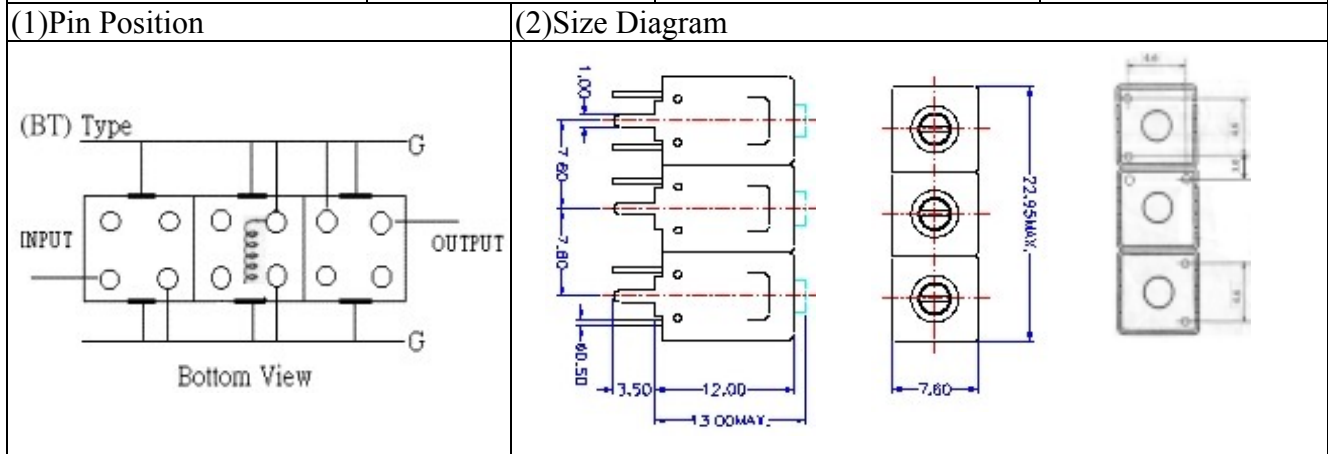


# VHF UHF Helical Filter Specification Sheet

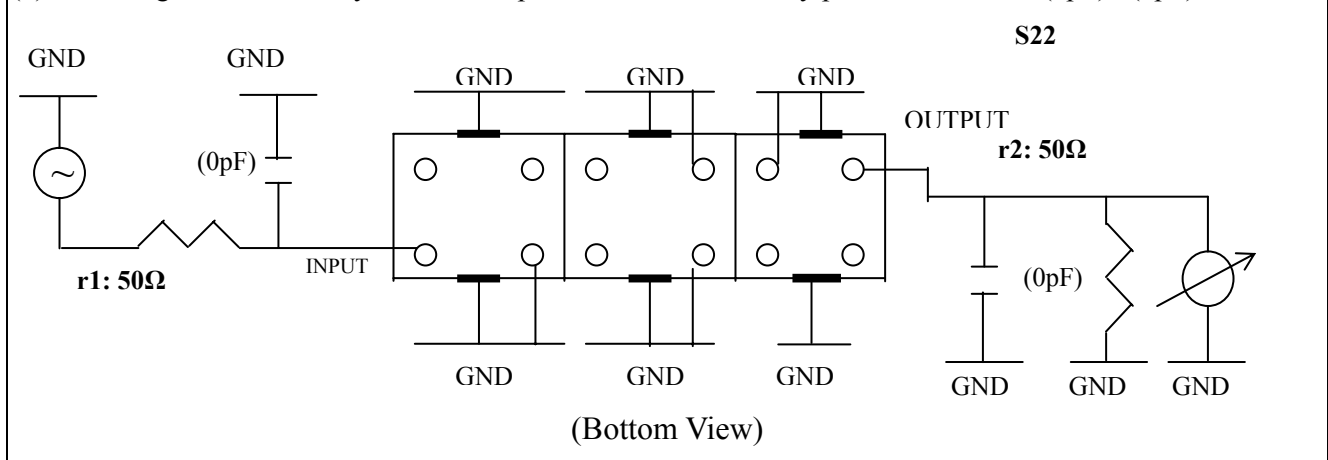
Customer Name		Temwell's Part No.	K3BT-835M-20M
Approval No. /dated	0906101CD	Customer's Part No.	K3BT 835M
Work Instruction No.	200906101CD	Date	Jul.14.2009



(3) Electric Charasteric

Item	Specify	
Center Freq.(Fo ) +/- 0.5 %	835	MHz
Insertion Loss	Typ. 3.0	dB
-3 dB Bandwidth	Typ. 20	MHz
Sensitivity (Attenuation )	Fo - 50 MHz	Typ. 40 dBc
	Fo + 50 MHz	Typ. 26 dBc
	Fo - ( )MHz	Typ. dBc
	Fo +( )MHz	Typ. dBc
Return Loss	Min. 12	dB
Ripple	< 1	dB
Impedance	In / Out : 50 Ω	
(4)Torque for Tuning Screw	> 100gf cm	
(5)Temperature Condition:		
Operating Temperature	0 ~ +60	
Storage Temperature	-20 ~ +70	
(6)Input Power	> 1Watt	

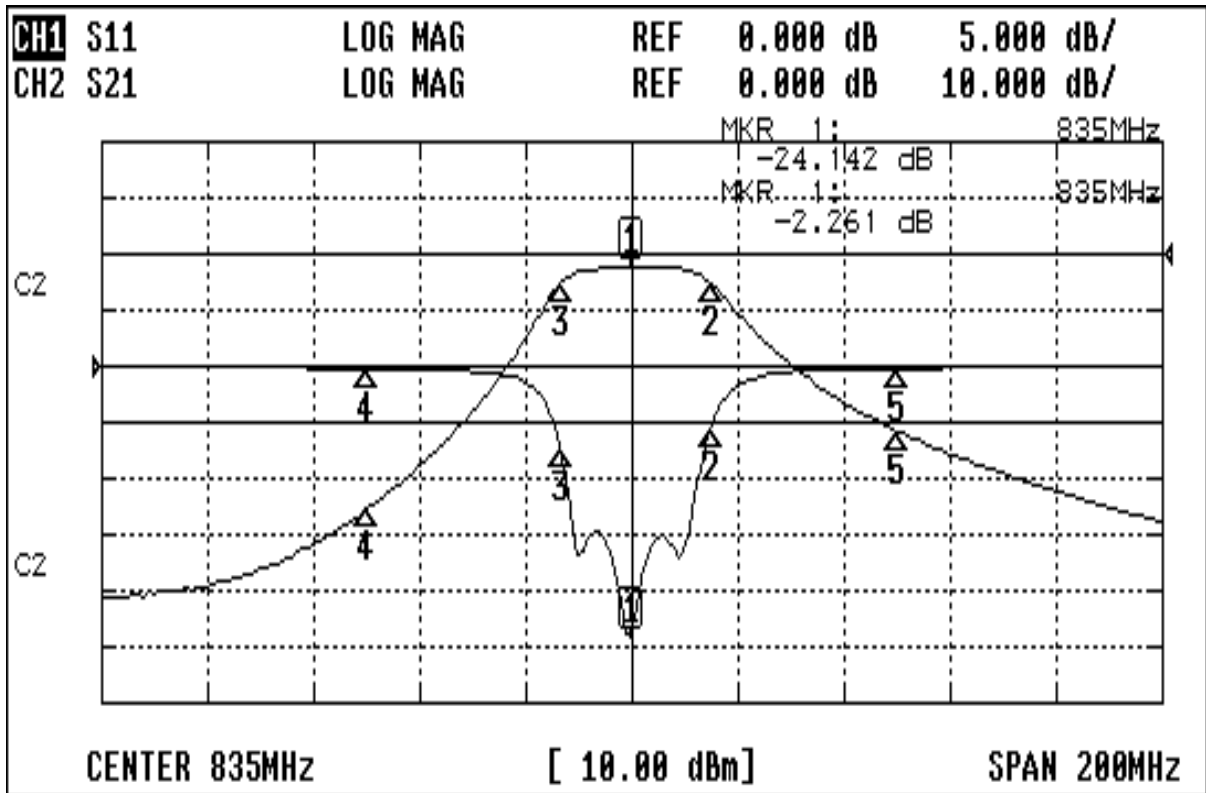
(7)Measuring Circuit: Easy to match Impedance S11/S22 50Ω by parallel with about(0pF) / (0pF).



Approval	Supervisor	Designer	Aperture size
C.Y.Chang	C.K.Chang	Y.H.Yeh	7H3S(4*6.5)(6.58) 7H046RB4
TEMWELL CORPORATION			

# Performance-K3BT-835M-20M

## 200906101CD



### CH1 MARKER LIST

1:	835.000MHz	-24.107 dB
2:	850.040MHz	-5.414 dB
3:	821.680MHz	-7.504 dB
4:	785.000MHz	-0.204 dB
5:	885.000MHz	-0.186 dB

### CH2 MARKER LIST

1:	835.000MHz	-2.260 dB
2:	850.040MHz	-5.255 dB
3:	821.680MHz	-5.275 dB
4:	785.000MHz	-45.484 dB
5:	885.000MHz	-31.475 dB