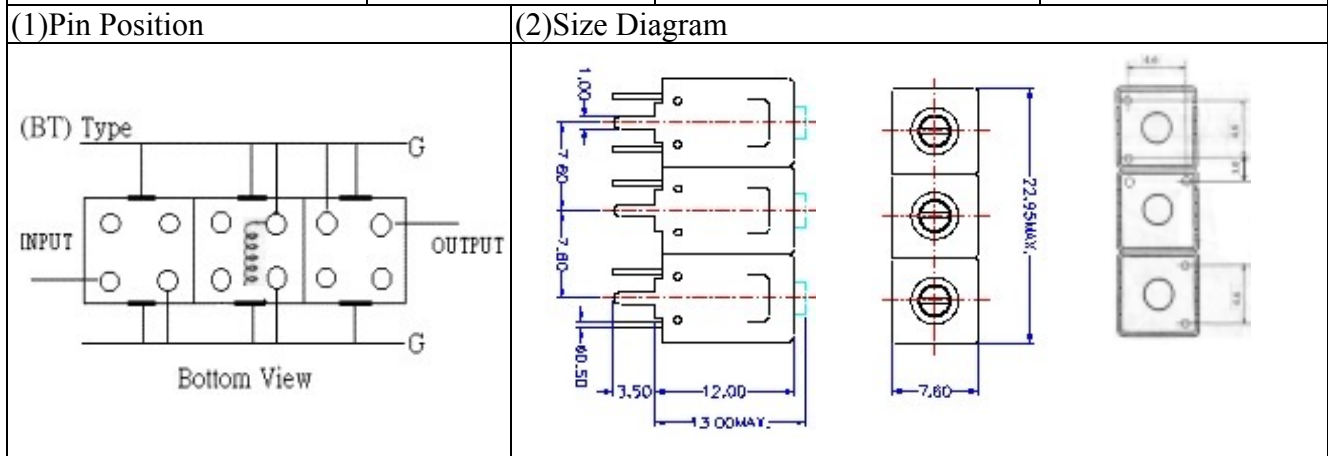


VHF UHF Helical Filter Specification Sheet

Customer Name		Temwell's Part No.	K3BT-612M-18M
Approval No. /dated	0906100CD	Temwell's Print name.	K3BT 612M
Work Instruction No.	200906100CD	Date	Jul.10.2009



(3) Electric Charasteric

Item	Specify
Insertion Loss	Typ. 3.5 dB
-3 dB Bandwidth	Typ. 18 MHz
Sensitivity (Attenuation)	Fo - 30 MHz Typ. 20 dBc
	Fo + 30 MHz Typ. 14 dBc
	Fo - ()MHz Typ. dBc
	Fo +()MHz Typ. dBc
Return Loss	Min. 12 dB
Ripple	< 1 dB
Impedance	In / Out : 50 Ω
(4) Torque for Tuning Screw	> 100gf cm

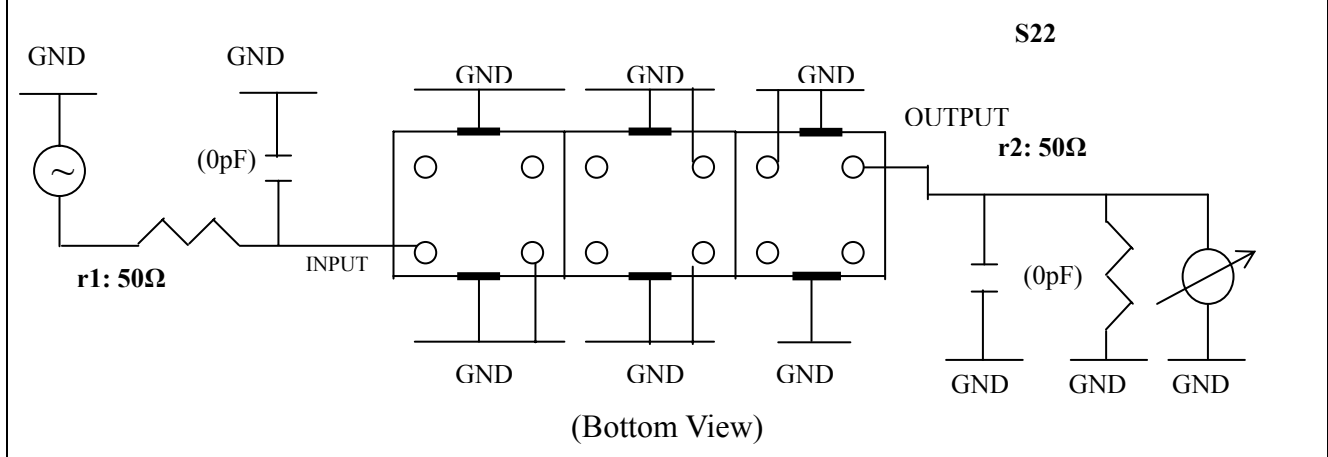
(5) Temperature Condition:

Operating Temperature	0 ~ +60
Storage Temperature	-20 ~ +70

(6) Input Power

> 1Watt

(7) Measuring Circuit: Easy to match Impedance S11/S22 50Ω by parallel with about(0pF) / (0pF).



Approval C.Y.Chang	Supervisor C.K.Chang	Designer Y.H.Yeh	Aperture size 7H3S(4*5.5)(5.57) 7H046RB4
-----------------------	-------------------------	---------------------	--

TEMWELL CORPORATION

Performance-K3BT-612M-18M

200906100CD

