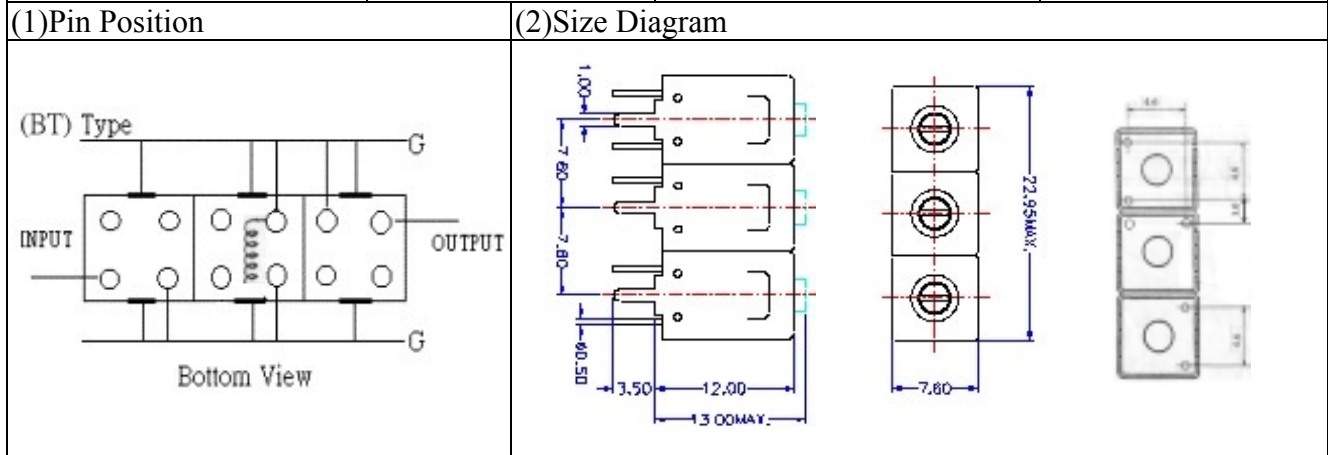


VHF UHF Helical Filter Specification Sheet

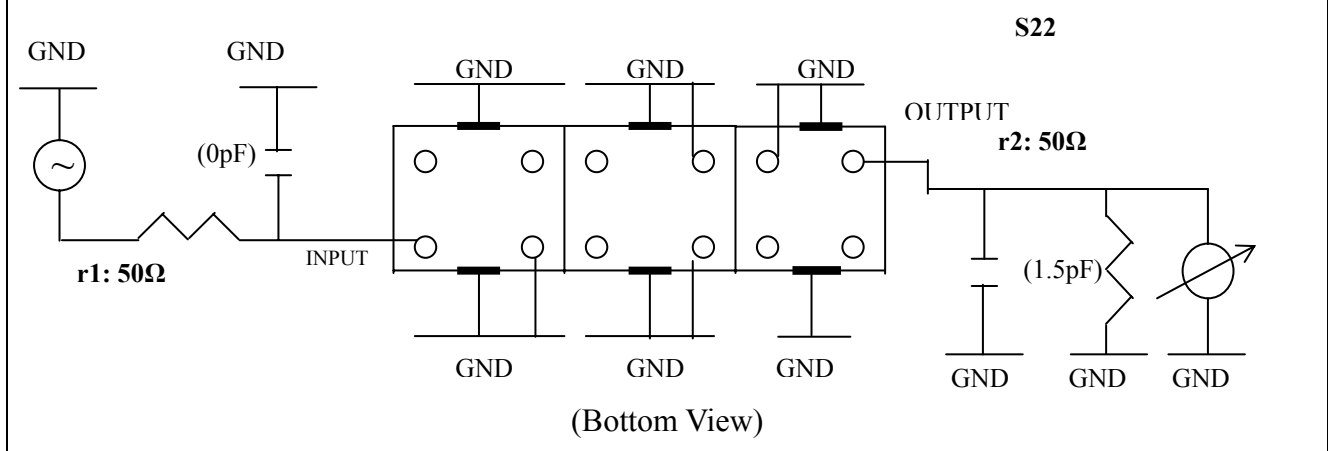
Customer Name		Temwell's Part No.	K3BT-415M-20M
Approval No. /dated	0904138CD	Customer's Part No.	K3BT 415M
Work Instruction No.	200904138CD	Date	APR.28.2009



(3) Electric Characteristic	
Item	Specify
Center Freq.(Fo) +/- 0.5 %	415 MHz
Insertion Loss	Typ. 3.0 dB
-3 dB Bandwidth	Typ. 20 MHz
Sensitivity (Attenuation)	Fo - 50 MHz Typ. 36 dBc
	Fo + 50 MHz Typ. 26 dBc
	Fo - ()MHz Typ. dBc
	Fo +()MHz Typ. dBc
Return Loss	Min. 12 dB
Ripple	< 1 dB
Impedance	In / Out : 50 Ω
(4) Torque for Tuning Screw	> 100gf cm

(5) Temperature Condition:	
Operating Temperature	0 ~ +60
Storage Temperature	-20 ~ +70
(6) Input Power	> 1Watt

(7) Measuring Circuit: Easy to match Impedance S11/S22 50Ω by parallel with about(0pF) / (1.5pF).

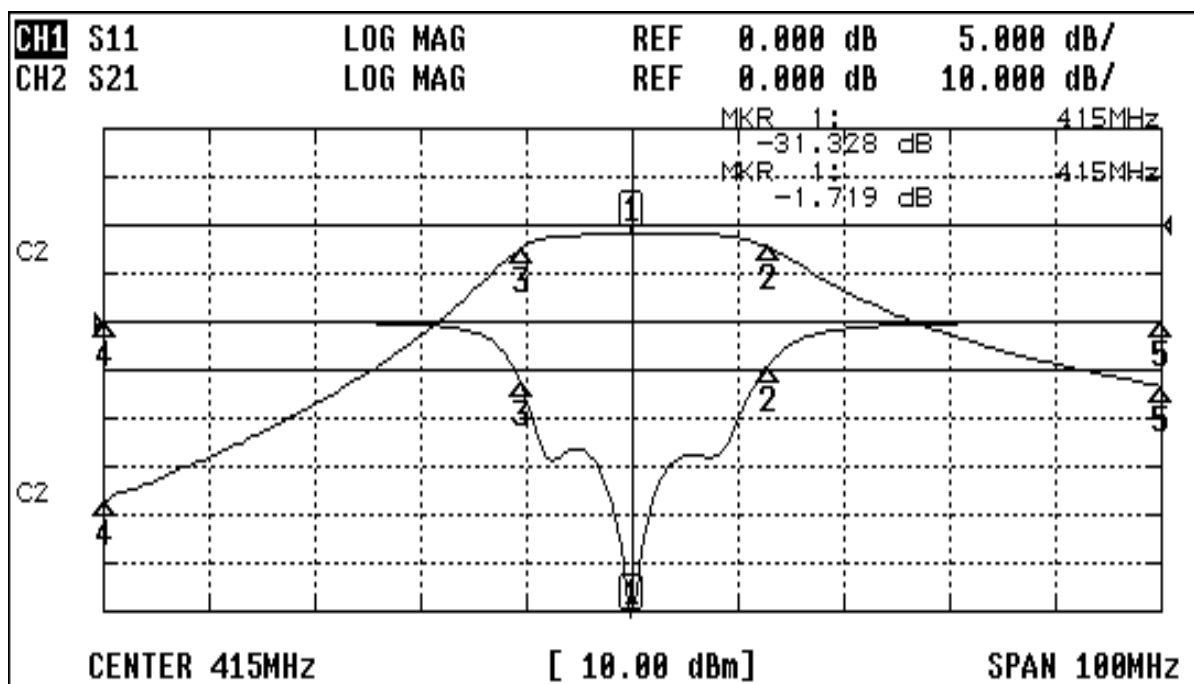


Approval	Supervisor	Designer	Aperture size
C.S.Chang	C.K.Chang	J.F.Lin	7H3S(4*7.5)(7.52) 7H046RB4

TEMWELL CORPORATION

Performance-K3BT-415M-20M

200904138CD



CH1 MARKER LIST

Marker	Frequency (MHz)	Magnitude (dB)
1	415.000	-31.328
2	427.916	-4.419
3	404.583	-6.407
4	365.000	0.023
5	465.000	0.027

CH2 MARKER LIST

Marker	Frequency (MHz)	Magnitude (dB)
1	415.000	-1.719
2	427.916	-4.733
3	404.583	-4.709
4	365.000	-15.799
5	465.000	-33.275