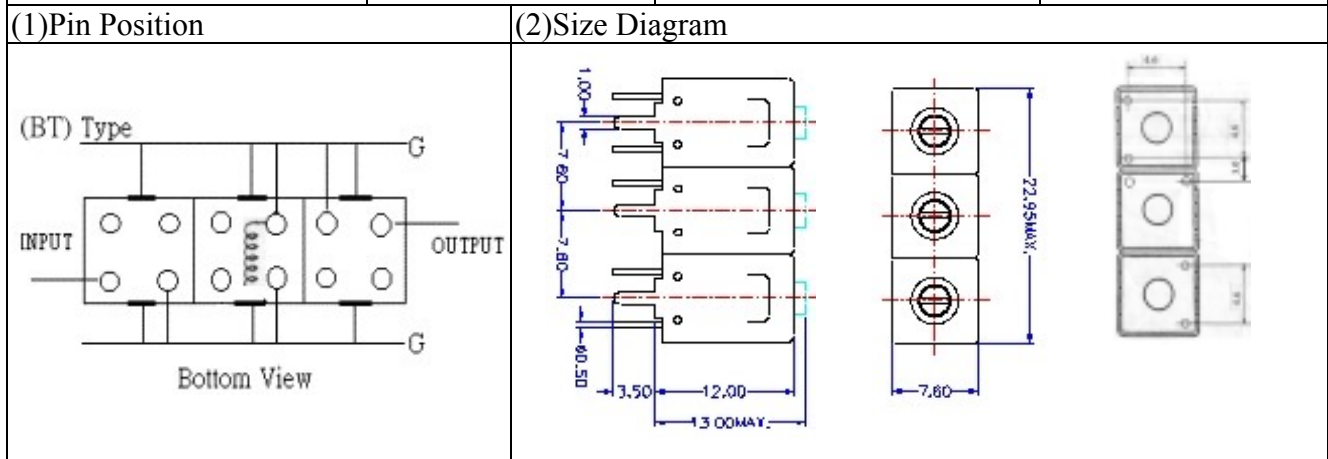


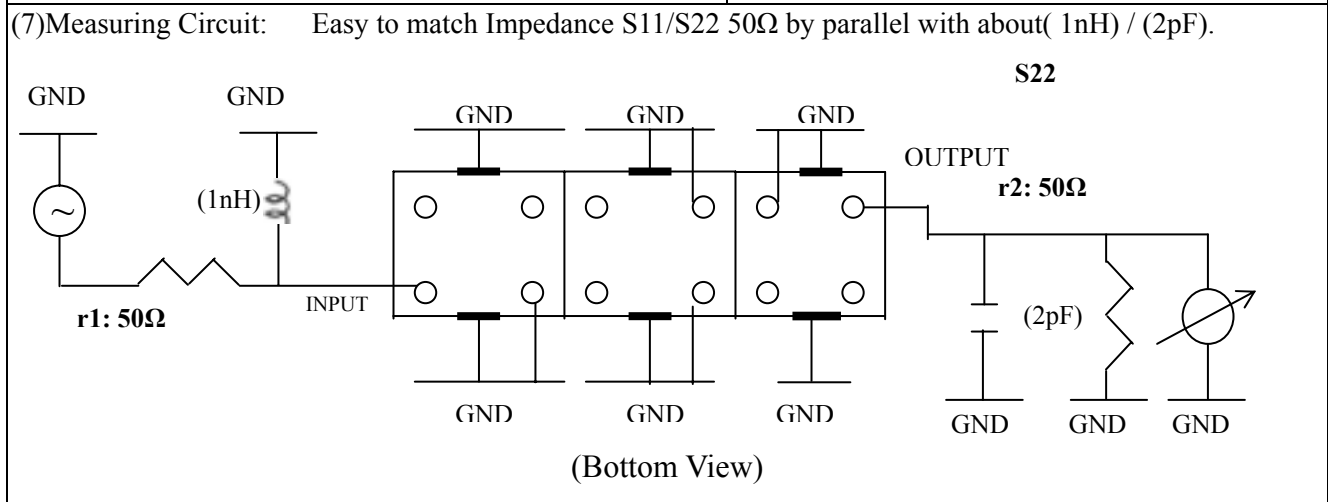
# VHF UHF Helical Filter Specification Sheet

Customer Name		Temwell's Part No.	K3BT-415M-16M
Approval No. /dated	20402072DC	Customer's Part No.	
Work Instruction No.	20402072DC	Date	Feb.27.2004



(3) Electric Characteristic	
Item	Specify
Center Freq.(Fo ) +/- 0.5 %	415 MHz
Insertion Loss	Typ. 3.0 dB
-3 dB Bandwidth	Typ. 16 MHz
Sensitivity (Attenuation )	Fo - 50 MHz Typ. 40 dBc
	Fo + 50 MHz Typ. 30 dBc
	Fo - ( )MHz Typ. dBc
	Fo +( )MHz Typ. dBc
Return Loss	Min. 12 dB
Ripple	< 1 dB
Impedance	In / Out : 50 Ω
(4) Torque for Tuning Screw	> 60gf cm

(5) Temperature Condition:	
Operating Temperature	0 ~ +60
Storage Temperature	20 ~ +70
(6) Input Power	> 1Watt

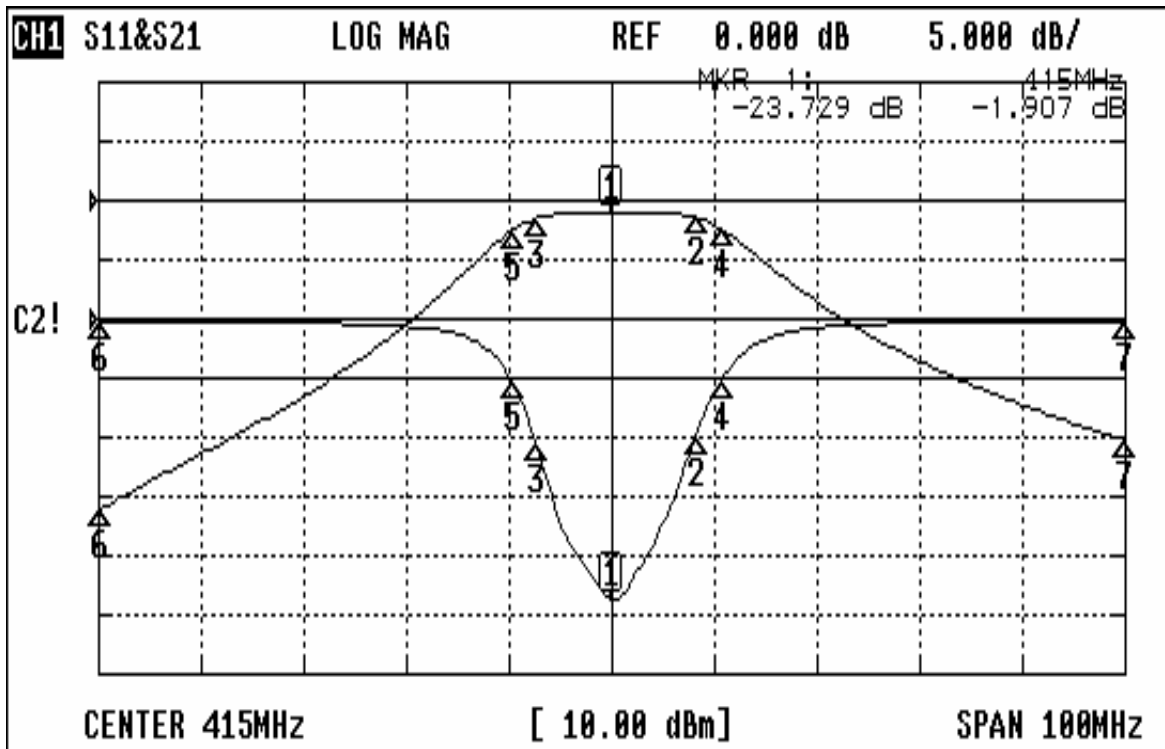


Approval	Supervisor	Designer	Aperture size
	C.S.Chang	Enlan	7H3(4*7.5)(7.4)F

TEMWELL CORPORATION

# Performance- K3BT-415M-16M

20402072DC



## CH1 MARKER LIST

1:	415.000MHz	-23.729 dB	-1.907 dB
2:	423.250MHz	-9.903 dB	-2.945 dB
3:	407.750MHz	-10.615 dB	-2.960 dB
4:	425.750MHz	-5.120 dB	-4.912 dB
5:	405.416MHz	-5.298 dB	-4.953 dB
6:	365.000MHz	-0.206 dB	-52.319 dB
7:	465.000MHz	-0.159 dB	-40.498 dB
8:			
9:			
10:			