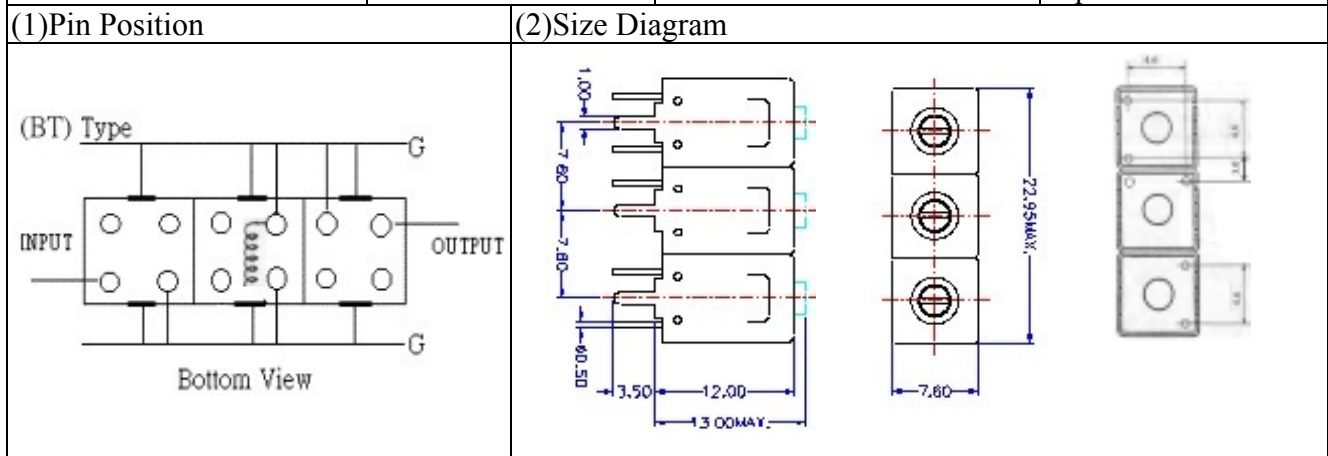
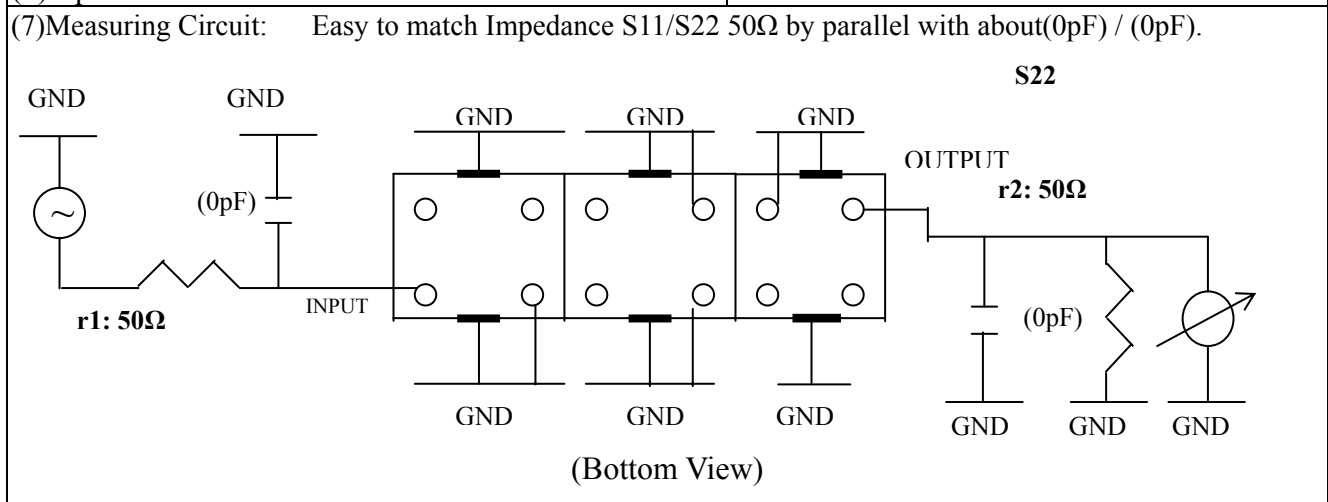


VHF UHF Helical Filter Specification Sheet

Customer Name		Temwell's Part No.	K3BT-390M-16M
Approval No. /dated	0908070CD	Customer's Part No.	K3BT 390M
Work Instruction No.	200908070CD	Date	Sep.09.2009



(3) Electric Charasteric	
Item	Specify
Center Freq.(Fo) +/- 0.5 %	390 MHz
Insertion Loss	Typ. 3.0 dB
-3 dB Bandwidth	Typ. 16 MHz
Sensitivity (Attenuation)	Fo - 50 MHz Typ. 40 dBc
	Fo + 50 MHz Typ. 30 dBc
	Fo - ()MHz Typ. dBc
	Fo +()MHz Typ. dBc
Return Loss	Min. 12 dB
Ripple	< 1 dB
Impedance	In / Out : 50 Ω
(4) Torque for Tuning Screw	> 100gf cm
(5) Temperature Condition:	
Operating Temperature	0 ~ +60
Storage Temperature	-20 ~ +70
(6) Input Power	> 1Watt



Approval	Supervisor	Designer	Aperture size
C.Y.Chang	C.K.Chang	F.L.Lai	7H3S(4*6.5)(6.51)F 7H046RB4
TEMWELL CORPORATION			

