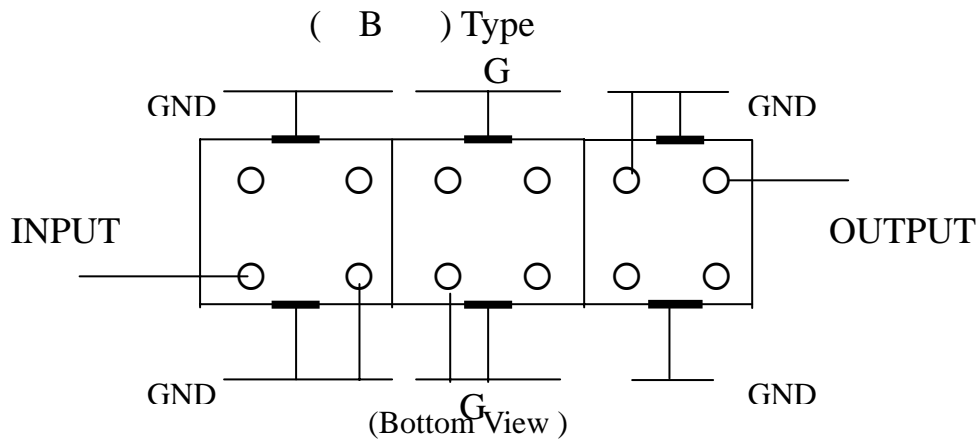


# VHF UHF Helical Filter Specification Sheet

Customer Name		Temwell's Part No.	K3B-480M-10M
Approval No. /dated	20402008DC	Customer's Part No.	
Work Instruction No.	20402008DC	Date	Feb.10.2004
<input type="checkbox"/> Buyer Print name		<input type="checkbox"/> Temwell,s print name	
Case Name	7H3	Case size : ( mm)	
Terminator Type	B		

\* Pin Position (Pin Connection) diagram as following



### (3) Electric Character

Item	Specify
Center Freq.(Fo ) +/- 0.5 %	480 MHz
Tunable Range:	480±10 MHz
Insertion Loss	Typ. 3.0 dB
-3 dB Bandwidth	Typ. 10 MHz
Sensitivity (Attenuation)	Fo -(50) MHz Typ. 43 dB
	Fo +(50) MHz Typ. 31 dB
	Fo - ( )MHz Typ. dB
	Fo +( )MHz Typ. dB
Return Loss	Min. 12 dB
Ripple	< 1 dB
Impedance	In / Out : 50 Ω

### 4. Temperature Condition:

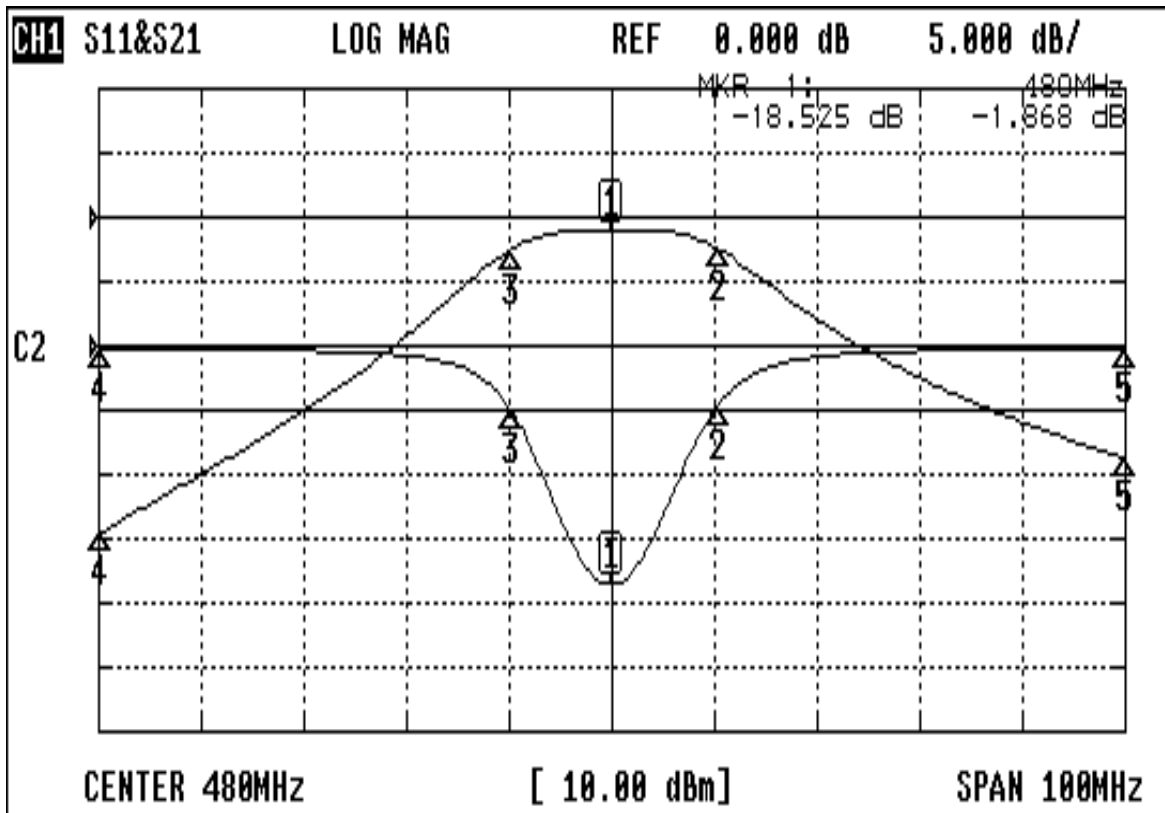
Operating Temperature	0 ~ +60
Storage Temperature	-20 ~ +70

Approval	Supervisor	Designer	Aperture size
C. Y.Chang	C. S.Chang	C. S.Chang	7H3,4*6.5(4*6.57) 7H046LB4 聚 3

**TEMWELL CORPORATION**

# Performance-K3B-480M-10M

20402008DC



## CH1 MARKER LIST

1:	480.000MHz	-18.525 dB	-1.868 dB
2:	490.333MHz	-4.746 dB	-4.859 dB
3:	470.250MHz	-4.974 dB	-4.871 dB
4:	430.000MHz	-0.212 dB	-49.163 dB
5:	530.000MHz	-0.215 dB	-37.500 dB
6:			
7:			
8:			
9:			
10:			