

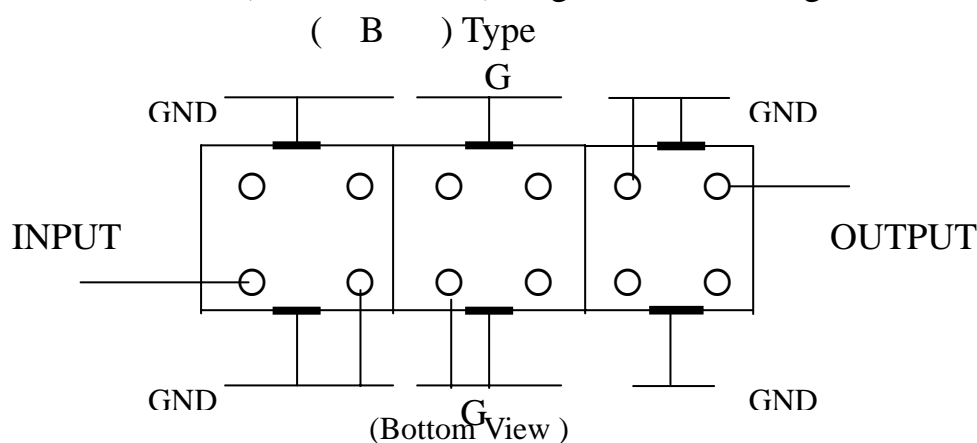


Customized UHF SHF Filter & Miniature Duplexer

VHF UHF Helical Filter Specification Sheet

Customer Name		Temwell's Part No.	K3B-400M-10M
Approval No. /dated	20402004DC	Customer's Part No.	
Work Instruction No.	20402004DC	Date	Feb.09.2004
<input type="checkbox"/> Buyer Print name		<input type="checkbox"/> Temwell,s print name	
Case Name	7H3	Case size : (mm)	
Terminator Type	B		

* Pin Position (Pin Connection) diagram as following



(3) Electric Character

Item	Specify
Center Freq.(Fo) +/- 0.5 %	400 MHz
Tunable Range:	400±10 MHz
Insertion Loss	Typ. 3.0 dB
-3 dB Bandwidth	Typ. 10 MHz
Sensitivity (Attenuation)	Fo -(50) MHz Typ. 49 dB
	Fo +(50) MHz Typ. 37 dB
	Fo -()MHz Typ. dB
	Fo +()MHz Typ. dB
Return Loss	Min. 12 dB
Ripple	< 1 dB
Impedance	In / Out : 50 Ω

4. Temperature Condition:

Operating Temperature	0 ~ +60
Storage Temperature	-20 ~ +70

Approval	Supervisor	Designer	Aperture size
C.Y.Chang	C.S.Chang	C.S.Chang	7H3,4*6.5(4*6.59) 7H046LB4 聚 3

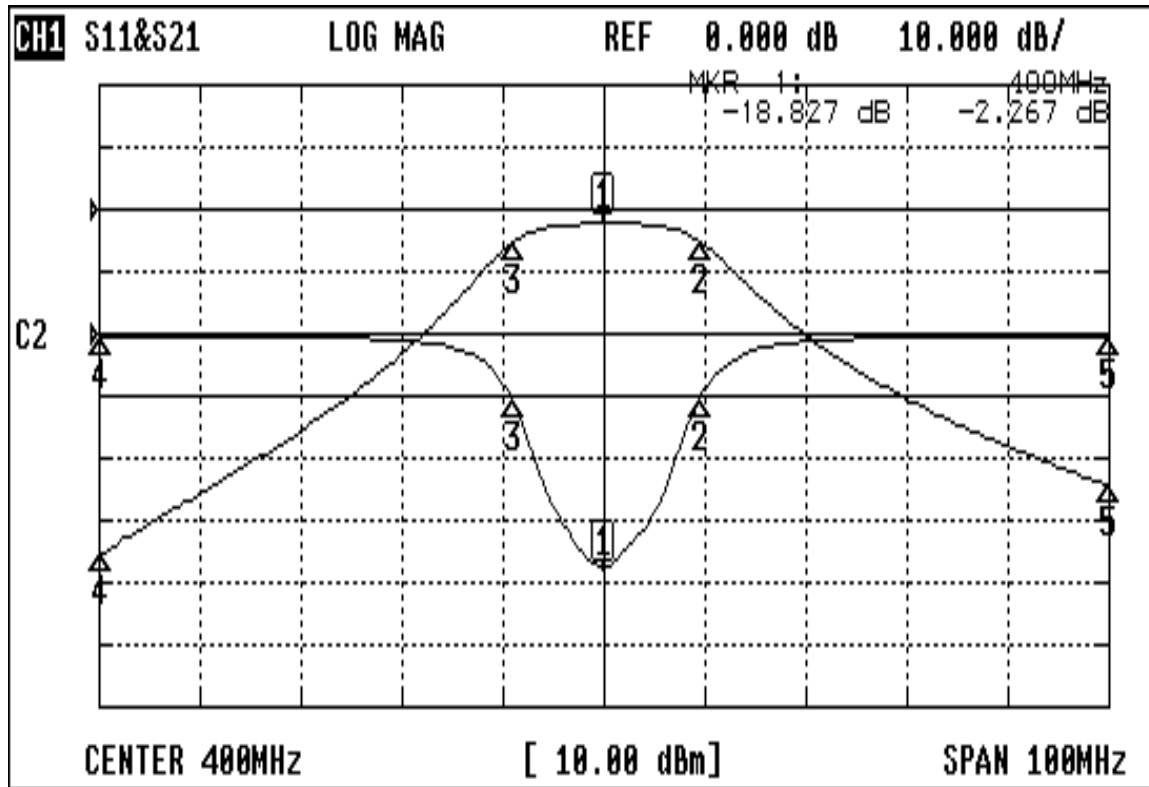
TEMWELL CORPORATION

TEMWELL

Form11-7H3B Vession C

Performance-K3B-400M-10M

20402004DC



CH1 MARKER LIST

1:	400.000MHz	-18.827 dB	-2.267 dB
2:	409.583MHz	-5.218 dB	-5.222 dB
3:	391.083MHz	-5.464 dB	-5.252 dB
4:	350.000MHz	-0.153 dB	-55.217 dB
5:	450.000MHz	-0.168 dB	-44.428 dB
6:			
7:			
8:			
9:			
10:			