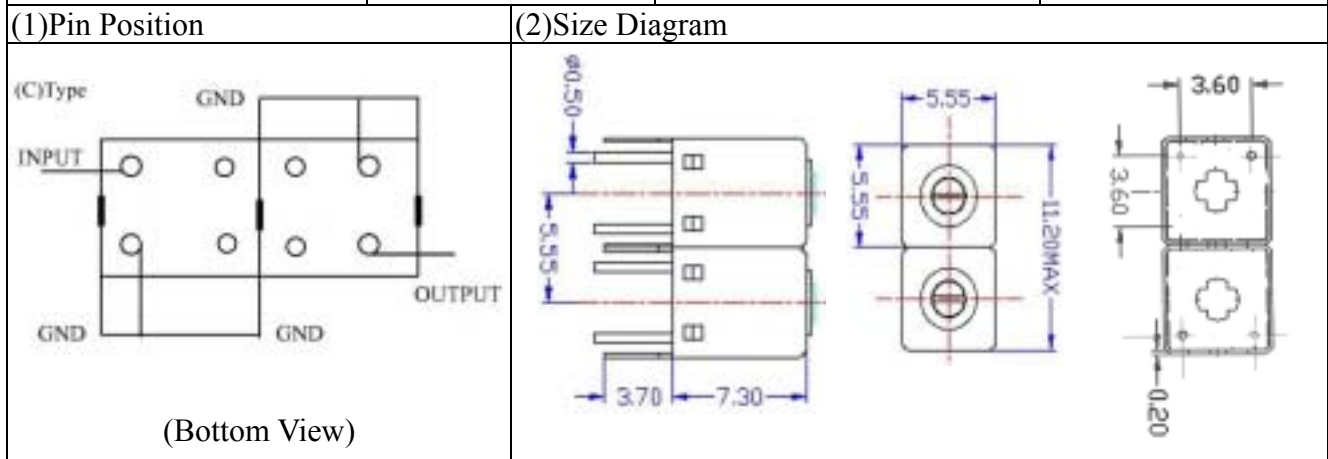
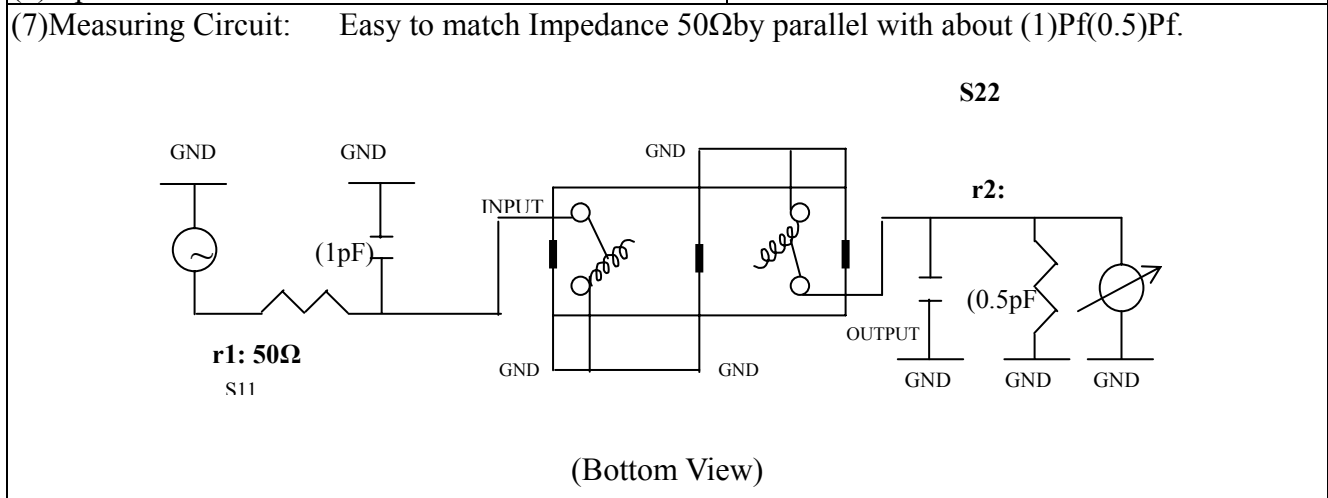


# VHF UHF Helical Filter Specification Sheet

Customer Name		Temwell's Part No.	K2RC-1225M-35M
Approval No. /dated	20402136DC	Customer's Part No.	
Work Instruction No.	20402136DC	Date	Mar.17.2004



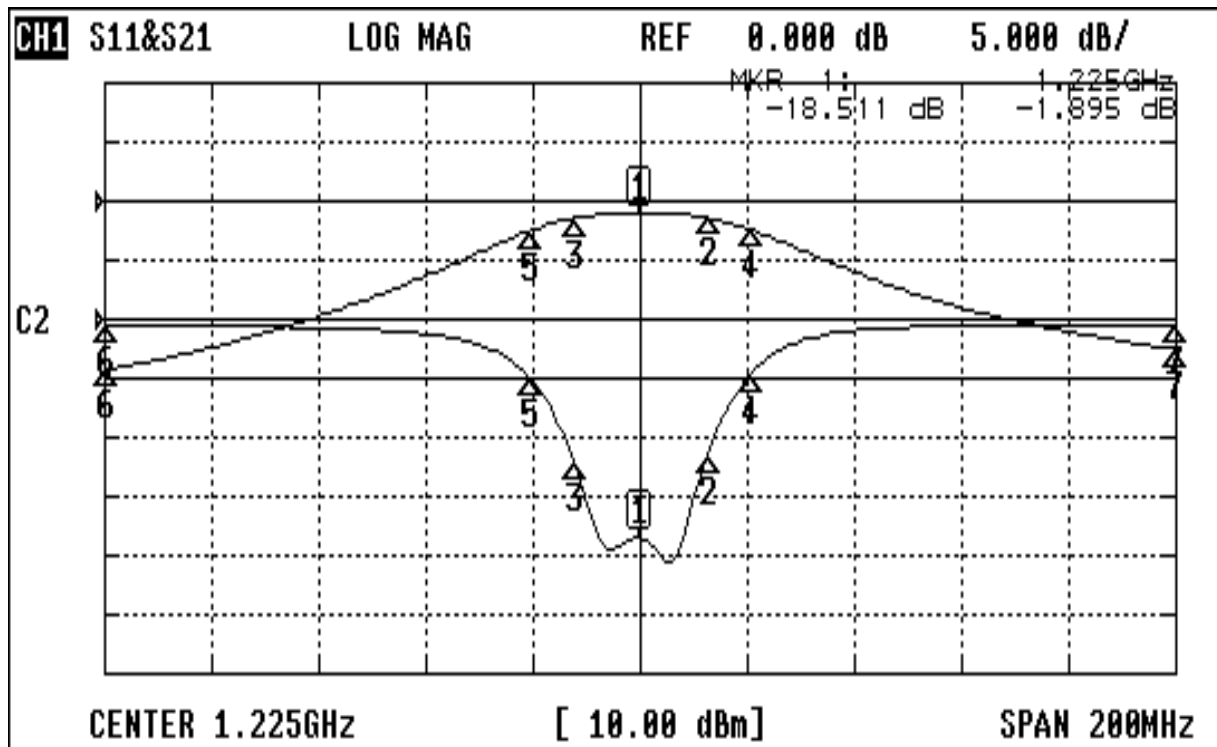
(3)Electric Charasteric		Item	Specify
Center Freq.(Fo ) +/- 0.5 %			1225 MHz
Tunable Range: Fo±5MHz Fo±10MHz Fo±15MHz			1225±10 MHz
Insertion Loss		Typ..	3.5 dB
-3 dB Bandwidth		Typ.	35 MHz
Sensitivity (Attenuation )	Fo - 100 MHz	Typ.	20 dB
	Fo + 100 MHz	Typ.	20 dB
	Fo - ( )MHz	Typ.	dBc
	Fo +( )MHz	Typ.	dBc
Return Loss		Min.	12 dB
Ripple			< 1 dB
Impedance			In / Out : 50 Ω
(4)Torque for Tuning Screw			> 60gf cm
(5)Temperature Condition:			
Operating Temperature			0 ~ +60
Storage Temperature			-20 ~ +70
(6)Input Power			> 1Watt



Approval	Supervisor	Designer	Aperture size
C.Y. CHANG	C.S.Chang	Enlan	5R2(3.8*4.0)(4.2) 5HW024RB3
TEMWELL CORPORATION			

# Performance-K2RC-1225M-35M

## 20402136DC



### CH1 MARKER LIST

1:	1.225 000GHz	-18.535 dB	-1.892 dB
2:	1.237 666GHz	-11.613 dB	-2.887 dB
3:	1.212 833GHz	-12.085 dB	-2.820 dB
4:	1.245 666GHz	-4.713 dB	-4.881 dB
5:	1.204 833GHz	-5.107 dB	-4.853 dB
6:	1.125 000GHz	-0.476 dB	-28.619 dB
7:	1.325 000GHz	-0.524 dB	-25.106 dB
8:			
9:			
10:			