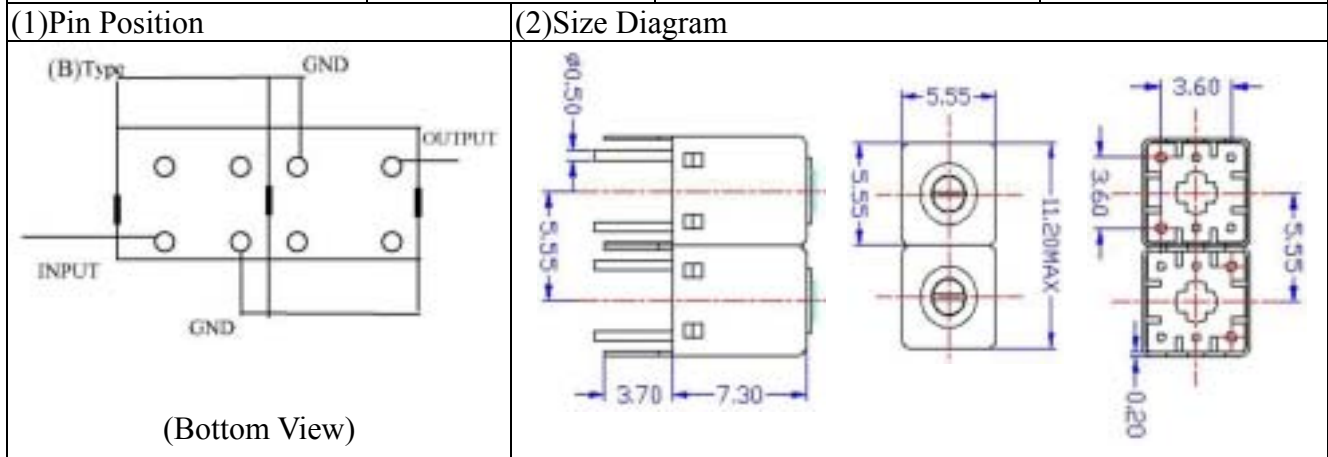
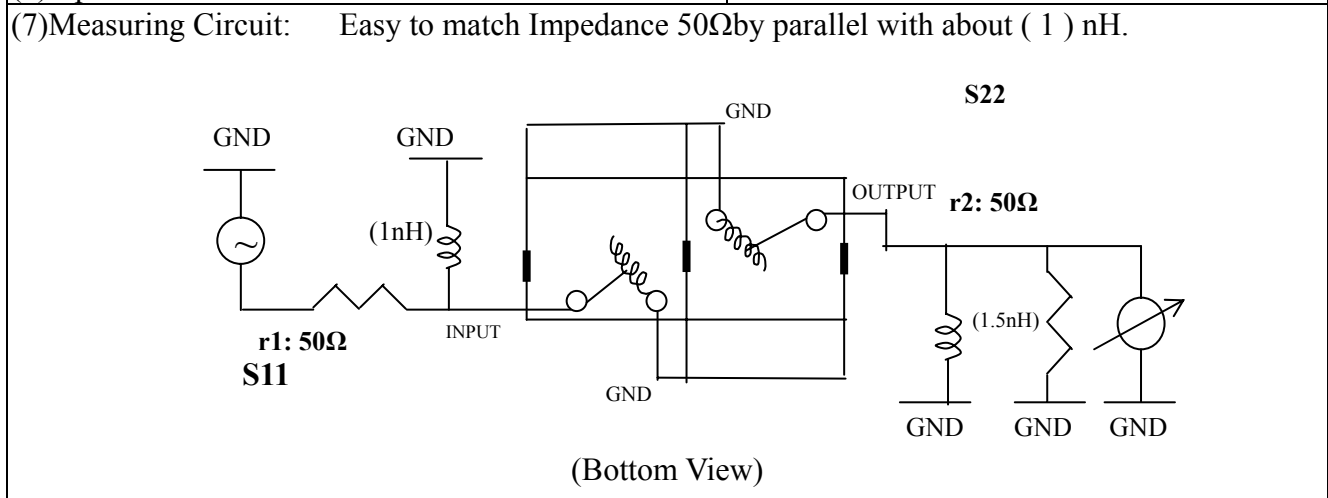


VHF UHF Helical Filter Specification Sheet

Customer Name		Temwell's Part No.	K2RB-959M-25M
Approval No. /dated	20402132DC	Customer's Part No.	
Work Instruction No.	20402132DC	Date	Mar.09.2004



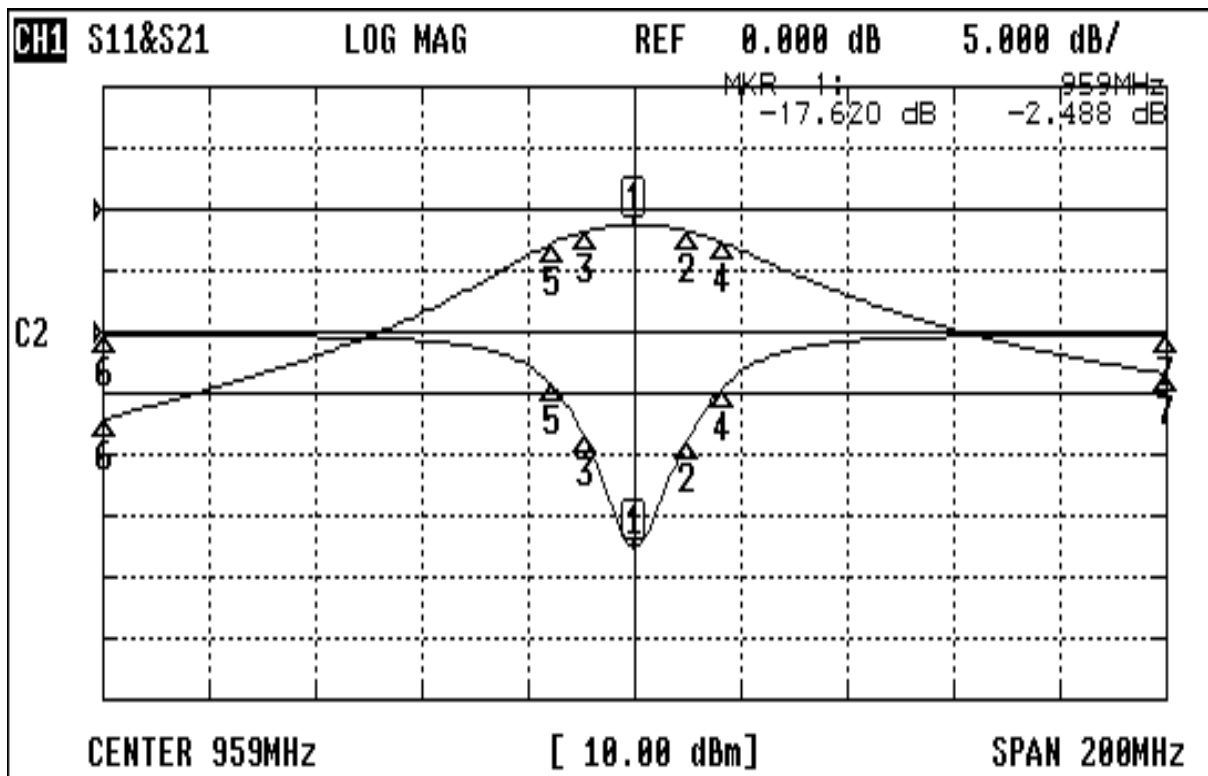
(3) Electric Characteristic		Item	Specify
Center Freq.(Fo) +/- 0.5 %			959 MHz
Tunable Range: Fo±5MHz Fo±10MHz Fo±15MHz			959±10 MHz
Insertion Loss		Typ.	3.5 dB
-3 dB Bandwidth		Typ.	25 MHz
Sensitivity (Attenuation)	Fo - 100 MHz	Typ.	25 dB
	Fo + 100 MHz	Typ.	20 dB
	Fo - ()MHz	Typ.	dB
	Fo +()MHz	Typ.	dB
Return Loss		Min.	12 dB
Ripple			< 1 dB
Impedance			In / Out : 50 Ω
(4) Torque for Tuning Screw			> 60gf cm
(5) Temperature Condition:			
Operating Temperature			0 ~ +60
Storage Temperature			-20 ~ +70
(6) Input Power			> 1Watt



Approval C.Y. CHANG	Supervisor C.S.Chang	Designer Enlan	Aperture size 5R2(3*4.0)(4.15) 5HW024RB3
TEMWELL CORPORATION			

Performance- K2RB-959M-25M

20402132DC



CH1 MARKER LIST

1:	959.000MHz	-17.629 dB	-2.491 dB
2:	969.000MHz	-8.852 dB	-3.506 dB
3:	949.666MHz	-8.499 dB	-3.527 dB
4:	975.833MHz	-4.485 dB	-5.519 dB
5:	943.500MHz	-4.338 dB	-5.539 dB
6:	859.000MHz	-0.248 dB	-34.162 dB
7:	1.059 000GHz	-0.250 dB	-26.772 dB
8:			
9:			
10:			