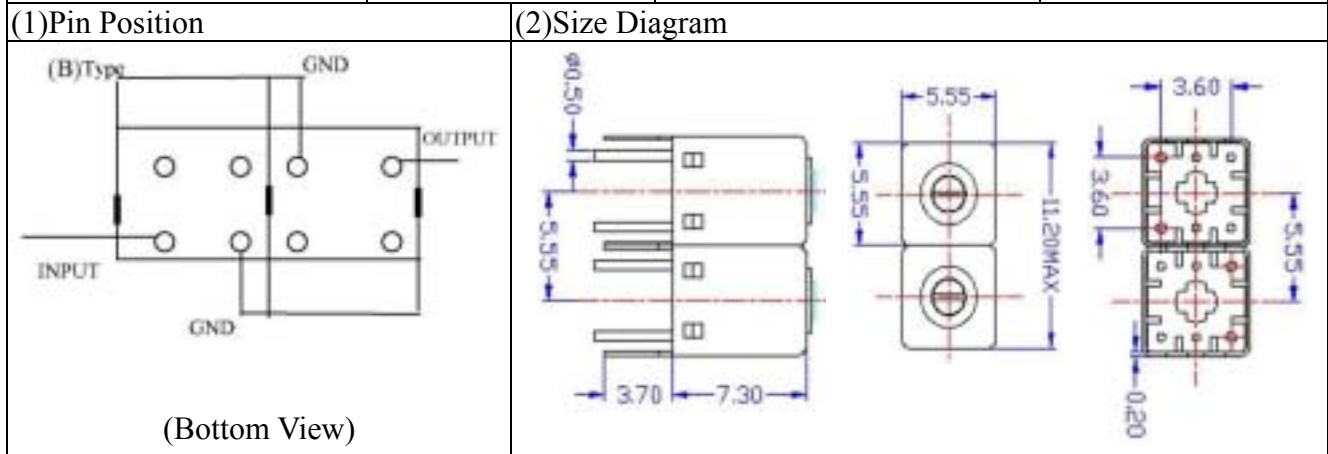


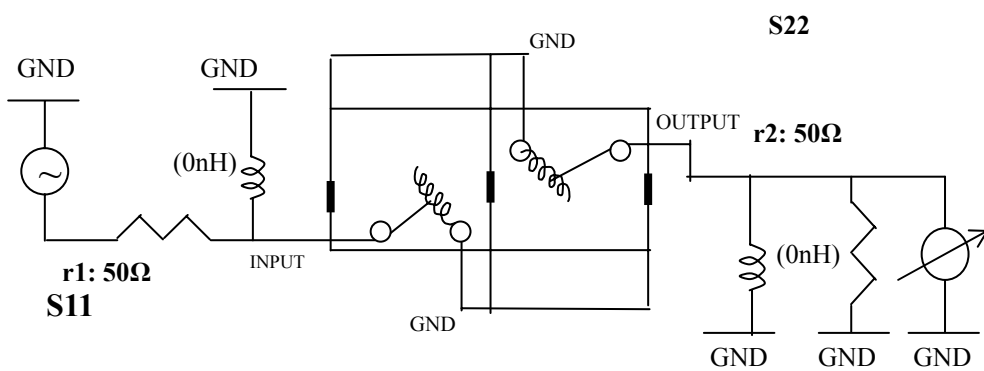
# VHF UHF Helical Filter Specification Sheet

Customer Name		Temwell's Part No.	K2RB-914M-25M
Approval No. /dated	0904131CD	Temwell's print name.	K2RB 914M
Work Instruction No.	200904131CD	Date	Jun.12.2009



(3) Electric Charasteric		Item	Specify
		Center Freq.(Fo ) +/- 0.5 %	914 MHz
		Insertion Loss	Typ. 3.0 dB
		-3 dB Bandwidth	Typ. 25 MHz
Sensitivity (Attenuation )	Fo - 100 MHz	Typ. 30 dBc	
	Fo + 100 MHz	Typ. 23 dBc	
	Fo - ( )MHz	Typ. dBc	
	Fo +( )MHz	Typ. dBc	
		Return Loss	Min. 12 dB
		Ripple	< 1 dB
		Impedance	In / Out : 50 Ω
(4) Torque for Tuning Screw			> 60gf cm
(5) Temperature Condition:			
Operating Temperature			0 ~ +60
Storage Temperature			-20 ~ +70
(6) Input Power			> 0.5Watt

(7) Measuring Circuit: Easy to match Impedance S11/S22 50Ω by parallel with about ( 0nH)/(0nH).



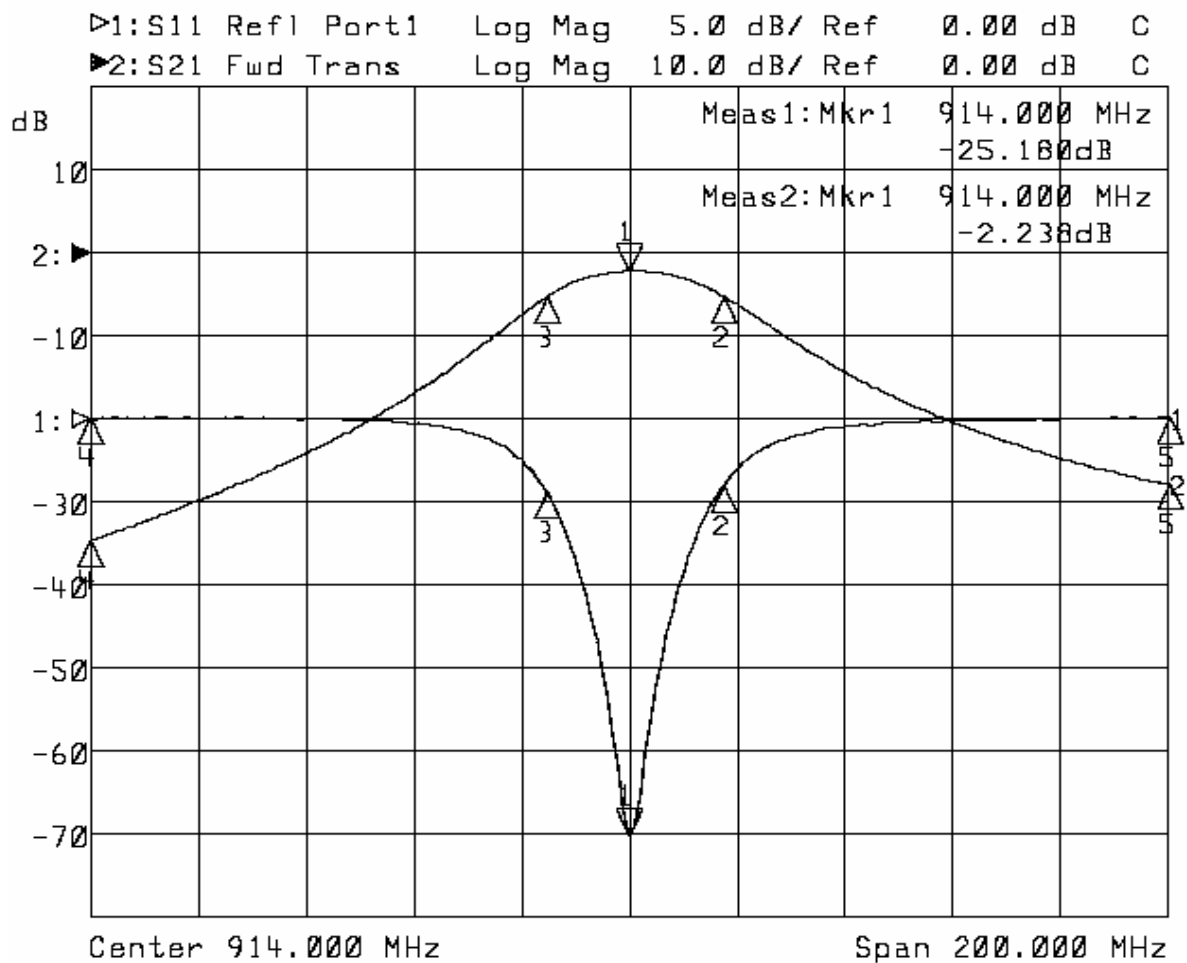
(Bottom View)

Approval C.Y.Chang	Supervisor C.K.Chang	Designer Y.M.Kang	Aperture size 5R2S(3.8*3.7)(3.79) 5HW024RB3
-----------------------	-------------------------	----------------------	---

TEMWELL CORPORATION

# Performance-K2RB-914M-25M

## 200904131CD



1: Mkr (MHz)	dB	2: Mkr (MHz)	dB
1> 914.0000	-25.180	1> 914.0000	-2.238
2: 931.6000	-3.938	2: 931.6000	-5.250
3: 898.7333	-4.423	3: 898.7333	-5.260
4: 814.0000	0.121	4: 814.0000	-34.480
5: 1014.0000	0.086	5: 1014.0000	-27.862