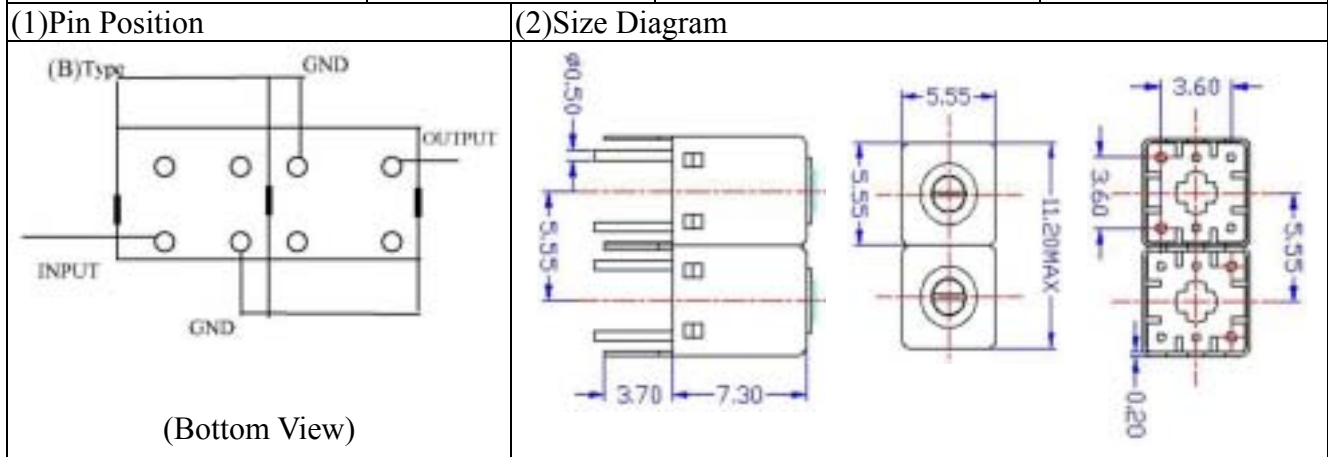


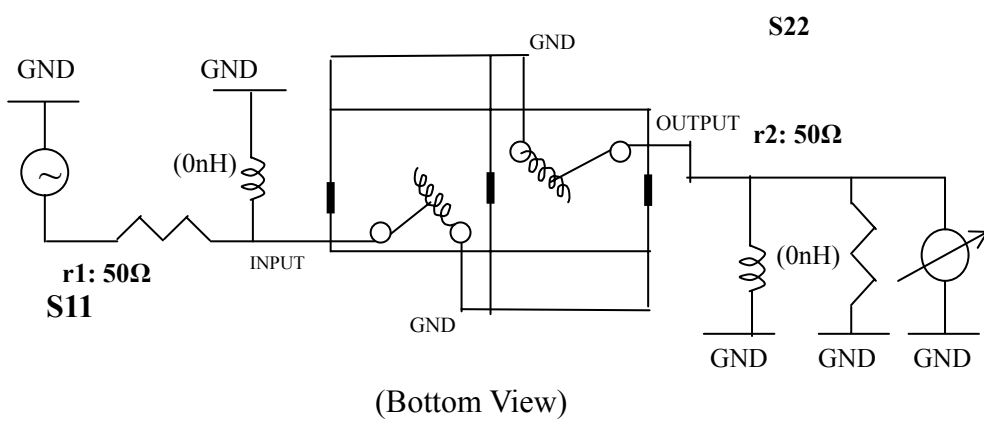
VHF UHF Helical Filter Specification Sheet

Customer Name		Temwell's Part No.	K2RB-880M-20M
Approval No. /dated	20407014DC	Customer's Part No.	
Work Instruction No.	20407014DC	Date	Jul.12.2004



Item		Specify	
Center Freq.(Fo) +/- 0.5 %		880	MHz
Tunable Range: Fo±5MHz <input type="checkbox"/> Fo±10MHz <input checked="" type="checkbox"/> Fo±15MHz		880±10	MHz
Insertion Loss		Typ. 3.5	dB
-3 dB Bandwidth		Typ. 20	MHz
Sensitivity (Attenuation)	Fo - 100 MHz	Typ. 36	dBc
	Fo + 100 MHz	Typ. 27	dBc
	Fo - ()MHz	Typ.	dBc
	Fo +()MHz	Typ.	dBc
Return Loss		Min. 12	dB
Ripple		< 1 dB	
Impedance		In / Out : 50 Ω	
(4) Torque for Tuning Screw		> 60gf cm	
(5) Temperature Condition:			
Operating Temperature		0 ~ +60	
Storage Temperature		-20 ~ +70	
(6) Input Power		> 1Watt	

(7) Measuring Circuit: Easy to match Impedance 50Ω/75Ω by parallel with about () pF.

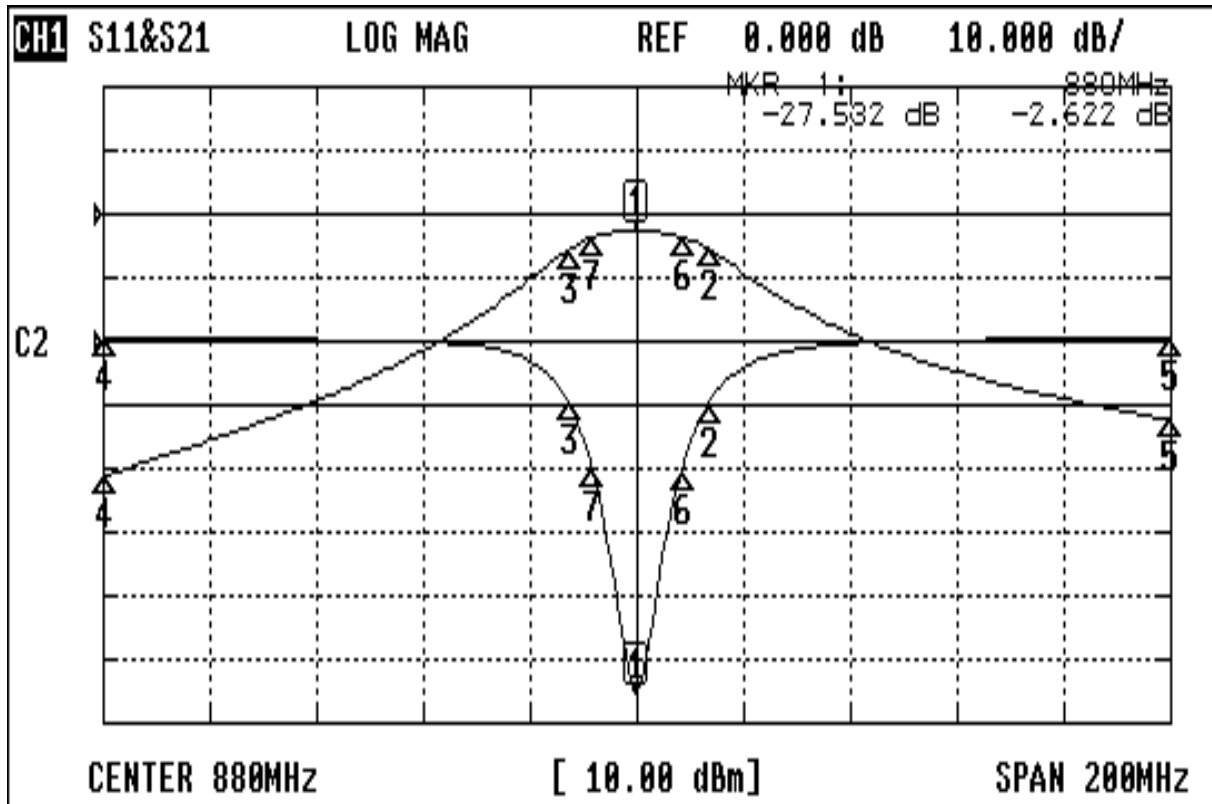


Approval	Supervisor	Designer	Aperture size
C.Y. CHANG	C.S.Chang	J.F.Lin	5R2S,3.8*3.7(3.83) 5HW024RB3

TEMWELL CORPORATION

Performance-K2RB-880M-20M

20407014DC



CH1 MARKER LIST

1:	880.000MHz	-27.532 dB	-2.622 dB
2:	893.500MHz	-4.874 dB	-5.614 dB
3:	867.333MHz	-4.824 dB	-5.610 dB
4:	780.000MHz	0.168 dB	-41.102 dB
5:	980.000MHz	0.271 dB	-32.347 dB
6:	888.500MHz	-10.224 dB	-3.622 dB
7:	871.833MHz	-10.059 dB	-3.658 dB
8:			
9:			
10:			