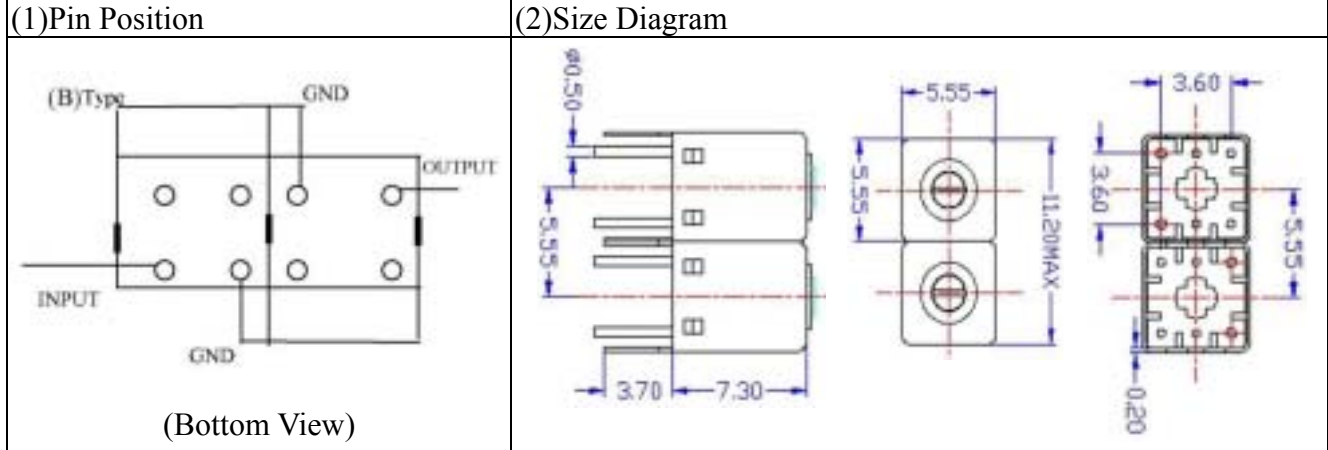


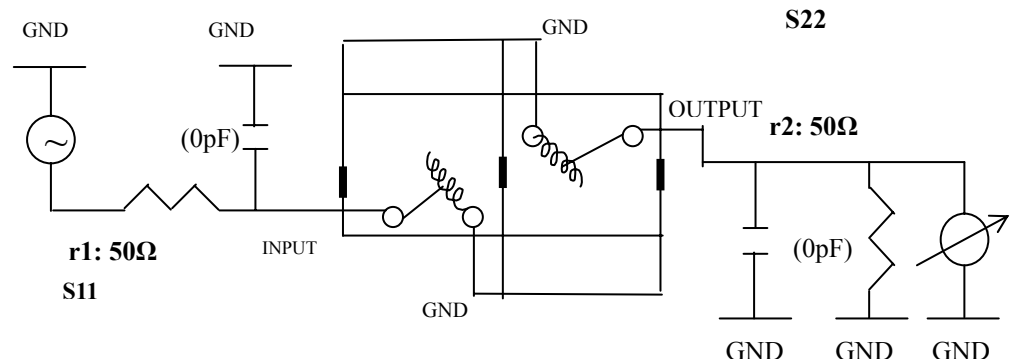
# VHF UHF Helical Filter Specification Sheet

Customer Name		Temwell's Part No.	K2RB-670M-20M
Approval No. /dated	20402131DC	Customer's Part No.	
Work Instruction No.	20402131DC	Date	Mar.04.2004



(3) Electric Characteristic	
Item	Specify
Center Freq.(Fo ) +/- 0.5 %	670 MHz
Tunable Range: <input checked="" type="checkbox"/> Fo±5MHz    Fo±10MHz    Fo±15MHz	670±5 MHz
Insertion Loss	Typ. 3.0 dB
-3 dB Bandwidth	Typ. 20 MHz
Sensitivity (Attenuation )	Fo - 100 MHz    Typ. 30 dB
	Fo + 100 MHz    Typ. 25 dB
	Fo - ( )MHz    Typ. dB
	Fo +( )MHz    Typ. dB
Return Loss	Min. 12 dB
Ripple	< 1 dB
Impedance	In / Out : 50 Ω
(4) Torque for Tuning Screw	
> 60gf cm	
(5) Temperature Condition:	
Operating Temperature	0 ~ +60
Storage Temperature	20 ~ +70
(6) Input Power	
> 1Watt	

(7) Measuring Circuit: Easy to match Impedance 50Ω by parallel with about ( 0 ) pF.

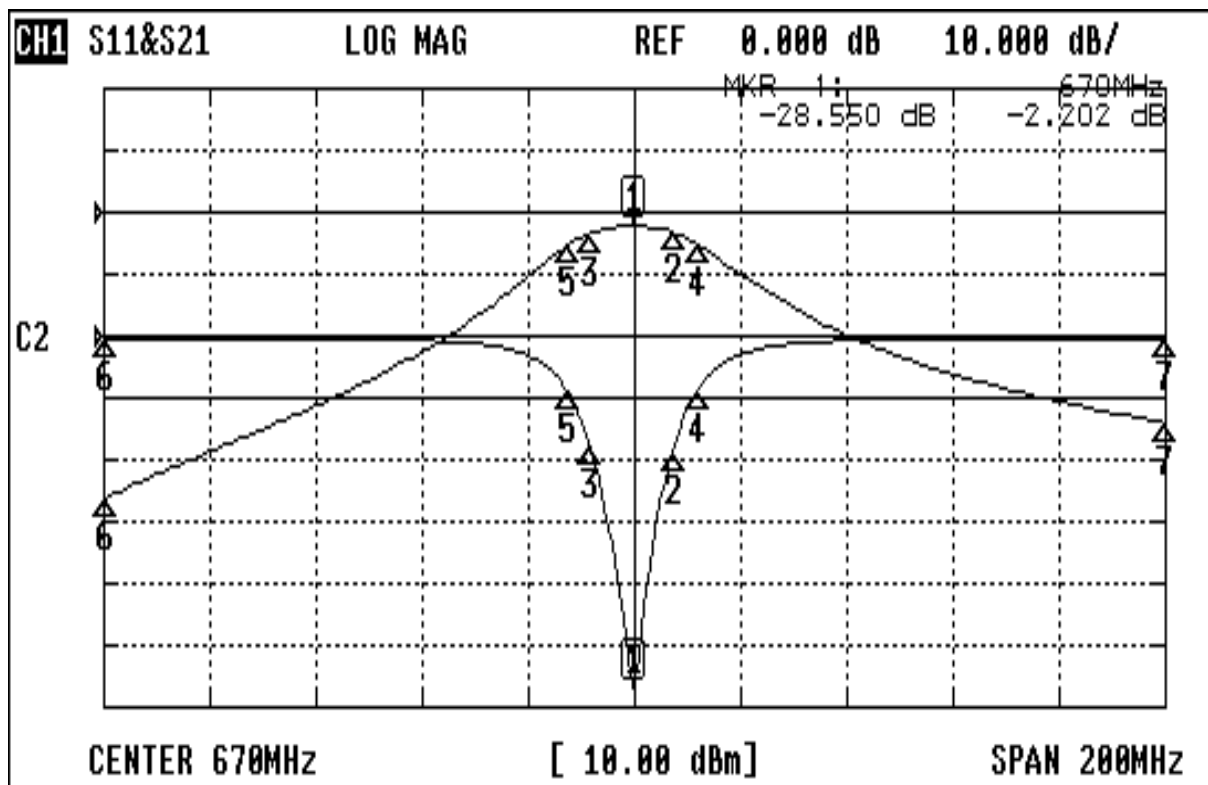


Approval C. Y. CHANG	Supervisor C.S.Chang	Designer Enlan	Aperture size 5R2(3*3.5)(3*3.65) 5HW024RB3
-------------------------	-------------------------	-------------------	--

TEMWELL CORPORATION

# Performance-K2RB-670M-20M

## 20402131DC



### CH1 MARKER LIST

1:	670.000MHz	-28.550 dB	-2.202 dB
2:	677.333MHz	-9.298 dB	-3.269 dB
3:	661.833MHz	-9.035 dB	-3.271 dB
4:	682.000MHz	-4.427 dB	-5.265 dB
5:	657.500MHz	-4.476 dB	-5.286 dB
6:	570.000MHz	-0.141 dB	-46.218 dB
7:	770.000MHz	-0.167 dB	-34.039 dB
8:			
9:			
10:			