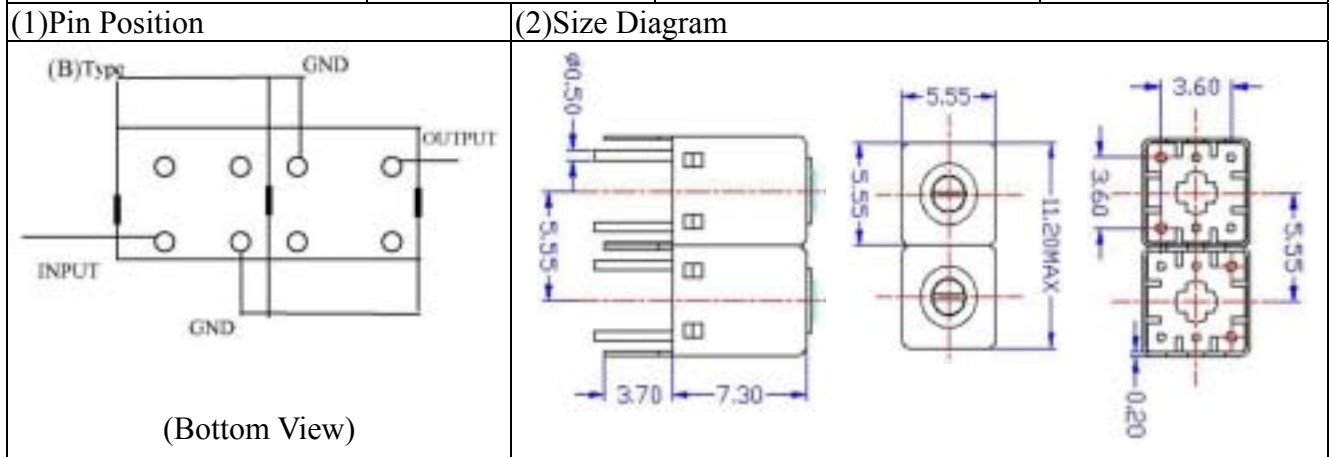
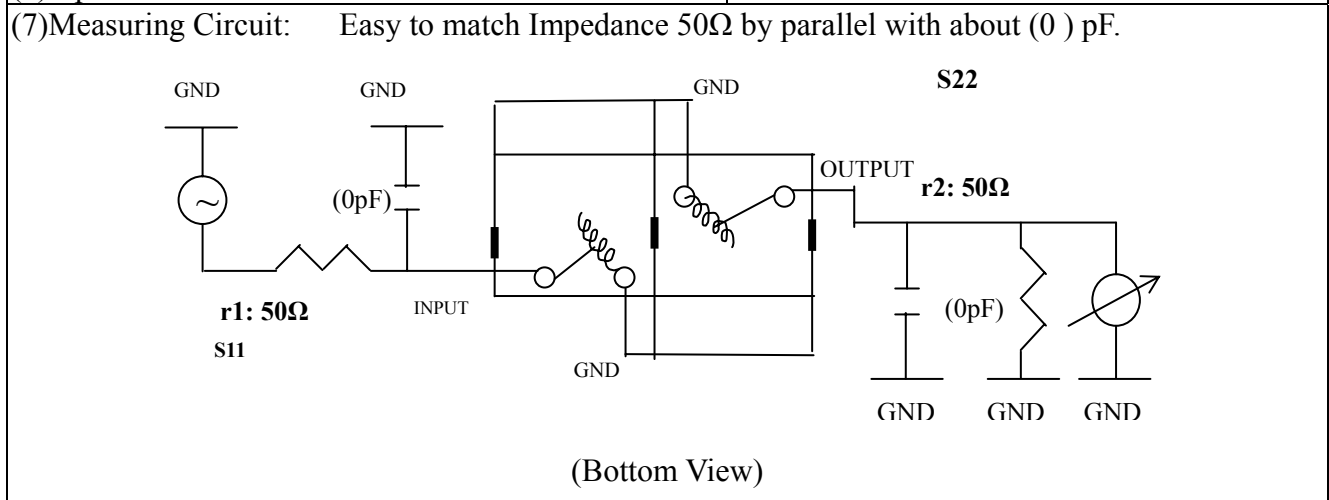


# VHF UHF Helical Filter Specification Sheet

Customer Name		Temwell's Part No.	K2RB-625M-14M
Approval No. /dated	0907072CD	Temwell's print name.	
Work Instruction No.	200907072CD	Date	Jul.28.2009



(3) Electric Characteristic	
Item	Specify
Center Freq.(Fo) +/- 0.5 %	625 MHz
Insertion Loss	Typ. 3.0 dB
-3 dB Bandwidth	Typ. 14 MHz
Sensitivity (Attenuation)	Fo - 50 MHz Typ. 20 dBc
	Fo + 50 MHz Typ. 16 dBc
	Fo - ( )MHz Typ. dBc
	Fo +( )MHz Typ. dBc
Return Loss	Min. 12 dB
Ripple	< 1 dB
Impedance	In / Out : 50 Ω
(4) Torque for Tuning Screw	> 60gf cm
(5) Temperature Condition:	
Operating Temperature	0 ~ +60
Storage Temperature	-20 ~ +70
(6) Input Power	>0.5Watt



Approval	Supervisor	Designer	Aperture size
C.Y.Chang	C.K.Chang	W.W.Wang	5R2(3.8*3.7)(3.74) 5HW024RB3

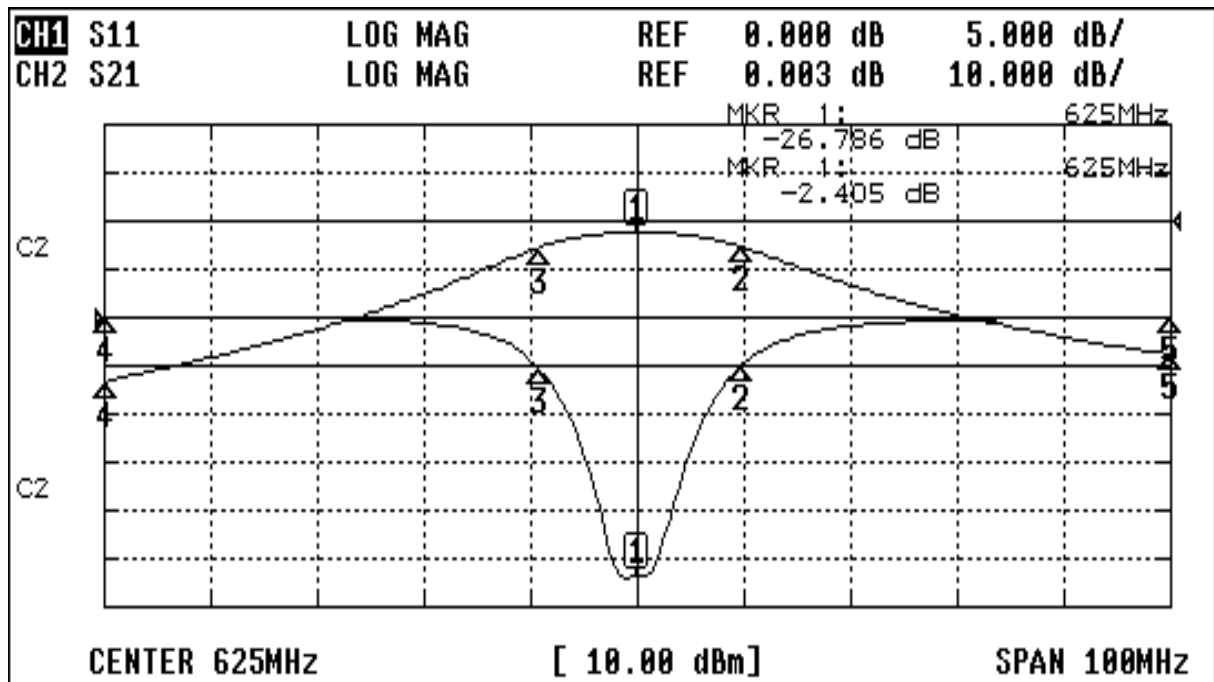
TEMWELL CORPORATION

TEMWELL

Form10-5R2B Vision D RP( w.w.w )

# Performance-K2RB-625M-14M

## 200907072CD



CH1 MARKER LIST		
1	625.000MHz	-26.772 dB
2	634.916MHz	-4.918 dB
3	615.750MHz	-5.171 dB
4	575.000MHz	0.082 dB
5	675.000MHz	0.053 dB
10		

CH2 MARKER LIST		
1	625.000MHz	-2.408 dB
2	634.916MHz	-1.413 dB
3	615.750MHz	-1.429 dB
4	575.000MHz	-33.260 dB
5	675.000MHz	-27.659 dB
10		