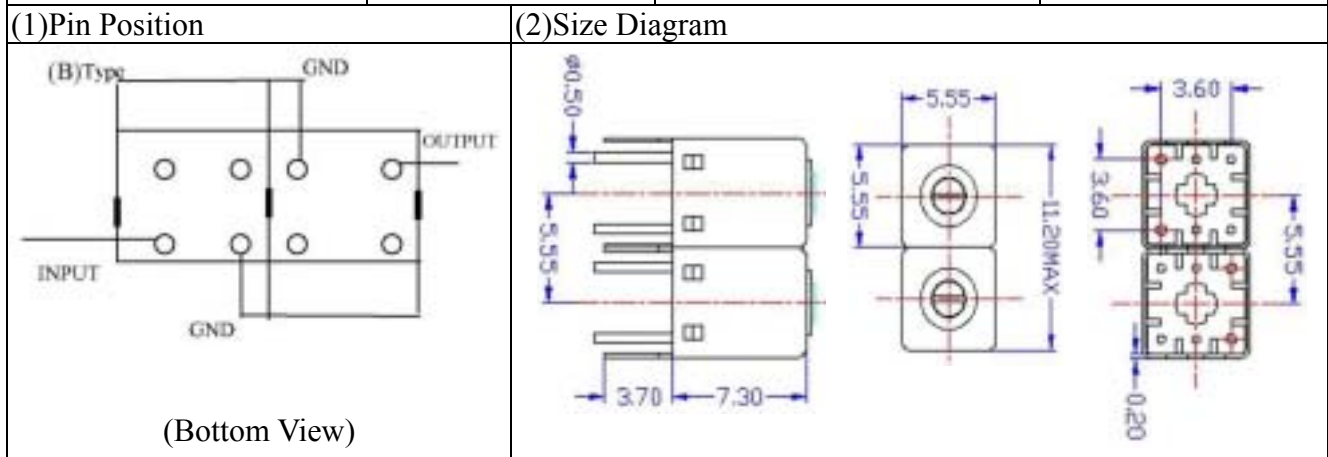


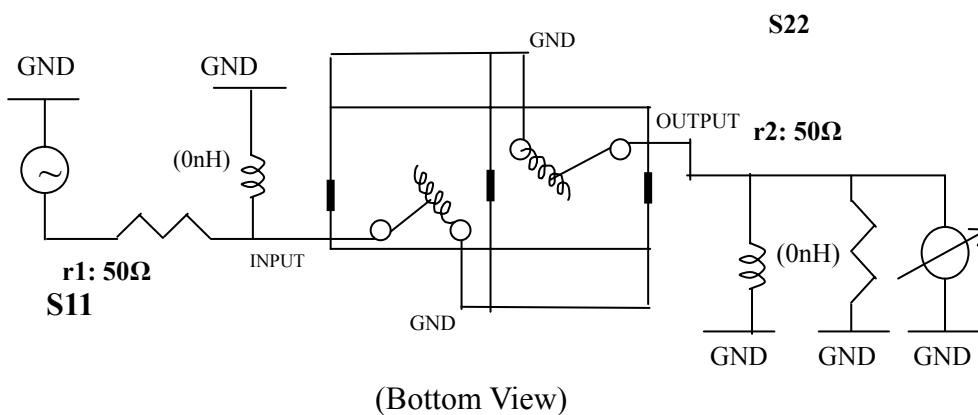
VHF UHF Helical Filter Specification Sheet

Customer Name		Temwell's Part No.	K2RB-425M-10M
Approval No. /dated	0904110CD	Temwell's print name.	K2RB 425M
Work Instruction No.	200904110CD	Date	Jun.26.2009



(3)Electric Charasteric	
Item	Specify
Center Freq.(Fo) +/- 0.5 %	425 MHz
Insertion Loss	Typ. 3.5 dB
-3 dB Bandwidth	Typ. 10 MHz
Sensitivity (Attenuation)	Fo - 50 MHz Typ. 25 dBc
	Fo +50 MHz Typ. 25 dBc
	Fo - ()MHz Typ. dBc
	Fo +()MHz Typ. dBc
Return Loss	Min. 12 dB
Ripple	< 1 dB
Impedance	In / Out : 50 Ω
(4)Torque for Tuning Screw	> 100gf cm
(5)Temperature Condition:	
Operating Temperature	0 ~ +60
Storage Temperature	-20 ~ +70
(6)Input Power	> 0.5Watt

(7)Measuring Circuit: Easy to match Impedance S11/S22 50Ω by parallel with about (0nH)/(0nH).



Approval	Supervisor	Designer	Aperture size
C.Y.Chang	C.K.Chang	Fun	5R2S(3.8*3.7)(3.79) (5HW024LB3)

TEMWELL CORPORATION

Performance-K2RB-425M-10M

200904110CD

