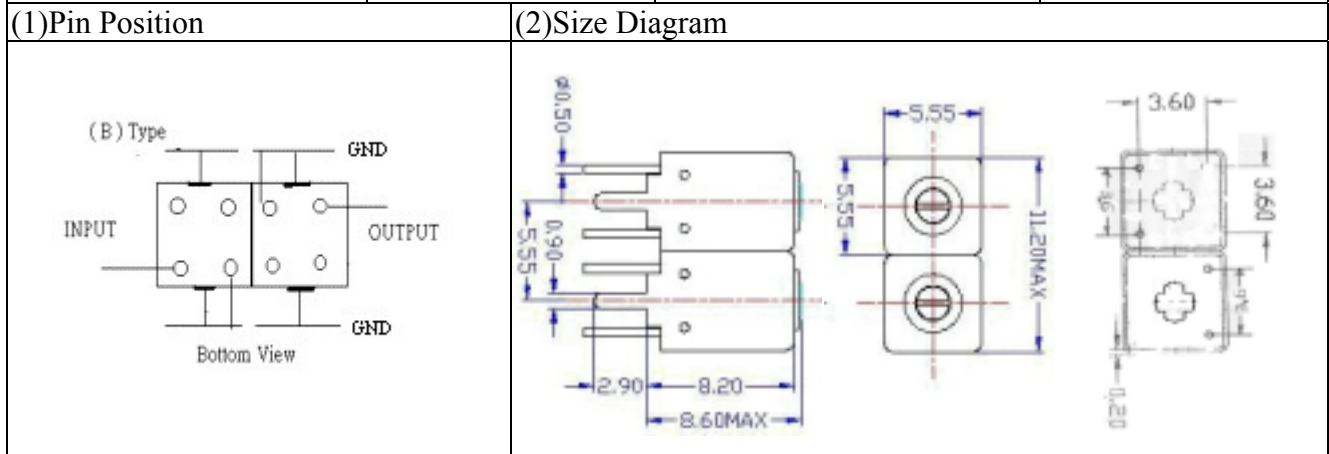


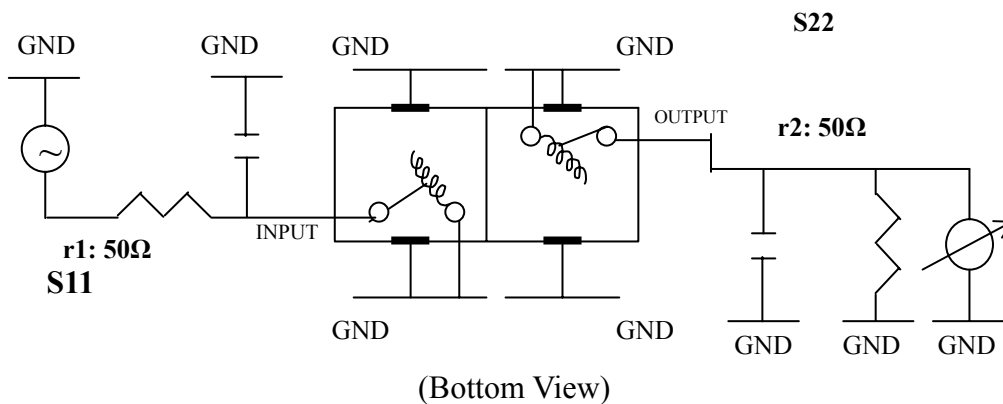
VHF UHF Helical Filter Specification Sheet

Customer Name		Temwell's Part No.	K2WB-2470M-100M
Approval No. /dated		Temwell's print Name.	K2WB 2470M
Work Instruction No.	201310082C	Date	Nov.08.2013



(3) Electric Charasteric	
Item	Specify
Center Freq.(Fo) +/- 0.5 %	2470 MHz
Insertion Loss	Typ. 3.0 dB
-3 dB Bandwidth	Typ. 100 MHz
Sensitivity (Attenuation)	Fo - 400 MHz Typ. 30 dBc
	Fo + 400 MHz Typ. 20 dBc
	Fo - ()MHz Typ. dBc
	Fo +()MHz Typ. dBc
Return Loss	Min. 12 dB
Ripple	< 1 dB
Impedance	In / Out : 50 Ω
(4) Torque for Tuning Screw > 60gf cm	
(5) Temperature Condition:	
Operating Temperature	0 ~ +60
Storage Temperature	-20 ~ +70
(6) Input Power > 0.5Watt	

(7) Measuring Circuit: Easy to match Impedance 50Ω by parallel with about (--)/(--)



Approval	Supervisor	Designer	Aperture size
C.Y.Chang	C.K.Chang	P.H.Chiang	5W2S(3.8*4.5)(4.54) 5HW046RB3.2
TEMWELL CORPORATION			

Performance-K2WB-2470M-100M

201310082C

