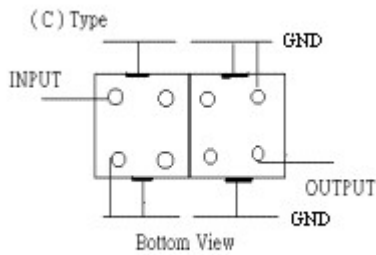


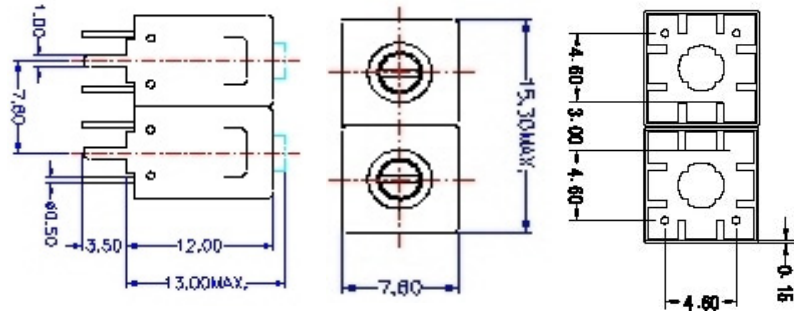
VHF UHF Helical Filter Specification Sheet

Customer Name		Temwell's Part No.	K2C-910M-20M
Approval No. /dated		Temwell's print name	K2C 910M
Work Instruction No.	201310058CD	Date	Oct.25.2013

(1) Pin Position



(2) Size Diagram



(3) Electric Characteristic

Item		Specify	
Center Freq.(Fo) +/- 0.5 %		910	MHz
Insertion Loss		Typ. 3.0	dB
-3 dB Bandwidth		Typ. 20	MHz
Sensitivity (Attenuation)	Fo - 60 MHz	Typ. 15	dB
	Fo + 60 MHz	Typ. 12	dB
	Fo - ()MHz	Typ.	dB
	Fo +()MHz	Typ.	dB
Return Loss		Min. 12	dB
Ripple		< 1	dB
Impedance		In / Out : 50 Ω	
(4)Torque for Tuning Screw		> 60gf · cm	

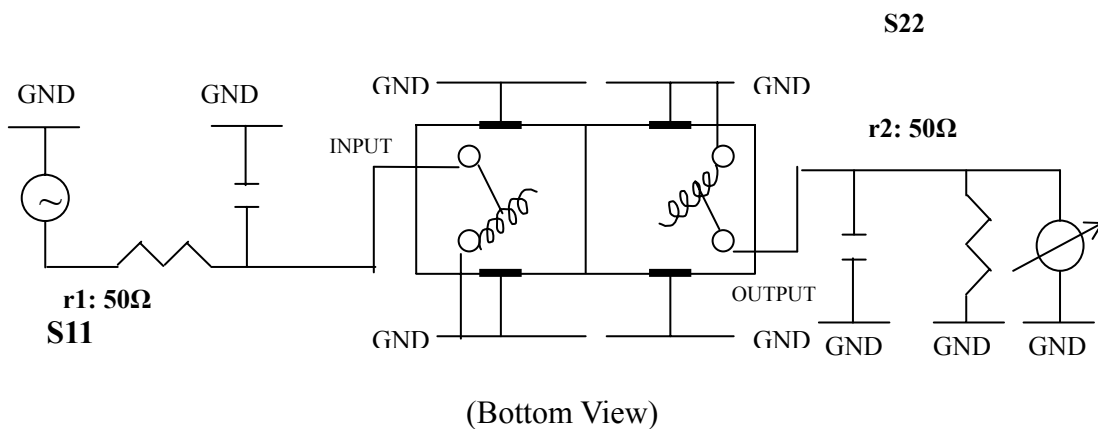
(5)Temperature Condition:

Operating Temperature	0°C ~ +60°C
Storage Temperature	-20°C ~ +70°C

(6)Input Power

> 1Watt

(7)Measuring Circuit: ※Easy to match Impedance S11/S22 50Ω/ by parallel with about(**)



Approval C.Y.Chang	Supervisor C.K.Chang	Designer P.H.Chiang	Aperture size 7H2S-4*5.6(5.63) 7H046RB4
-----------------------	-------------------------	------------------------	---

TEMWELL CORPORATION

Performance-K2C-910M-20M

201310058CD

