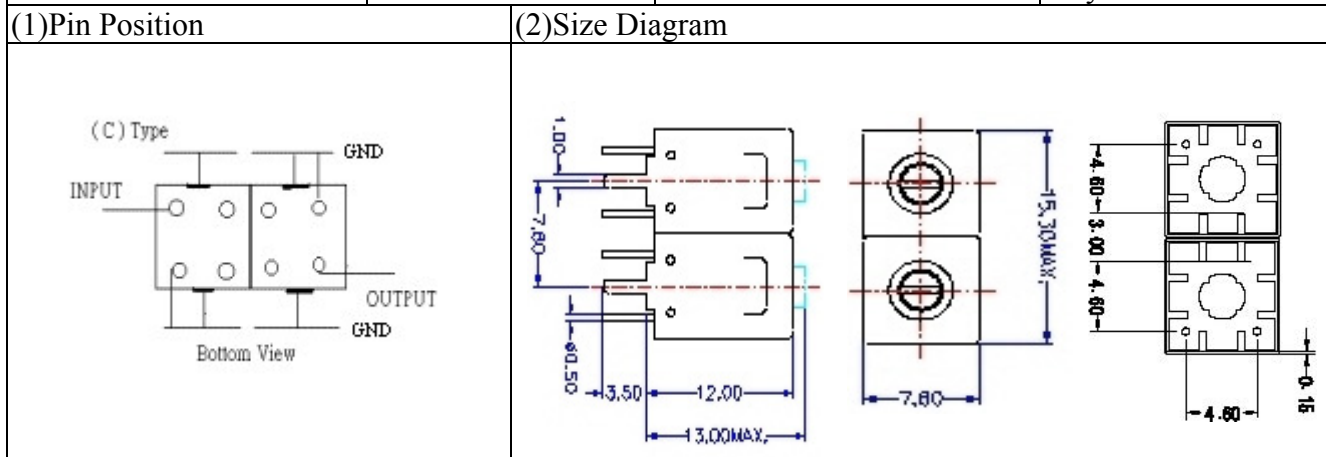


VHF UHF Helical Filter Specification Sheet

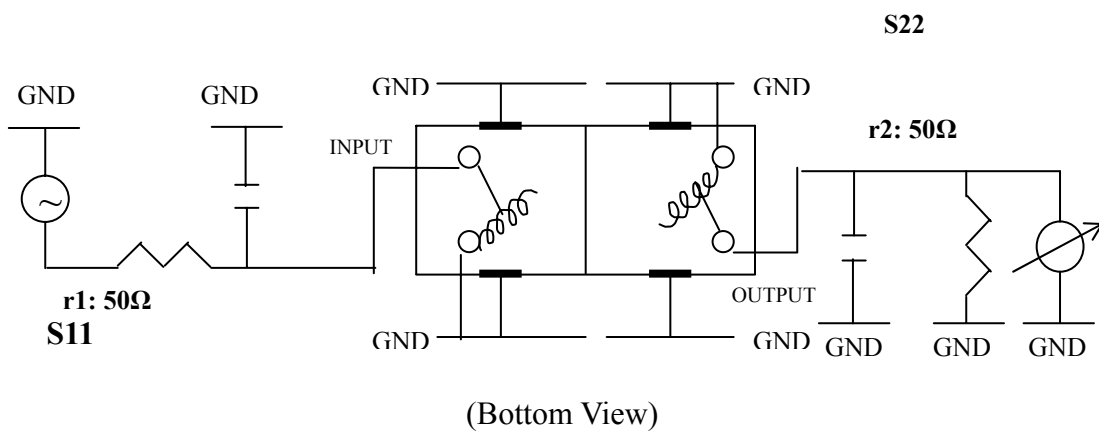
Customer Name		Temwell's Part No.	K2C-785M-20M
Approval No. /dated		Temwell's Print name.	K2C 785M
Work Instruction No.	201012065C	Date	May.03.2011



(3)Electric Charasteric

Item	Specify
Center Freq.(Fo) +/- 0.75 %	785 MHz
Insertion Loss	Typ. 2.5 dB
-3 dB Bandwidth	Typ. 20 MHz
Sensitivity (Attenuation)	Fo - 30 MHz Typ. 13 dBc
	Fo + 30 MHz Typ. 10 dBc
	Fo - () MHz Typ. dBc
	Fo +() MHz Typ. dBc
Return Loss	Min. 12 dB
Ripple	< 1 dB
Impedance	In / Out : 50 Ω
(4)Torque for Tuning Screw	> 100gf cm
(5)Temperature Condition:	
Operating Temperature	0 ~ +60
Storage Temperature	-20 ~ +70
(6)Input Power	> 1Watt

(7)Measuring Circuit: Easy to match Impedance S11/S22 50Ω by parallel with about().

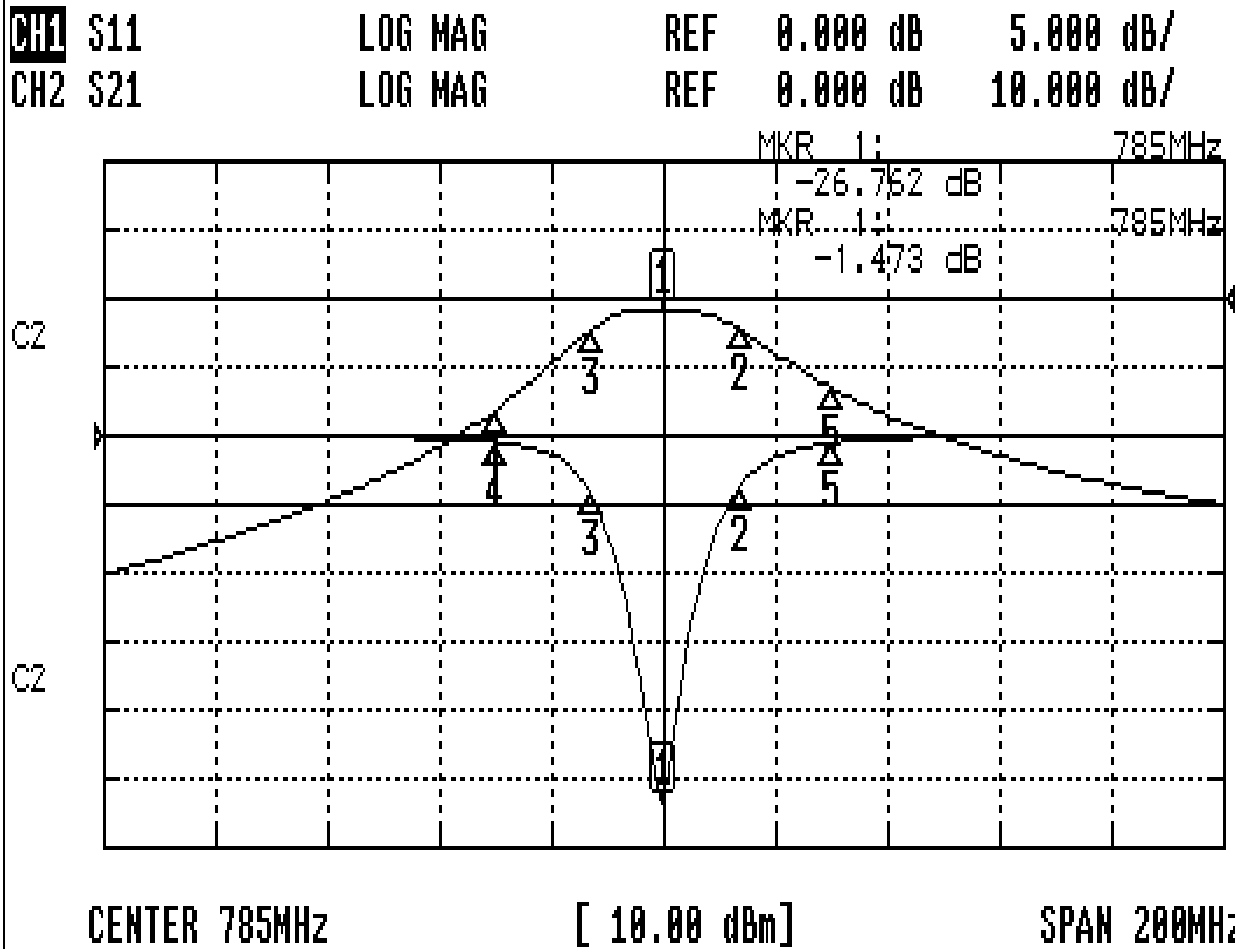


Approval	Supervisor	Designer	Aperture size
C.Y.Chang	C.K.Chang	C.S.Chang	7H2S(4*5.5)(5.59) 7H046RB4.3 聚 3

TEMWELL CORPORATION

Performance-K2C-785M-20M

201012065C



CH1 MARKER LIST

1:	785.000MHz	-26.762 dB
2:	798.500MHz	-3.789 dB
3:	772.166MHz	-4.384 dB
4:	755.000MHz	-0.445 dB
5:	815.000MHz	-0.521 dB

CH2 MARKER LIST

1:	785.000MHz	-1.473 dB
2:	798.500MHz	-4.483 dB
3:	772.166MHz	-4.453 dB
4:	755.000MHz	-16.231 dB
5:	815.000MHz	-13.028 dB