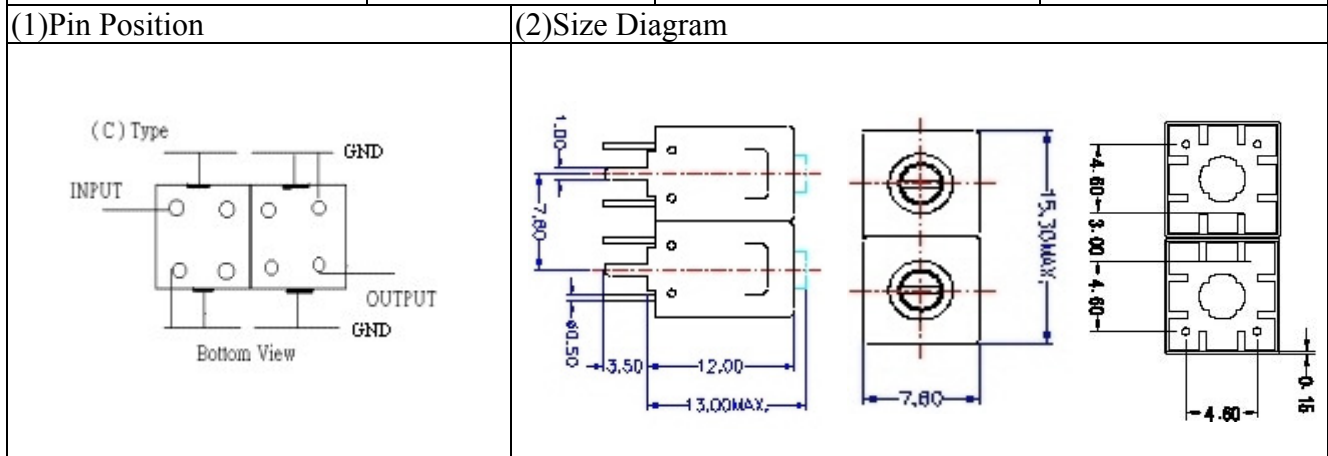


VHF UHF Helical Filter Specification Sheet

Customer Name		Temwell's Part No.	K2C-640M-15M
Approval No. /dated	201010088CD	Temwell's Print name.	K2C 640M
Work Instruction No.	201010088CD	Date	Nov.10.2010



(3) Electric Charasteric

Item	Specify
Center Freq.(Fo) +/- 0.5 %	640 MHz
Insertion Loss	Typ. 3.0 dB
-3 dB Bandwidth	Typ. 15 MHz
Sensitivity (Attenuation)	Fo - 30 MHz Typ. 18 dBc
	Fo + 30 MHz Typ. 15 dBc
	Fo - () MHz Typ. dBc
	Fo +() MHz Typ. dBc
Return Loss	Min. 12 dB
Ripple	< 1 dB
Impedance	In / Out : 50 Ω

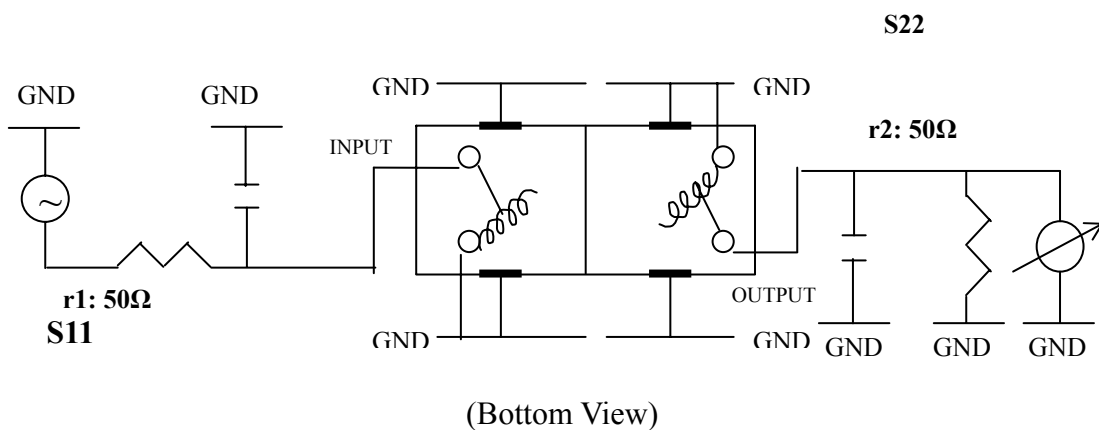
(4) Torque for Tuning Screw > 100gf cm

(5) Temperature Condition:

Operating Temperature	0 ~ +60
Storage Temperature	-20 ~ +70

(6) Input Power > 1Watt

(7) Measuring Circuit: Easy to match Impedance S11/S22 50Ω by parallel with about().



Approval C.Y.Chang	Supervisor C.K.Chang	Designer C.S.Chang	Aperture size 7H2S-4*4.65(4.69) 7H046RB4.3 聚 3
-----------------------	-------------------------	-----------------------	--

TEMWELL CORPORATION

Performance-K2C-640M-15M

201010088CD

