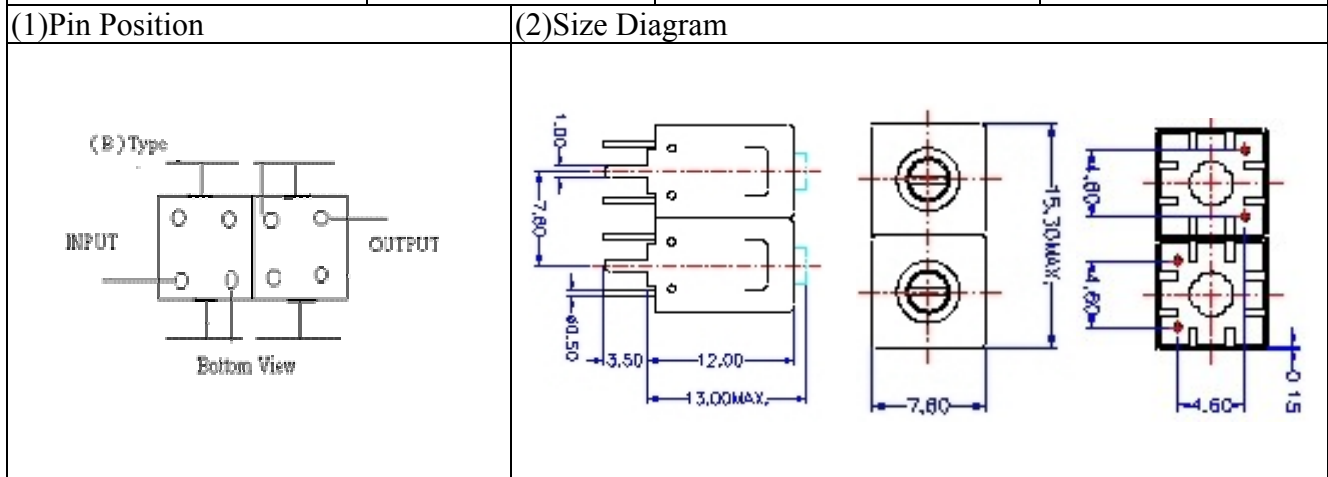


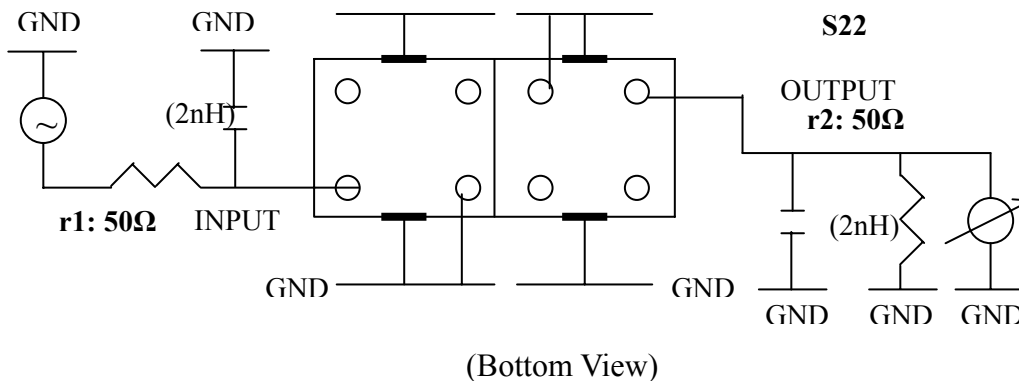
VHF UHF Helical Filter Specification Sheet

Customer Name		Temwell's Part No.	K2B1-475M-11M
Approval No. /dated	20402061DC	Customer's Part No.	7HW-46025A-475
Work Instruction No.	20402061DC	Date	Feb.14.2004



(3) Electric Characteristic		Item	Specify
		Center Freq.(Fo) +/- 0.5 %	475 MHz
		Tunable Range: Fo±5MHz Fo±10MHz Fo±15MHz	475±5 MHz
		Insertion Loss	Max. 2.5 dB
		-3 dB Bandwidth	Typ. 11 MHz
Sensitivity (Attenuation)	Fo - 50 MHz	Typ.	25 dBc
	Fo + 50 MHz	Typ.	20 dBc
	Fo - ()MHz	Typ.	dBc
	Fo +()MHz	Typ.	dBc
		Return Loss	Min. 12 dB
		Ripple	< 1 dB
		Impedance	In / Out : 50 Ω
(4) Torque for Tuning Screw		> 60gf cm	
(5) Temperature Condition:			
Operating Temperature		0 ~ +60	
Storage Temperature		20 ~ +70	
(6) Input Power		> 1 Watt	

(7) Measuring Circuit: Easy to match Impedance 50Ω by parallel with about (2) nH.

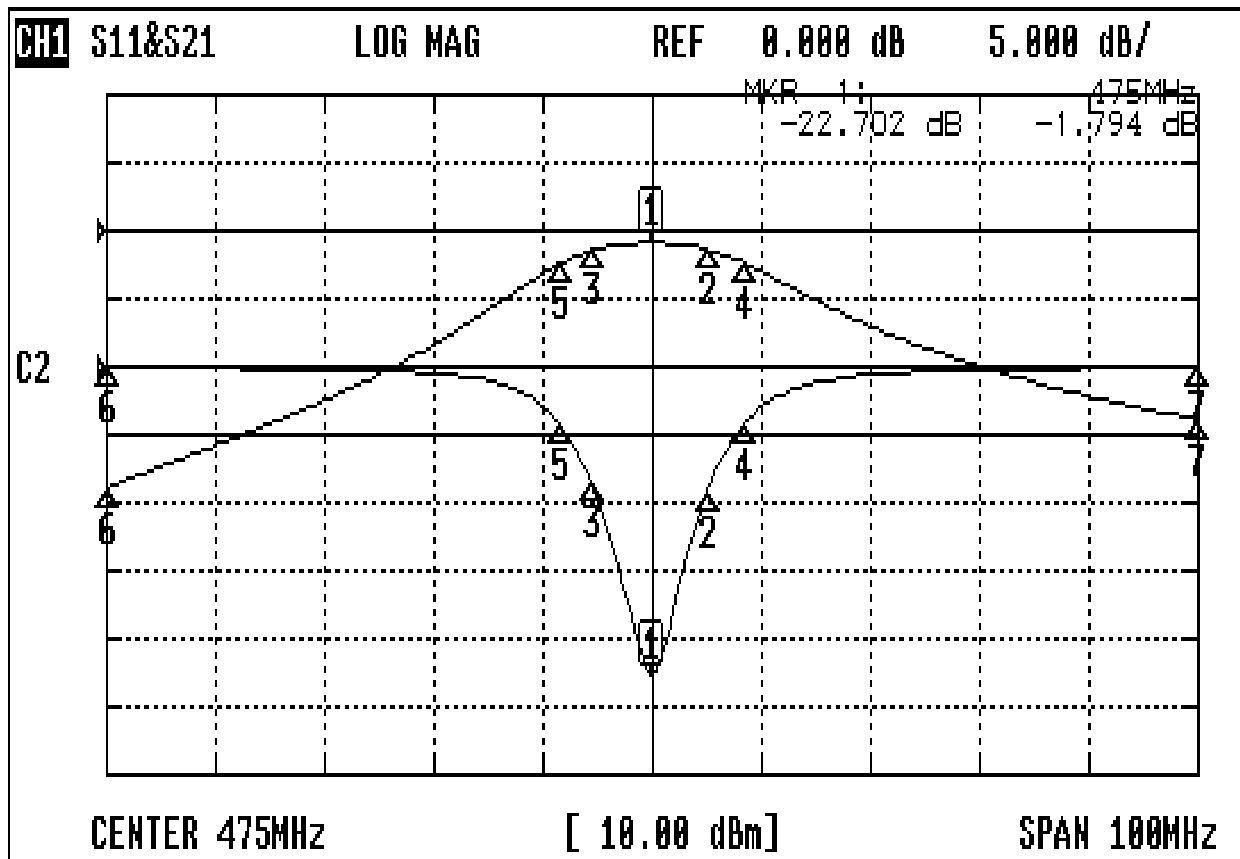


Approval	Supervisor	Designer	Aperture size
C.Y.Chang	C.S.Chang	Enlan	7H2(4*6.5)(4*6.57)F 7H046RB4

TEMWELL CORPORATION

Performance-K2B1-475M-11M

20402061DC



CH1 MARKER LIST

1:	475.000MHz	-22.702 dB	-1.794 dB
2:	488.166MHz	-9.835 dB	-2.888 dB
3:	469.500MHz	-8.541 dB	-2.871 dB
4:	483.500MHz	-4.207 dB	-4.827 dB
5:	466.666MHz	-4.260 dB	-4.827 dB
6:	425.000MHz	-0.088 dB	-37.662 dB
7:	525.000MHz	-0.087 dB	-27.729 dB
8:			
9:			
10:			