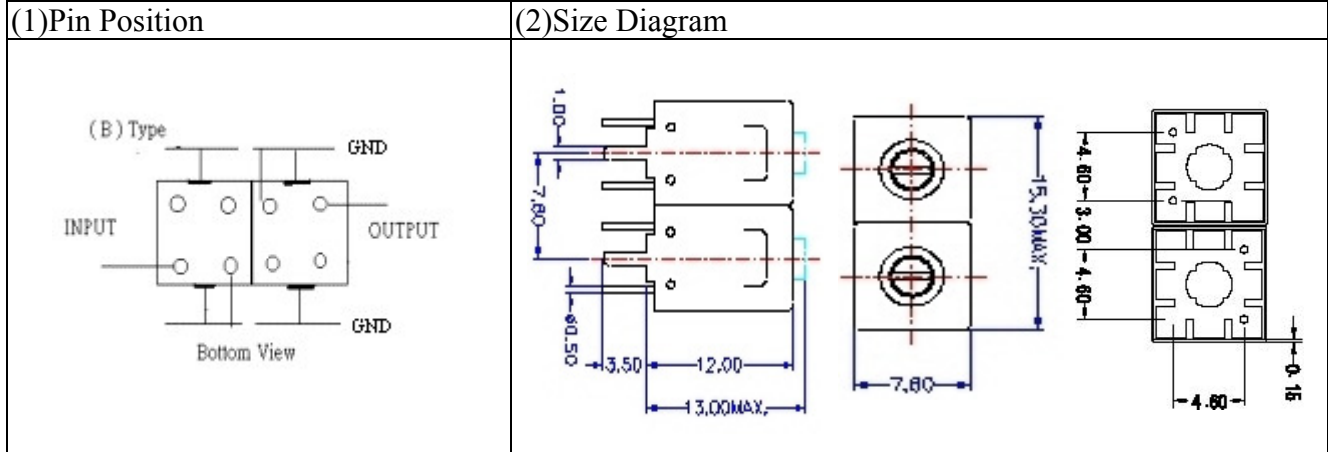


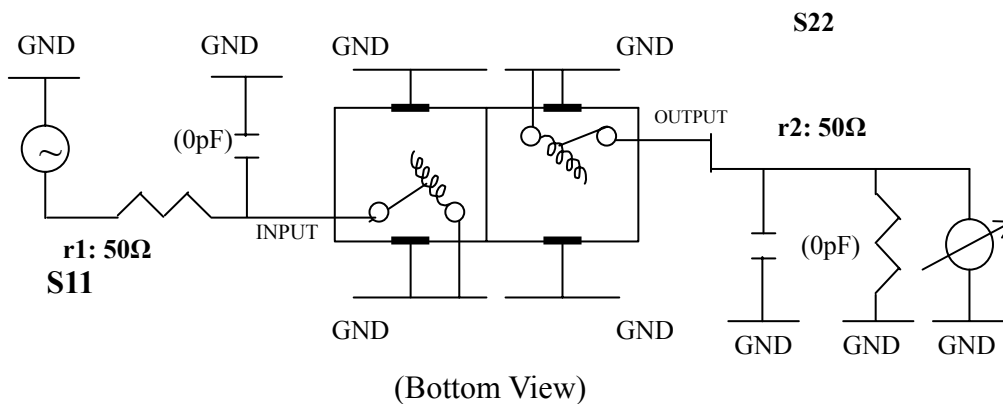
VHF UHF Helical Filter Specification Sheet

Customer Name		Temwell's Part No.	K2B1-460M-11M
Approval No. /dated		Customer's Part No.	K2B1 460M
Work Instruction No.	200909012CD	Date	Sep.22.09



(3) Electric Charasteric	
Item	Specify
Center Freq.(Fo) +/- 0.5 %	460 MHz
Insertion Loss	Typ. 2.5 dB
-3 dB Bandwidth	Typ. 11 MHz
Sensitivity (Attenuation)	Fo - 50 MHz Typ. 25 dBc
	Fo + 50 MHz Typ. 20 dBc
	Fo - ()MHz Typ. dB
	Fo +()MHz Typ. dB
Return Loss	Min. 12 dB
Ripple	< 1 dB
Impedance	In / Out : 50 Ω
(4) Torque for Tuning Screw > 100gf cm	
(5) Temperature Condition:	
Operating Temperature	0 ~ +60
Storage Temperature	-20 ~ +70
(6) Input Power > 1Watt	

(7) Measuring Circuit: Easy to match Impedance S11/S22 50Ω by parallel with about (0) pF.



Approval C.Y.Chang	Supervisor C.K.Chang	Designer L.F.Lai	Aperture size 7H2S(4*5.5)(5.59) 7H046RB4
-----------------------	-------------------------	---------------------	--

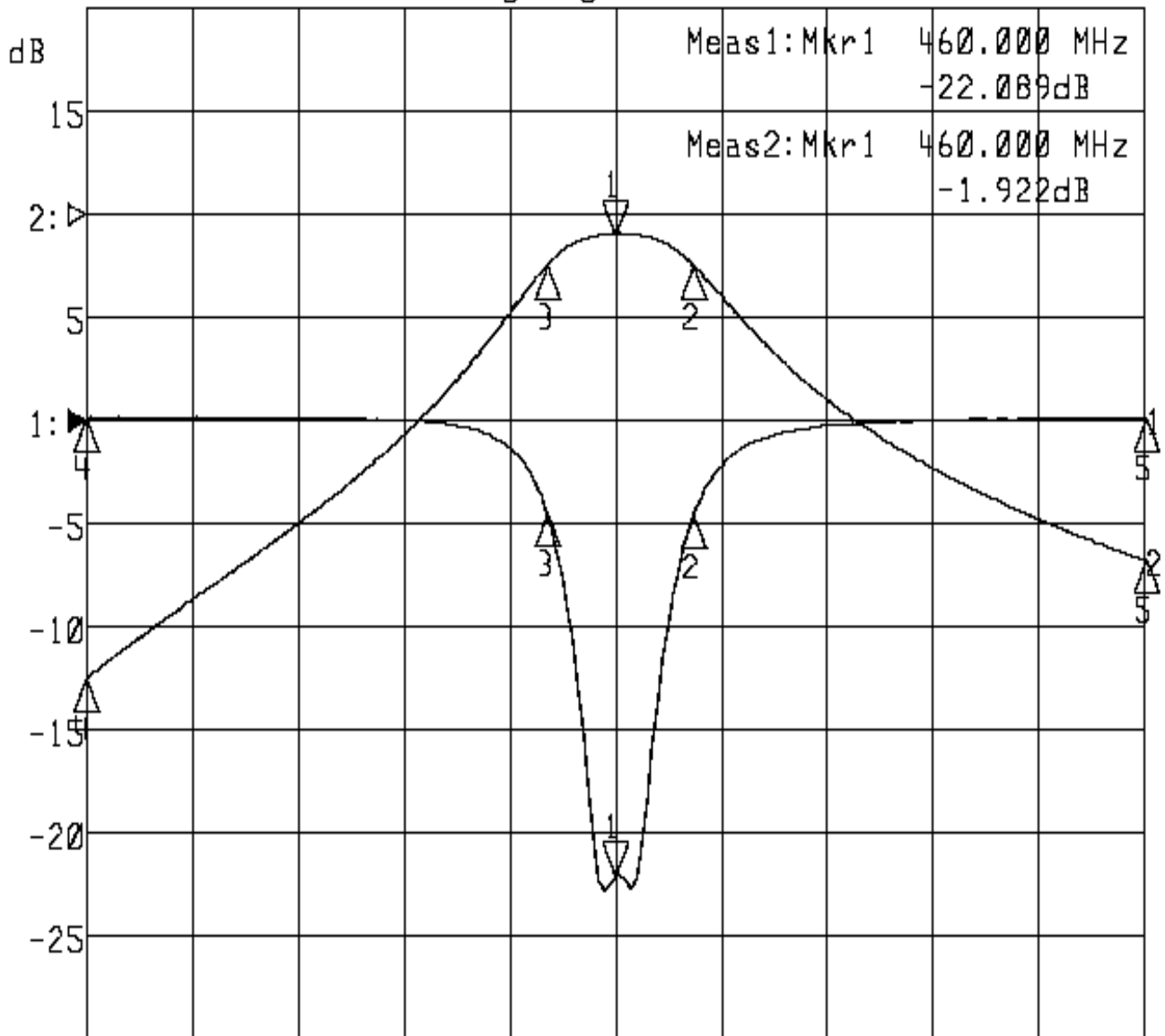
TEMWELL CORPORATION

Performance-K2B1-460M-11M

200909012CD

▶1:S11 Refl Port1 Log Mag 5.0 dB/ Ref 0.00 dB C

▶2:S21 Fwd Trans Log Mag 10.0 dB/ Ref 0.00 dB C



Center 460.000 MHz

Span 100.000 MHz

1: Mkr (MHz)	dB	2: Mkr (MHz)	dB
1> 460.0000	-22.089	1> 460.0000	-1.922
2: 467.4000	-4.613	2: 467.4000	-4.914
3: 453.5333	-4.438	3: 453.5333	-4.966
4: 410.0000	0.105	4: 410.0000	-45.054
5: 510.0000	0.113	5: 510.0000	-33.600