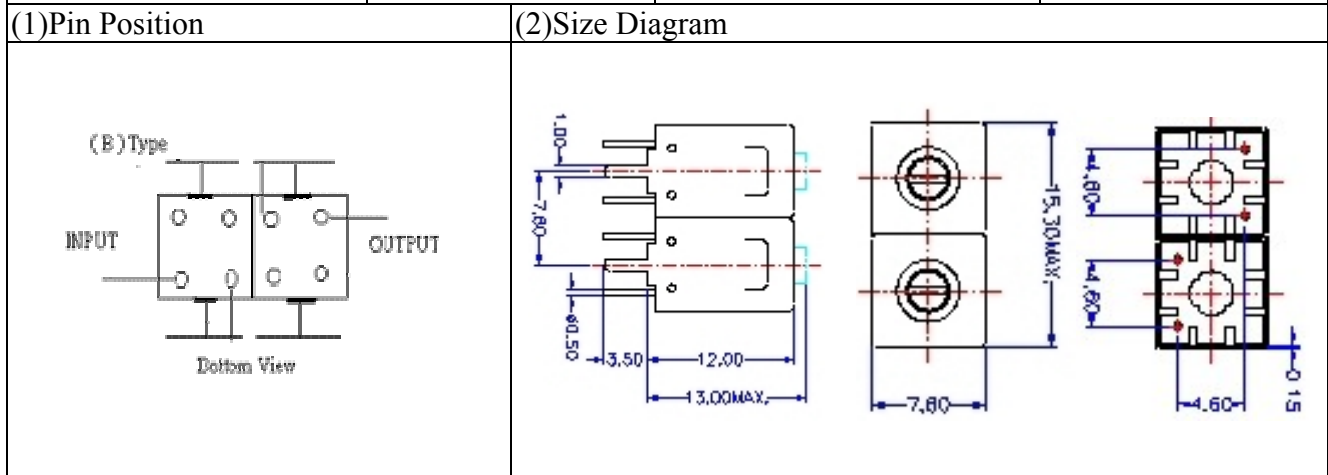


VHF UHF Helical Filter Specification Sheet

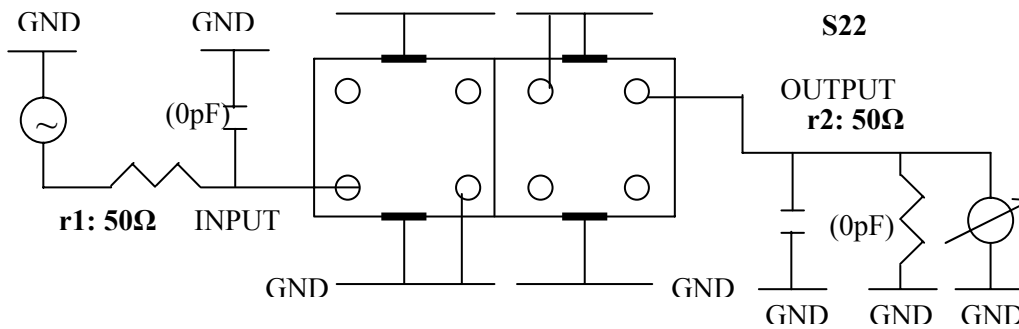
Customer Name		Temwell's Part No.	K2B1-420M-11M
Approval No. /dated	0904105CD	Temwell's Print name.	K2B1 420M
Work Instruction No.	200904105CD	Date	Jun.26.2009



(3) Electric Charasteric

Item	Specify	
Center Freq.(Fo) +/- 0.5 %	420	MHz
Insertion Loss	Typ. 2.5	dB
-3 dB Bandwidth	Typ. 11	MHz
Sensitivity (Attenuation)	Fo - 50 MHz	Typ. 36 dBc
	Fo + 50 MHz	Typ. 24 dBc
	Fo - ()MHz	Typ. dBc
	Fo +()MHz	Typ. dBc
Return Loss	Min. 12	dB
Ripple	< 1	dB
Impedance	In / Out : 50 Ω	
(4)Torque for Tuning Screw	> 100gf cm	
(5)Temperature Condition:		
Operating Temperature	0 ~ +60	
Storage Temperature	20 ~ +70	
(6)Input Power	> 1Watt	

(7)Measuring Circuit: Easy to match Impedance S11/S22 50Ω by parallel with about (0) pF.



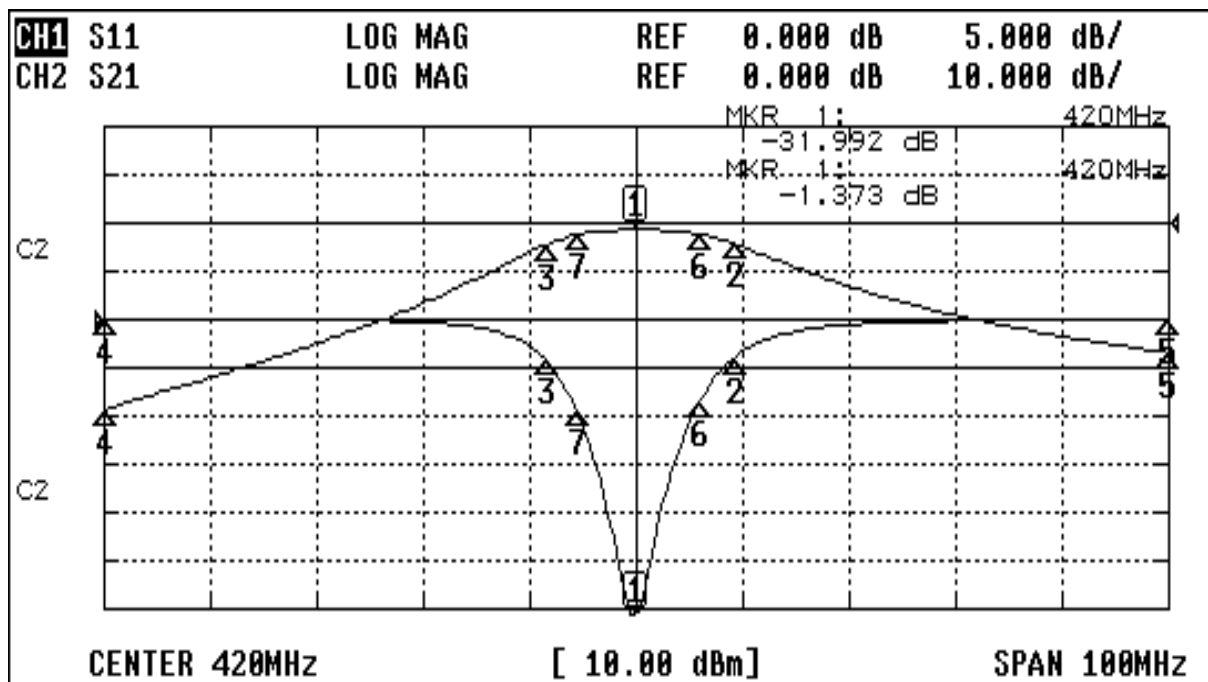
(Bottom View)

Approval C.Y.Chang	Supervisor C.K.Chang	Designer W.W.Wang	Aperture size 7H2S(4*6.5)(4*6.58) 7H046RB4
-----------------------	-------------------------	----------------------	--

TEMWELL CORPORATION

Performance-K2B1-420M-11M

200904105CD



CH1 MARKER LIST		
1:	420.000MHz	-31.992 dB
2:	429.250MHz	-3.983 dB
3:	411.583MHz	-4.274 dB
4:	370.000MHz	0.037 dB
5:	470.000MHz	0.052 dB
6:	426.000MHz	-5.788 dB
7:	414.583MHz	-9.742 dB

CH2 MARKER LIST		
1:	420.000MHz	-1.375 dB
2:	429.250MHz	-4.358 dB
3:	411.583MHz	-4.087 dB
4:	370.000MHz	-38.616 dB
5:	470.000MHz	-26.889 dB
6:	426.000MHz	-2.361 dB
7:	414.583MHz	-2.329 dB