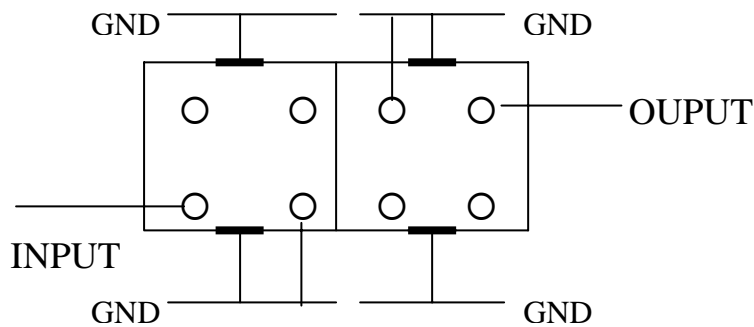


## VHF UHF Helical Filter Specification Sheet

Customer Name		Temwell's Part No.	K2B-420M-10M
Approval No. /dated	20401005DC	Customer's Part No.	
Work Instruction No.	20401005DC	Date	Jan.09.2004
<input type="checkbox"/> Buyer Print name		<input type="checkbox"/> Temwell,s print name	
Case Name	7H2	Case size :	
Terminator Type	B		

\* Pin Position (Pin Connection) diagram as following

( B ) Type



(Bottom View )

### (3) Electric Charasteric

Item		Specify	
Center Freq.(Fo ) +/- 0.5 %		420	MHz
Tuning Range		420 ± 5	MHz
Insertion Loss	Typ.	2.5	dB
-3 dB Bandwidth	Typ.	10	MHz
Sensitivity (Attenuation )	Fo - 50 MHz	Typ.	30 dB
	Fo + 50 MHz	Typ.	20 dB
	Fo - ( ) MHz	Typ.	dB
	Fo +( ) MHz	Typ.	dB
Return Loss	Min.	12	dB
Ripple		< 1	dB
Impedance		In / Out : 50 Ω	

### 4. Temperature Condition:

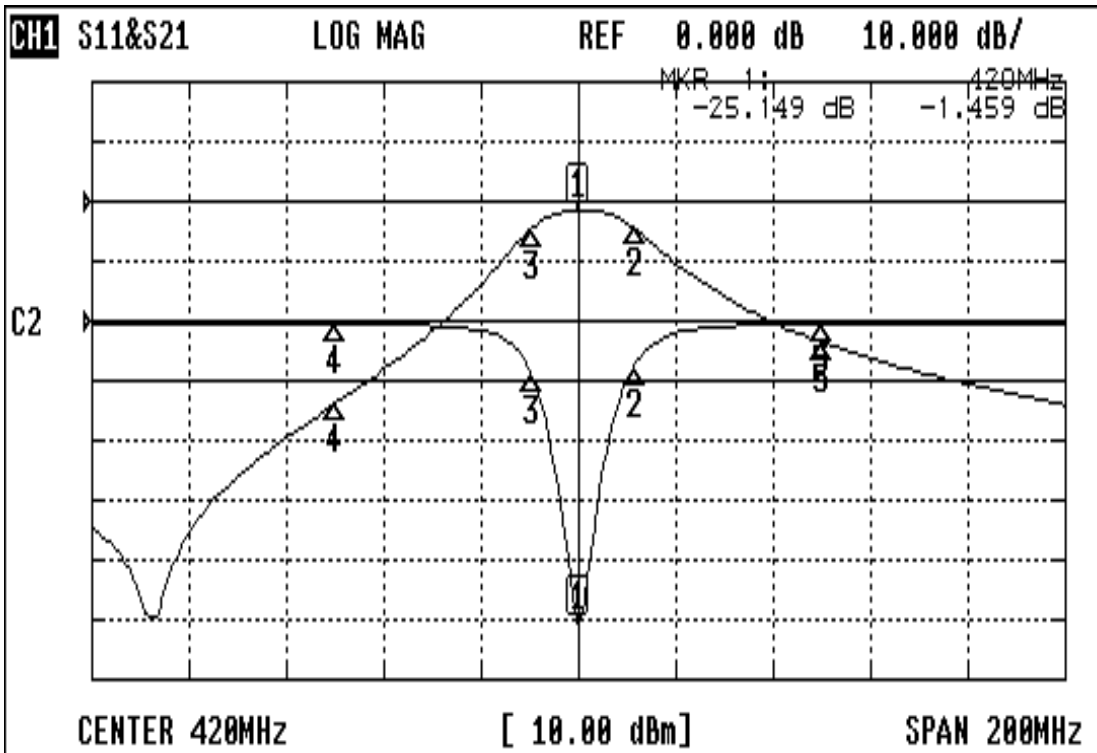
Operating Temperature	0 ~ +60
Storage Temperature	-20 ~ +70

Approval	Supervisor	Designer	Aperture size
	C.S.Chang	P.H.Ching	7H2(4*6.5)(6.51) 7H046RB4

**TEMWELL CORPORATION**

# Performance-K2B-420M-10M

20401005DC



## CH1 MARKER LIST

1:	420.000MHz	-25.149 dB	-1.459 dB
2:	431.500MHz	-3.815 dB	-4.458 dB
3:	410.500MHz	-4.515 dB	-4.473 dB
4:	370.000MHz	-0.220 dB	-33.807 dB
5:	470.000MHz	-0.232 dB	-23.567 dB
6:			
7:			
8:			
9:			
10:			