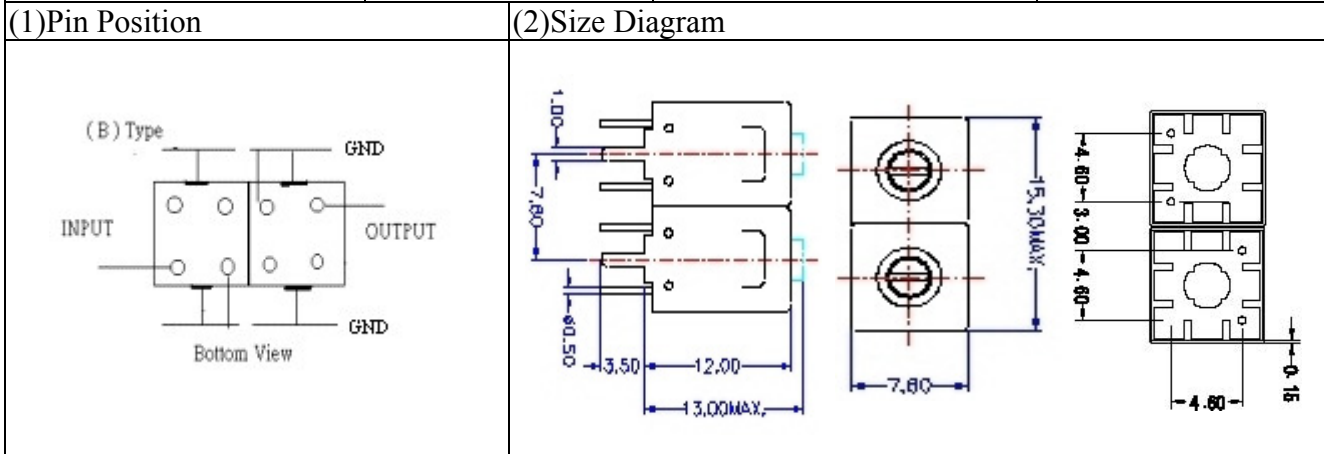


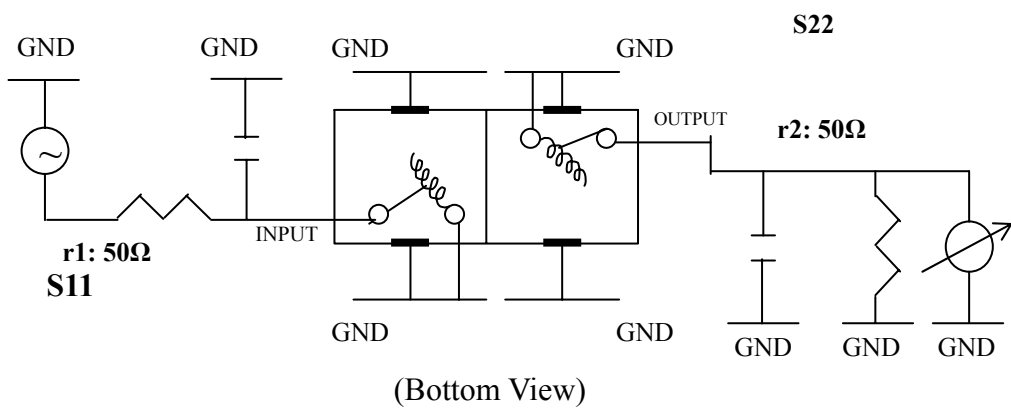
# VHF UHF Helical Filter Specification Sheet

Customer Name		Temwell's Part No.	K2B-332M-8M
Approval No. /dated		Temwell's Part name	K2B 332M
Work Instruction No.	201401057CD	Date	Jan.10.2014



(3) Electric Characteristic		Item	Specify
Center Freq.(Fo) +/- 0.5 %			332 MHz
Insertion Loss		Typ.	3.5 dB
-3 dB Bandwidth		Typ.	8 MHz
Sensitivity (Attenuation)	Fo - 30 MHz	Typ.	30 dB
	Fo + 30 MHz	Typ.	25 dB
	Fo - ( )MHz	Typ.	dB
	Fo +( )MHz	Typ.	dB
Return Loss		Min.	12 dB
Ripple			< 1 dB
Impedance			In / Out : 50 Ω
(4) Torque for Tuning Screw			> 60gf · cm
(5) Temperature Condition:			
Operating Temperature			0°C ~ +60°C
Storage Temperature			-20°C ~ +70°C
(6) Input Power			> 1 Watt

(7) Measuring Circuit: ※ Easy to match Impedance S11/S22 50Ω by parallel with about (--)



Approval C.Y.Chang	Supervisor C.K.Chang	Designer P.H.Chiang	Aperture size 7H2S(4*6.35)(6.38) 7H046RB4-J1
-----------------------	-------------------------	------------------------	--

TEMWELL CORPORATION

# Performance-K2B-332M-8M

## 201401057CD

