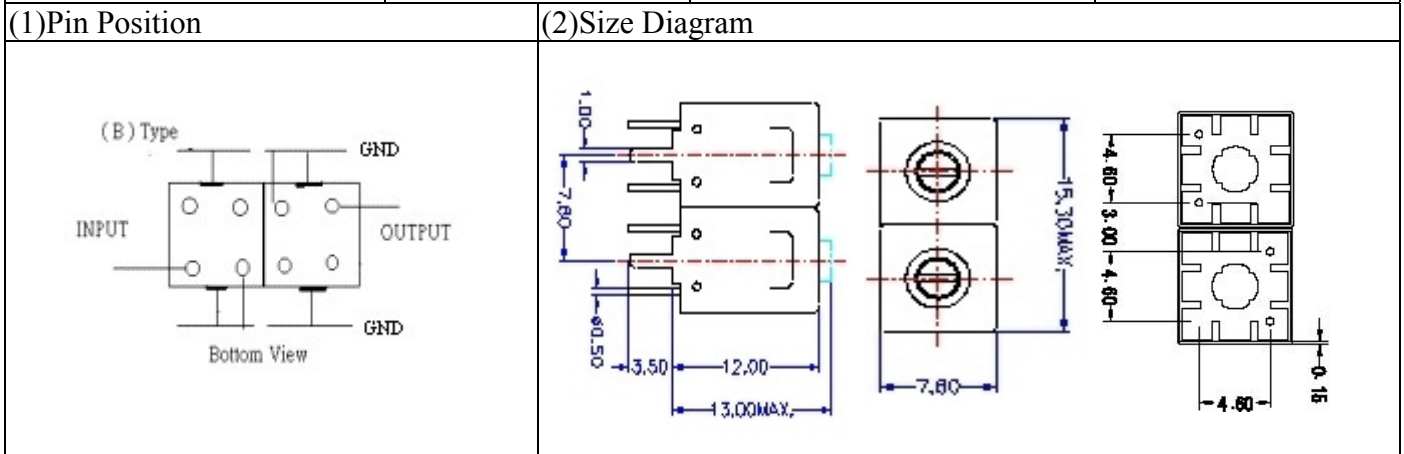


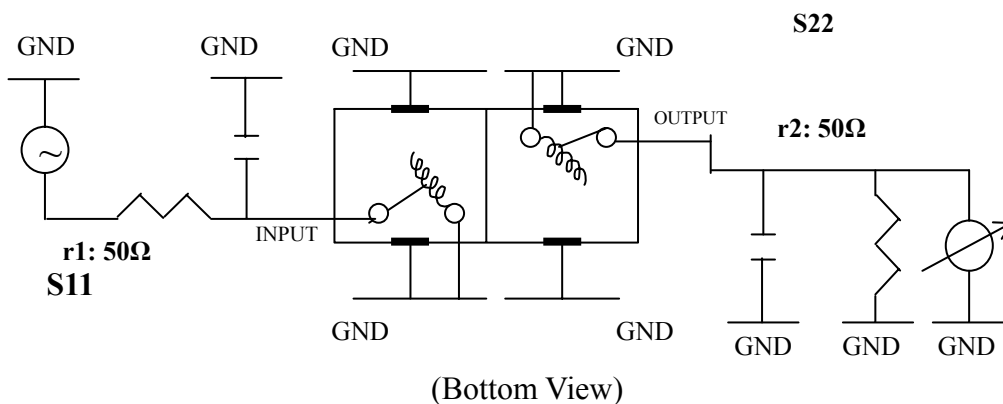
VHF UHF Helical Filter Specification Sheet

Customer Name		Temwell's Part No.	K2B-223M-4M
Approval No. /dated		Temwell's Print No.	K2B 223M
Work Instruction No.	201402003CD	Date	Feb.21.2014



(3) Electric Chararistic		Item	Specify
Center Freq.(Fo) +/- 0.5 %			223 MHz
Insertion Loss		Typ.	5.5 dB
-3 dB Bandwidth		Typ.	4 MHz
Sensitivity (Attenuation)	Fo - 20 MHz	Typ.	23 dB
	Fo + 20 MHz	Typ.	19 dB
	Fo - ()MHz	Typ.	dB
	Fo +()MHz	Typ.	dB
Return Loss		Min.	12 dB
Ripple			< 1 dB
Impedance			In / Out : 50 Ω
(4) Torque for Tuning Screw			> 60gf · cm
(5) Temperature Condition:			
Operating Temperature			0°C ~ +60°C
Storage Temperature			-20°C ~ +70°C
(6) Input Power			> 1Watt

(7) Measuring Circuit: ※Easy to match Impedance S11/S22 50Ω by parallel with about (--)



Approval	Supervisor	Designer	Aperture size
C.Y.Chang	C.K.Chang	P.H.Chiang	7H2S(4.65)(4.67) 7H024RB4(J1)
TEMWELL CORPORATION			

Performance-K2B-223M-4M

201402003CD

