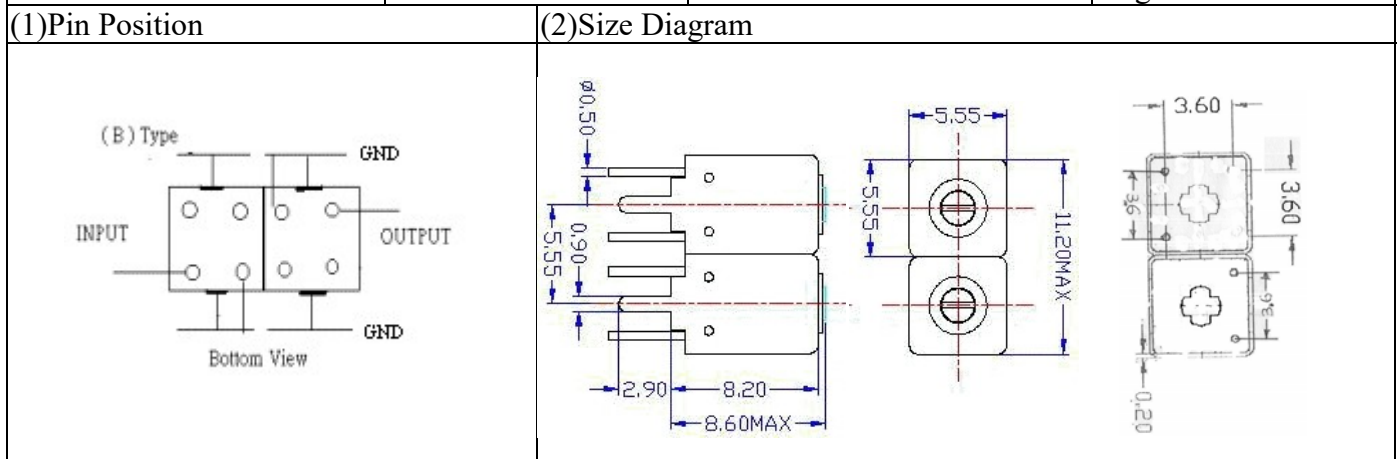


# VHF UHF Helical Filter Specification Sheet

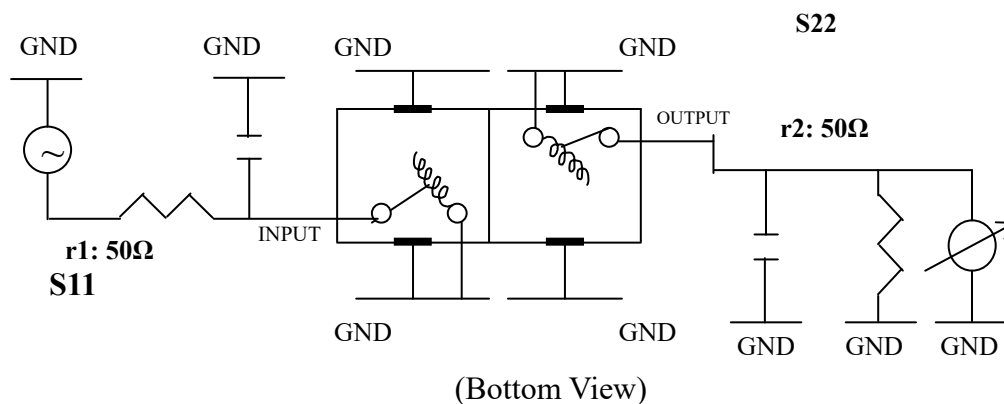
Customer Name		Temwell's Part No.	TDW2978B-757M
Approval No. /dated		Temwell's print Name.	2978B 757M
Work Instruction No.	201408062BD	Date	Aug.26.2014



### (3)Electric Charasteric

Item		Specify	
Center Freq.(Fo) +/- 0.5 %		757	MHz
Insertion Loss		Typ. 3.0	dB
-3 dB Bandwidth		Typ. 15	MHz
Sensitivity (Attenuation)	Fo - 58 MHz	Typ. 15	dB
	Fo + 58 MHz	Typ. 15	dB
	Fo - ( )MHz	Typ.	dBc
	Fo +( )MHz	Typ.	dBc
Return Loss		Min. 12	dB
Ripple		< 1 dB	
Impedance		In / Out : 50 Ω	
(4)Torque for Tuning Screw		> 60gf • cm	
(5)Temperature Condition:			
Operating Temperature		0°C ~ +60°C	
Storage Temperature		-20°C ~ +70°C	
(6)Input Power		> 0.5Watt	

### (7)Measuring Circuit: ※Easy to match Impedance 50Ω by parallel with about (- -)



Approval	Supervisor	Designer	Aperture size
C.Y.Chang	C.K.Chang	F.L.Lai	5W2S(3.8*3.5)(3.55) 5HW024RB3

TEMWELL CORPORATION

TEMWELL

Form10-5W2B Vision D

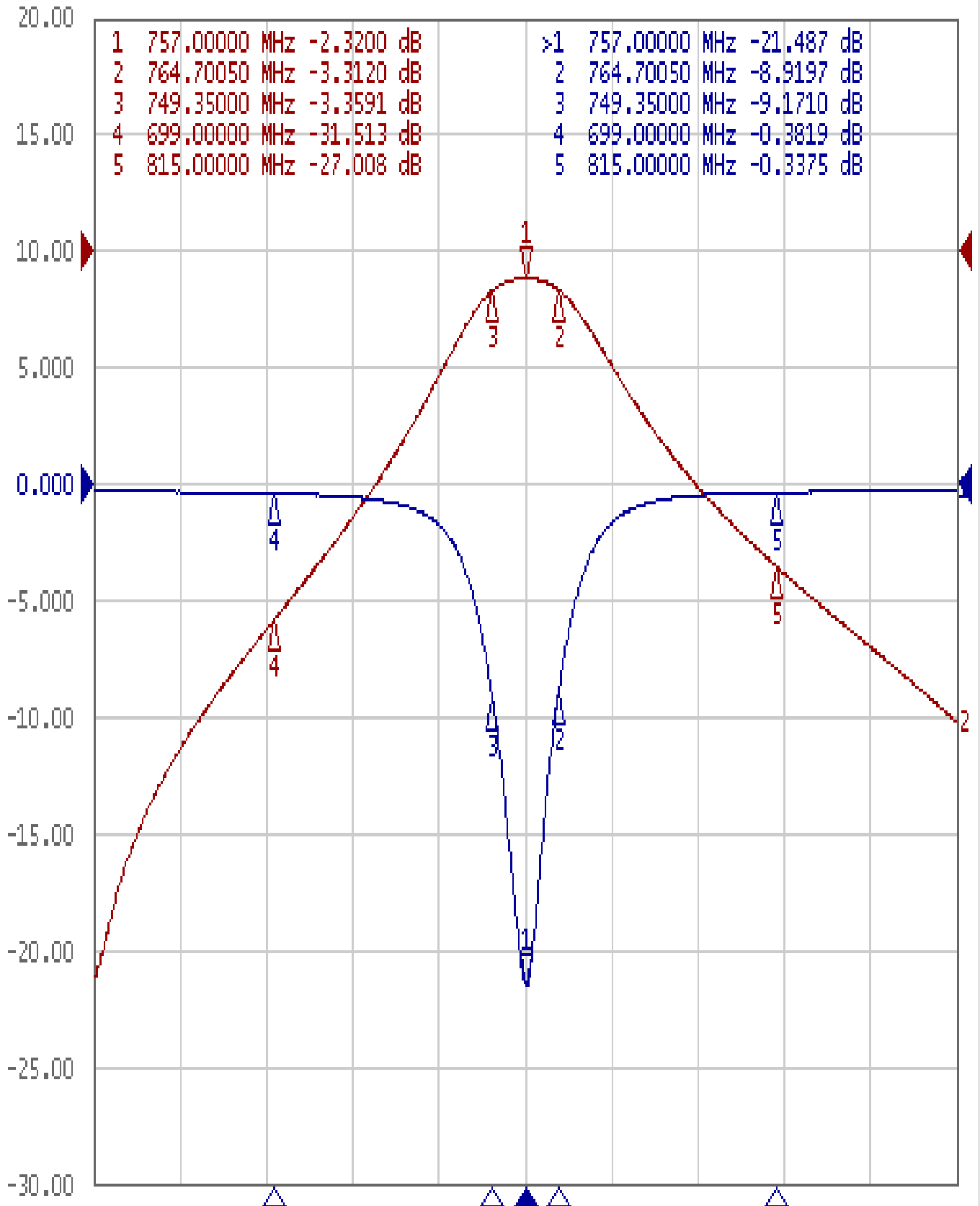
RP ( F.L.L )

# Performance-TDW2978B-757M

## 201408062BD

▶ Tr1 S11 Log Mag 5.000dB/ Ref 0.000dB [F2]

Tr2 S21 Log Mag 10.00dB/ Ref 0.000dB [F2]



1 Center 757 MHz

IFBW 10 kHz

Span 200 MHz Cor !