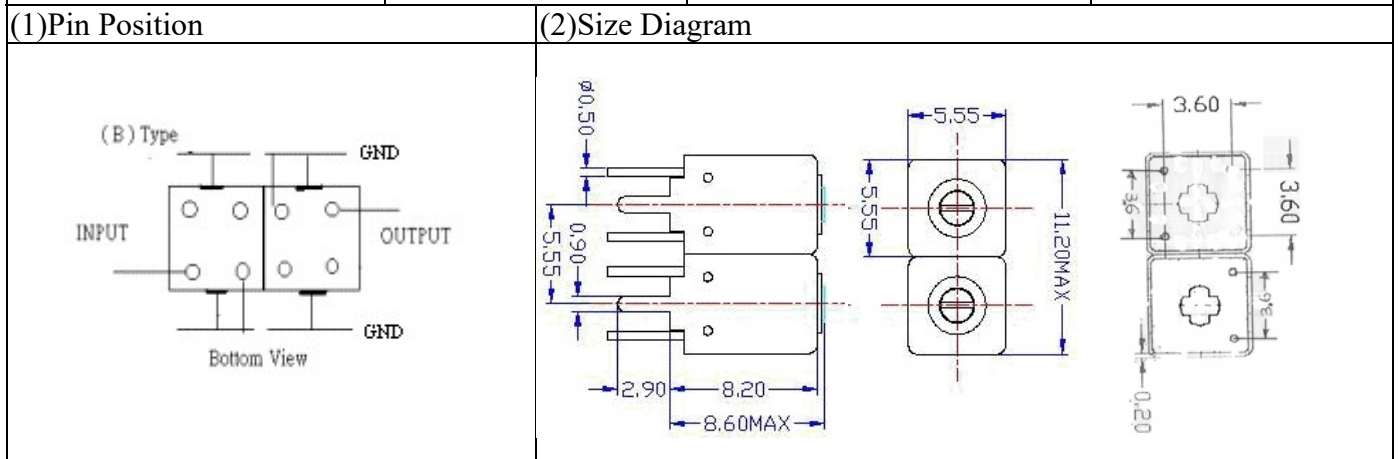


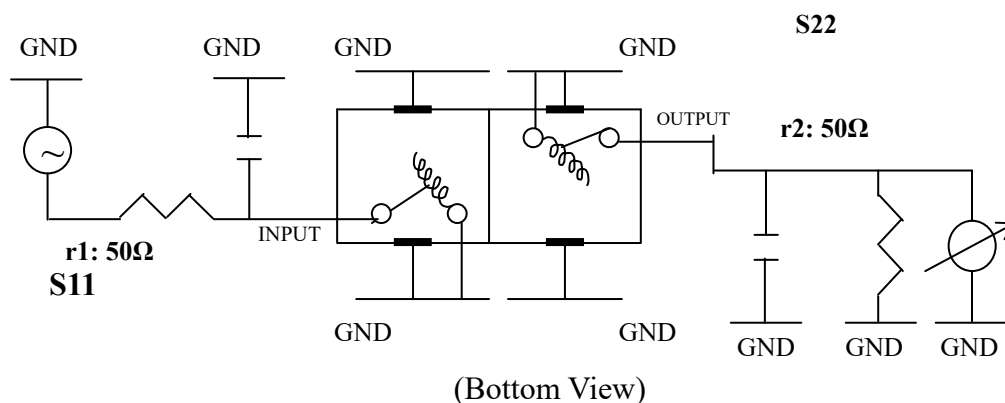
# VHF UHF Helical Filter Specification Sheet

Customer Name		Temwell's Part No.	TDW2977B-700M
Approval No. /dated		Temwell's print Name.	1FK078
Work Instruction No.	201409071A	Date	Oct.07.2014



(3) Electric Chararistic		
Item	Specify	
Center Freq.(Fo) +/- 0.5 %	700 MHz	
Insertion Loss	Typ. 4.0 dB	
-3 dB Bandwidth	Typ. 28 MHz	
Sensitivity (Attenuation)	Fo - 70 MHz	Typ. 20 dB
	Fo + 70 MHz	Typ. 15 dB
	Fo - ( )MHz	Typ. dBc
	Fo +( )MHz	Typ. dBc
Return Loss	Min. 12 dB	
Ripple	< 1 dB	
Impedance	In / Out : 50 Ω	
(4) Torque for Tuning Screw	> 60gf · cm	
(5) Temperature Condition:		
Operating Temperature	0°C ~ +60°C	
Storage Temperature	-20°C ~ +70°C	
(6) Input Power	> 0.5Watt	

(7) Measuring Circuit: ※Easy to match Impedance 50Ω by parallel with about (- -)



Approval	Supervisor	Designer	Aperture size
C.Y.Chang	C.K.Chang	F.L.Lai	5W2S(3.8*5.1)(5.16) 5HW024RB3

TEMWELL CORPORATION

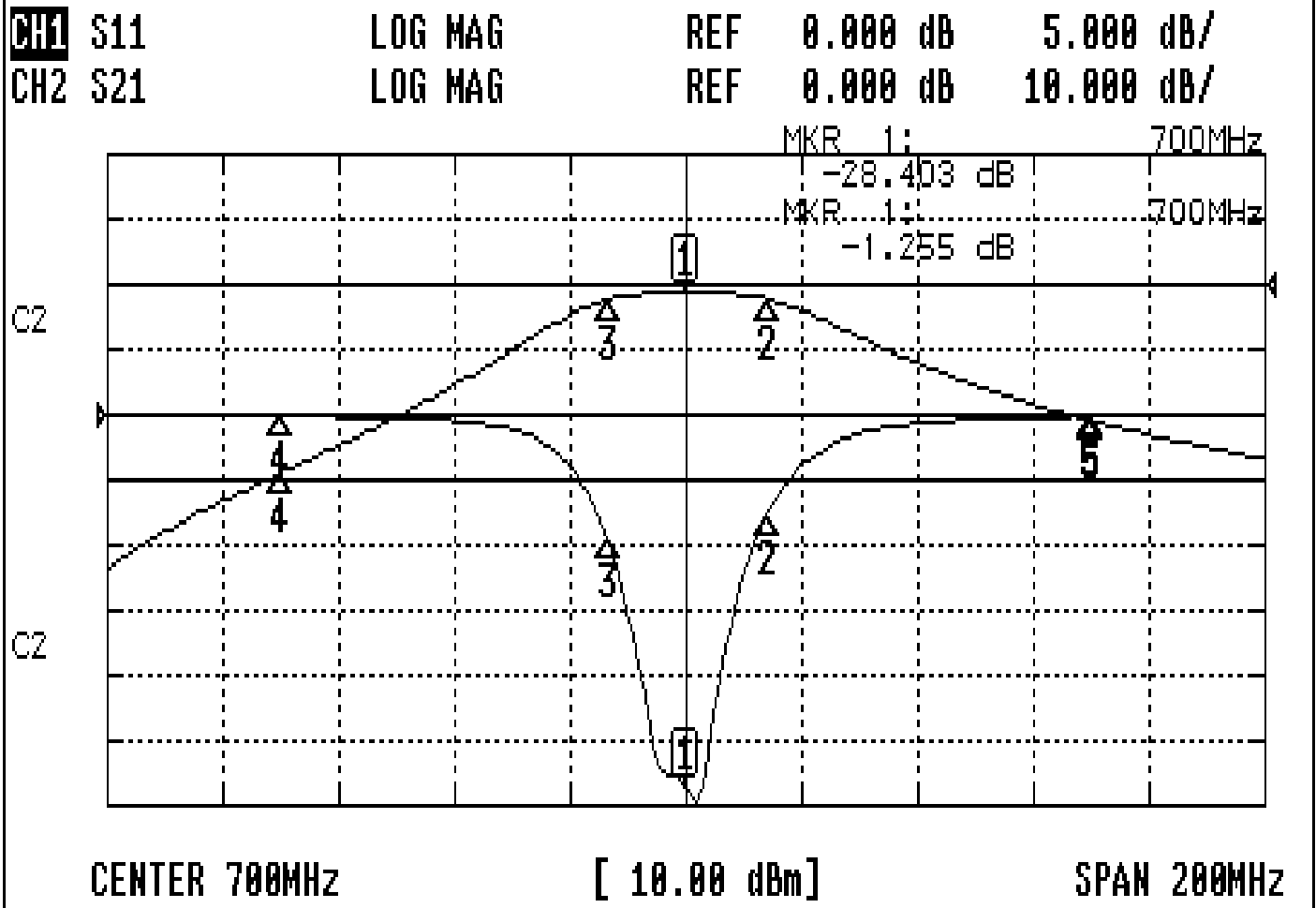
TEMWELL

Form10-5W2B Vision D

RP (W.S.C)

# Performance-TDW2977B-700M

## 201409071A



### CH1 MARKER LIST

1:	700.000MHz	-28.381	dB	
2:	714.000MHz	-7.779	dB	
3:	686.666MHz	-19.706	dB	
4:	630.000MHz	-0.111	dB	
5:	770.000MHz	-0.122	dB	

### CH2 MARKER LIST

1:	700.000MHz	-1.255	dB	
2:	714.000MHz	-2.235	dB	
3:	686.666MHz	-2.270	dB	
4:	630.000MHz	-20.933	dB	
5:	770.000MHz	-20.849	dB	