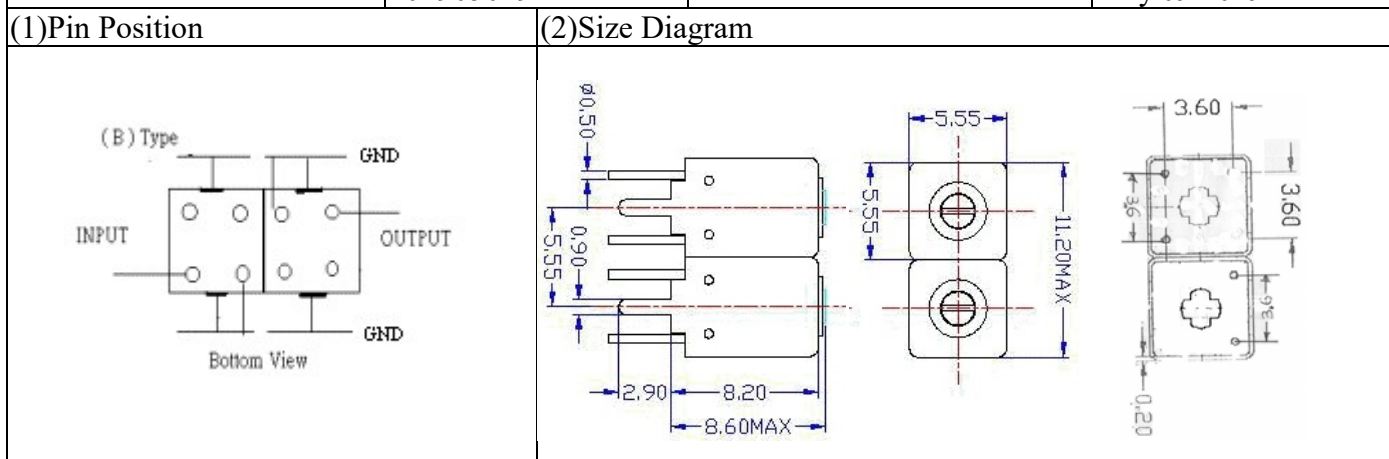


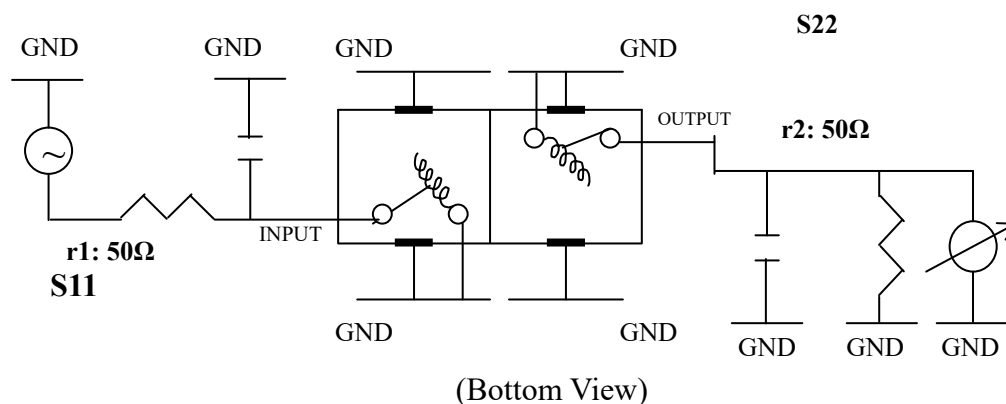
VHF UHF Helical Filter Specification Sheet

Customer Name		Temwell's Part No.	TDW2975B-550M
Approval No. /dated		Temwell's print Name.	2975B 550M
Work Instruction No.	201905019C	Date	May.09.2019



(3) Electric Chararctic	
Item	Specify
Center Freq.(Fo) +/- 0.5 %	550 MHz
Insertion Loss	Typ. 2.5 dB
-3 dB Bandwidth	Typ. 16 MHz
Sensitivity (Attenuation)	Fo - 50 MHz Typ. 20 dB
	Fo + 50 MHz Typ. 15 dB
	Fo - ()MHz Typ. dBc
	Fo +()MHz Typ. dBc
Return Loss	Min. 12 dB
Ripple	< 1 dB
Impedance	In / Out : 50 Ω
(4) Torque for Tuning Screw	> 60gf · cm
(5) Temperature Condition:	
Operating Temperature	0°C ~ +60°C
Storage Temperature	-20°C ~ +70°C
(6) Input Power	> 0.5Watt

(7) Measuring Circuit: ※Easy to match Impedance 50Ω by parallel with about (- -)

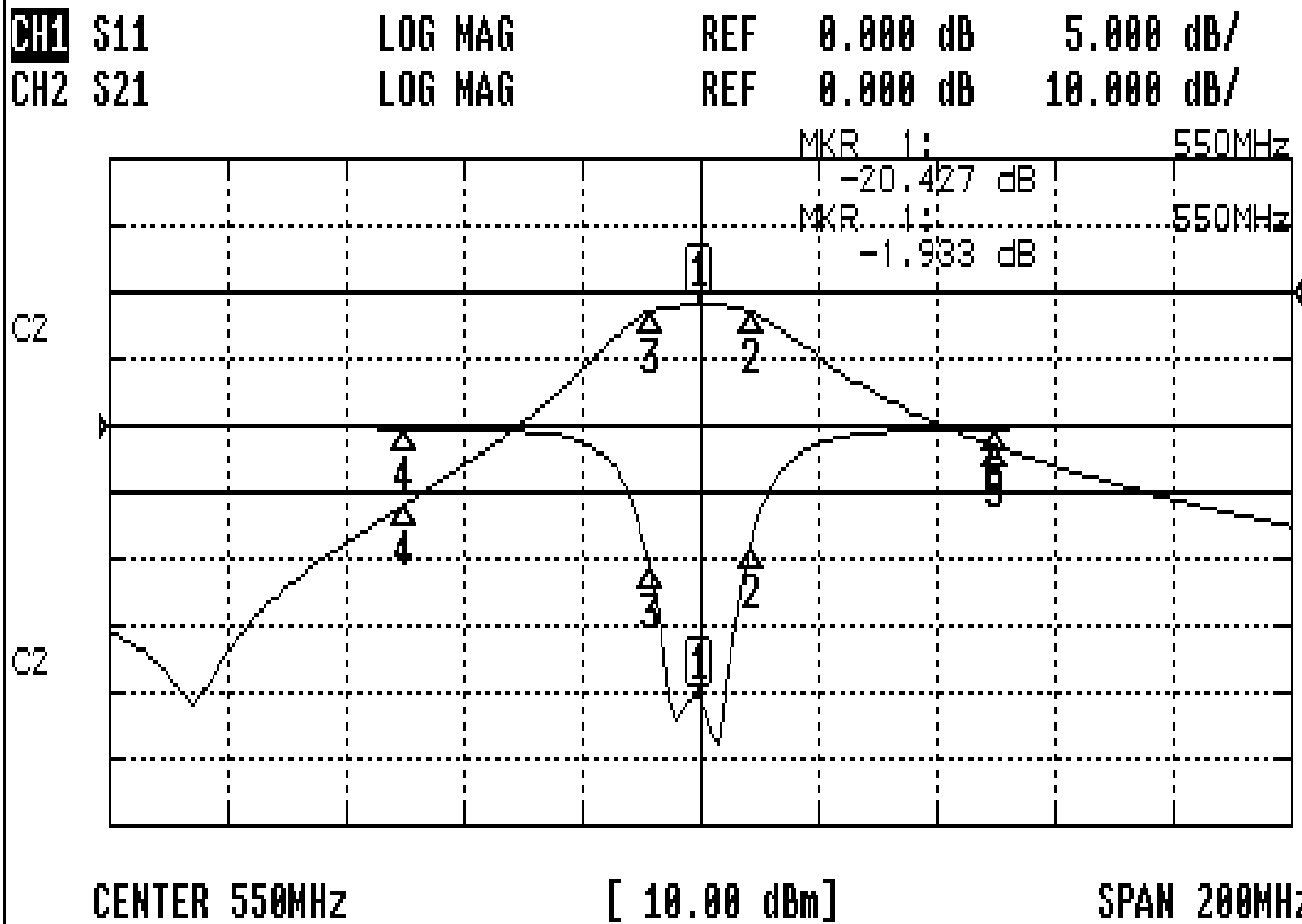


Approval	Supervisor	Designer	Aperture size
C.Y.Chang	C.K.Chang	M.Y.Kang	5W2S(3.8*4.5)(4.54) 5HW024RB3(J1)

TEMWELL CORPORATION

Performance-TDW2975B-550M

201905019C



CH1 MARKER LIST

1:	550.000MHz	-20.427 dB
2:	558.500MHz	-9.162 dB
3:	541.666MHz	-10.850 dB
4:	500.000MHz	-0.160 dB
5:	600.000MHz	-0.162 dB

CH2 MARKER LIST

1:	550.000MHz	-1.933 dB
2:	558.500MHz	-2.989 dB
3:	541.666MHz	-2.959 dB
4:	500.000MHz	-31.718 dB
5:	600.000MHz	-23.156 dB