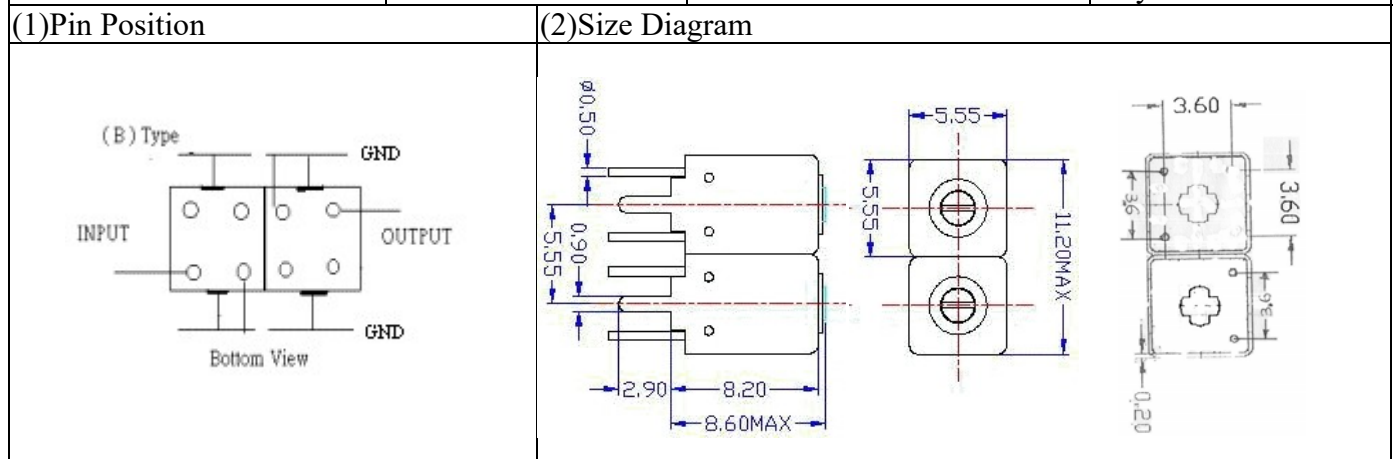


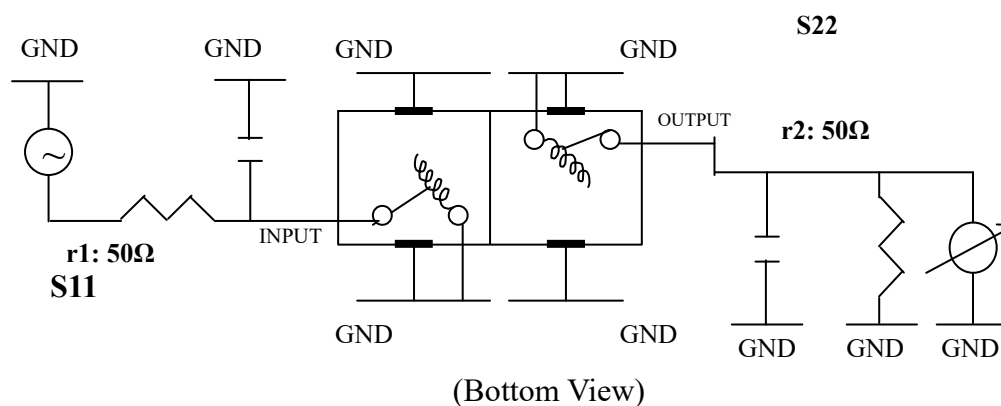
# VHF UHF Helical Filter Specification Sheet

Customer Name		Temwell's Part No.	TDW2974B-525M
Approval No. /dated		Temwell's print Name.	2974B 525M
Work Instruction No.	201905018C	Date	May.10.2019



(3)Electric Charasteric		Item	Specify
Center Freq.(Fo ) +/- 0.5 %			525 MHz
Insertion Loss		Typ.	2.0 dB
-3 dB Bandwidth		Typ.	50 MHz
Sensitivity (Attenuation )	Fo - 100 MHz	Typ.	13 dBc
	Fo + 100 MHz	Typ.	25 dBc
	Fo - ( )MHz	Typ.	dBc
	Fo +( )MHz	Typ.	dBc
Return Loss		Min.	12 dB
Ripple			< 1 dB
Impedance			In / Out : 50 Ω
(4)Torque for Tuning Screw			> 60gf · cm
(5)Temperature Condition:			
Operating Temperature			0°C ~ +60°C
Storage Temperature			-20°C ~ +70°C
(6)Input Power			> 0.5Watt

(7)Measuring Circuit: ※Easy to match Impedance 50Ω by parallel with about ( - - )

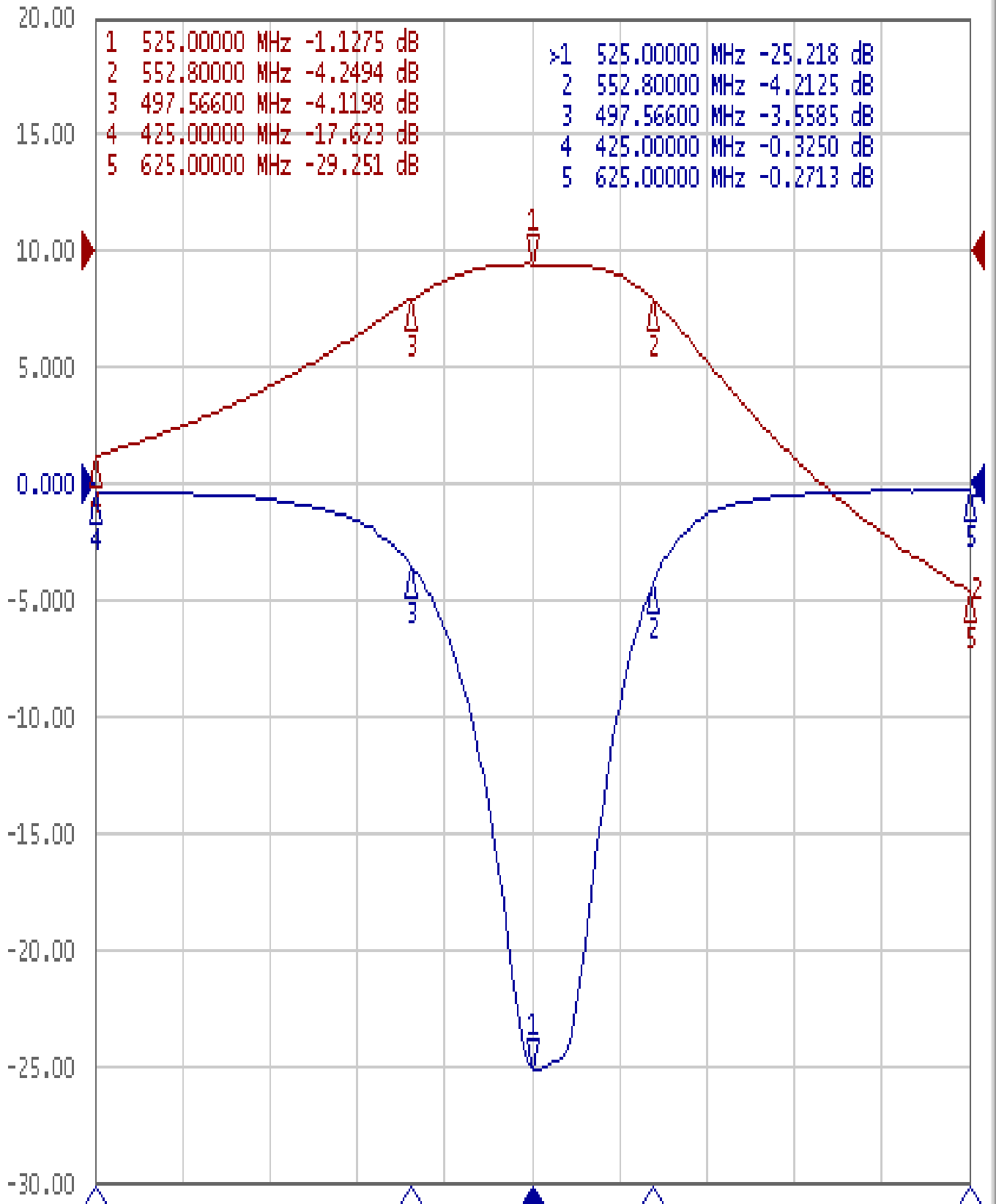


Approval	Supervisor	Designer	Aperture size
C.Y.Chang	C.K.Chang	P.H.Chiang	5W2S(3.8*3.5)(3.54) 5HW020LB4.5

# Performance-TDW2974B-525M

## 201905018C

Tr1 S11 Log Mag 5.000dB/ Ref 0.000dB [F2]  
Tr2 S21 Log Mag 10.00dB/ Ref 0.000dB [F2]



1 Center 525 MHz

IFBW 70 kHz

Span 200 MHz Cor !