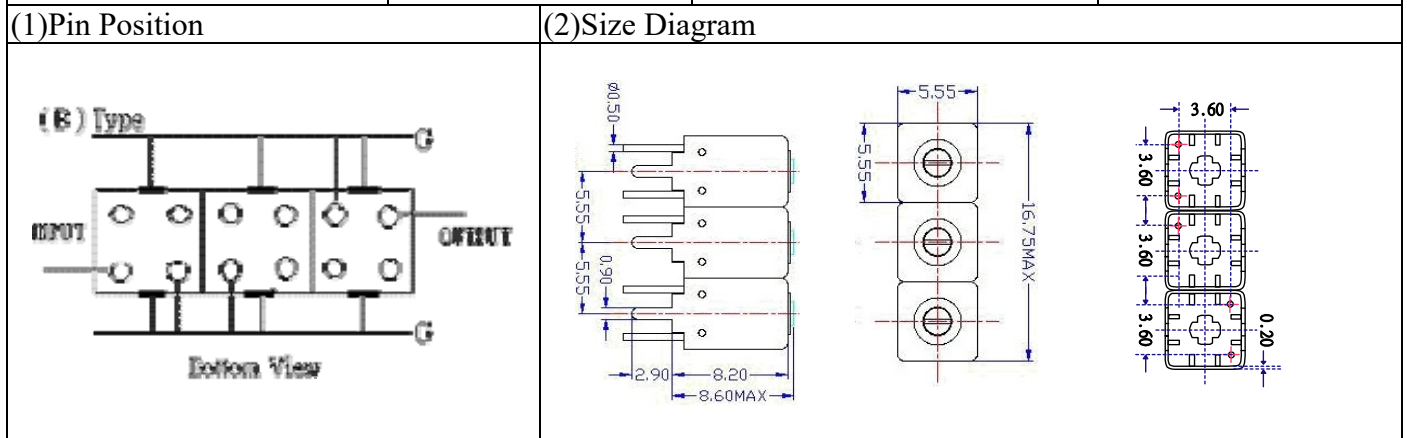


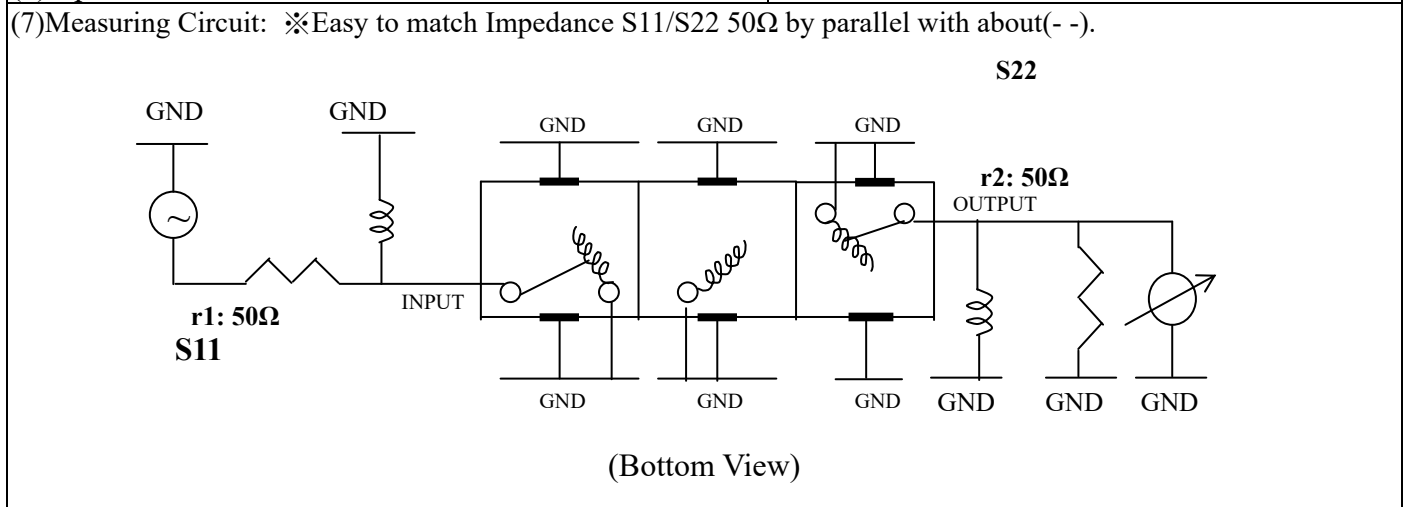
# VHF UHF Helical Filter Specification Sheet

Customer Name		Temwell's Part No.	TTW31052B-915M
Approval No. /dated	201711016CD	Temwell's Print Name.	31052B 915M
Work Instruction No.	201711016CD	Date	Dec.06.2017



(3) Electric Character			
Item	Specify	Performance	
Center Freq.(Fo) +/- 0.5 %	915 MHz	915 MHz	
Insertion Loss	Typ. 8.0 dB	7.03 dB	
-3 dB Bandwidth	Typ. 5 MHz	10.6 MHz	
Sensitivity (Attenuation)	Fo - 50 MHz	Typ. 47 dBc	52 dBc
	Fo + 50 MHz	Typ. 40 dBc	45 dBc
	Fo - ( )MHz	Typ. dBc	dBc
	Fo +( )MHz	Typ. dBc	dBc
Return Loss	Min. 12 dB	21.6 dB	
Ripple	< 1 dB	dB	
Impedance	In / Out : 50 Ω	In / Out : 50 Ω	
(4) Torque for Tuning Screw			
> 60gf · cm			

(5) Temperature Condition:	
Operating Temperature	0°C ~ +60°C
Storage Temperature	-20°C ~ +70°C
(6) Input Power	
> 0.5Watt	

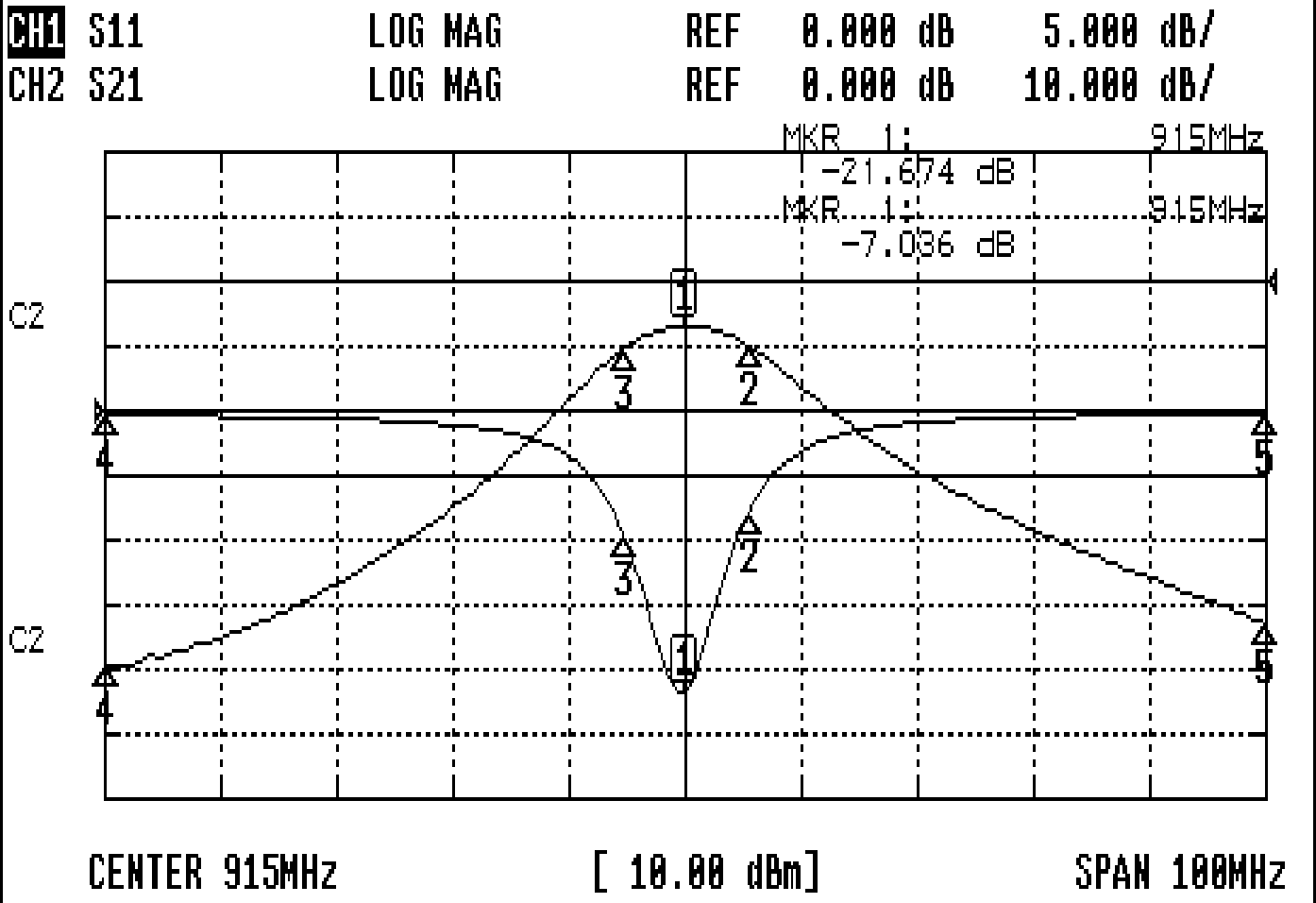


Approval	Supervisor	Designer	Aperture size
C.Y.Chang	C.K.Chang	M.Y.Kang	5W3S(3.8*3.5)(3.55) 5HW024RB3

TEMWELL CORPORATION

# Performance-TTW31052B-915M

## 201711016CD



### CH1 MARKER LIST

1:	915.000MHz	-21.674	dB
2:	920.583MHz	-7.790	dB
3:	909.916MHz	-9.947	dB
4:	865.000MHz	-10.346	dB
5:	965.000MHz	-0.305	dB

### CH2 MARKER LIST

1:	915.000MHz	-7.036	dB
2:	920.583MHz	-10.000	dB
3:	909.916MHz	-10.057	dB
4:	865.000MHz	-10.300	dB
5:	965.000MHz	-2.600	dB