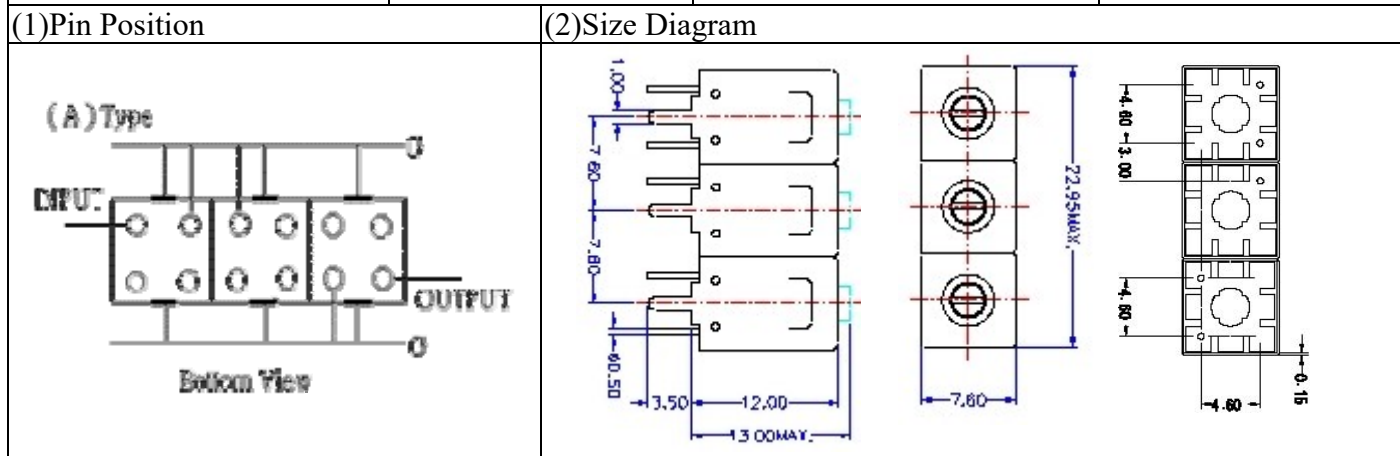


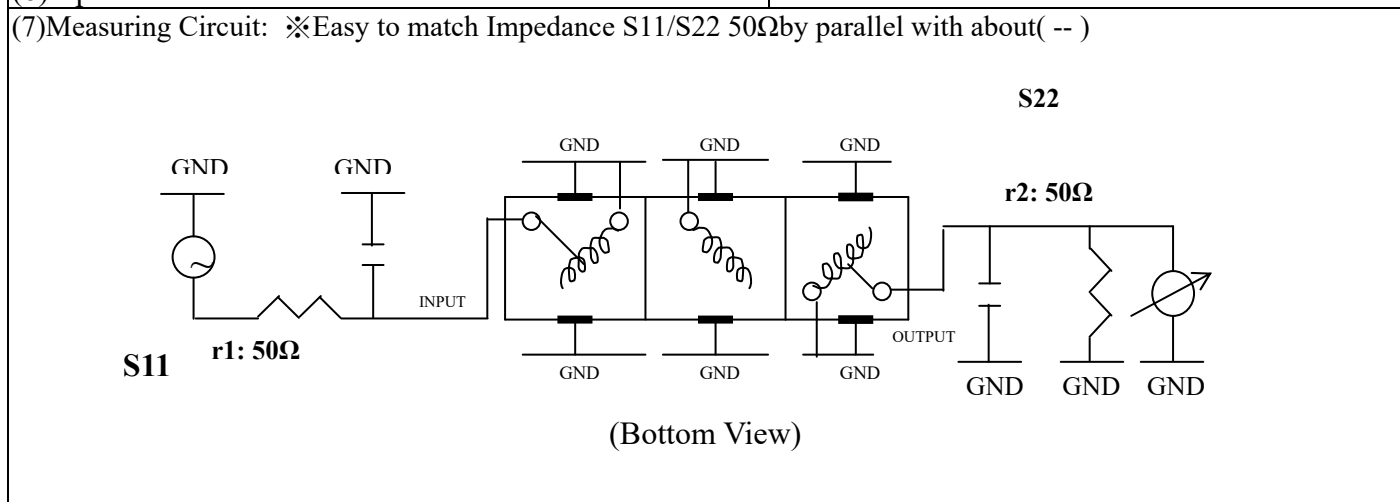
VHF UHF Helical Filter Specification Sheet

Customer Name		Temwell's Part No.	TT63727A-868M
Approval No. /dated	201711011CD	Temwell's Print Name.	63727A 868M
Work Instruction No.	201711011CD	Date	Nov.22.2017



(3) Electric Chararistic			
Item	Specify	Performance	
Center Freq.(Fo) +/- 0.5 %	868 MHz	868 MHz	
Insertion Loss	Typ. 8.0 dB	6.89 dB	
-3 dB Bandwidth	Typ. 2 MHz	7.7 MHz	
Sensitivity (Attenuation)	Fo - 50 MHz	Typ. 50 dBc	60 dBc
	Fo + 50 MHz	Typ. 46 dBc	51 dBc
	Fo - ()MHz	Typ. dBc	dBc
	Fo +()MHz	Typ. dBc	dBc
Return Loss	Min. 12 dB	23.3 dB	
Ripple	< 1 dB	dB	
Impedance	In / Out : 50 Ω	In / Out : 50 Ω	
(4) Torque for Tuning Screw	> 60gf • cm		

(5) Temperature Condition:	
Operating Temperature	0°C ~ +60°C
Storage Temperature	-20°C ~ +70°C
(6) Input Power	> 1Watt



Approval C.Y.Chang	Supervisor C.K.Chang	Designer C.H.Yeh	Aperture size 7H3S(4*4.65)(4.66) 7H046LB4.3 聚 3
-----------------------	-------------------------	---------------------	---

TEMWELL CORPORATION

TEMWELL

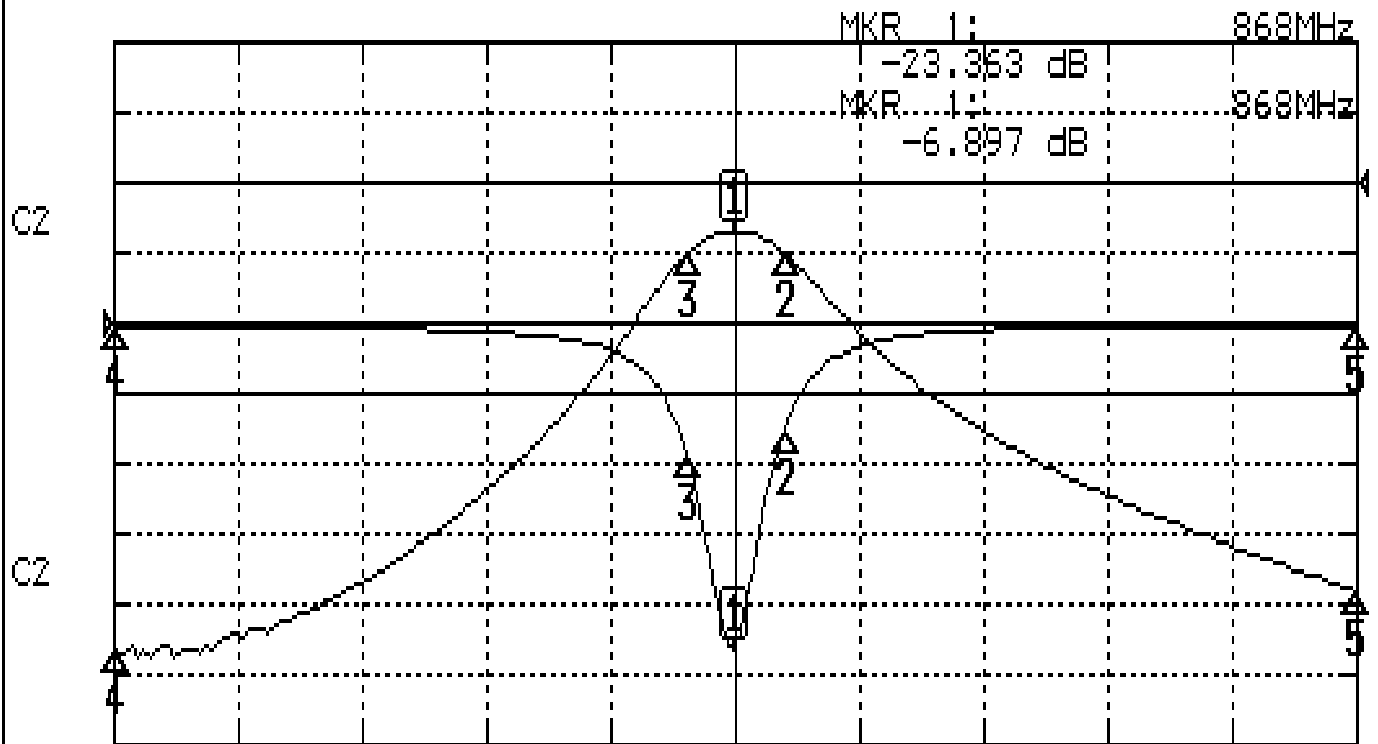
Form10-7H3A Vision D

RP (C.H.Y)

Performance-TT63727A-868M

201711011CD

CH1 S11 LOG MAG REF 0.000 dB 5.000 dB/
CH2 S21 LOG MAG REF 0.000 dB 10.000 dB/



CENTER 868MHz

[10.00 dBm]

SPAN 100MHz

CH1 MARKER LIST

Marker	Frequency (MHz)	Magnitude (dB)
1:	868.000MHz	-23.363 dB
2:	872.020MHz	-7.693 dB
3:	864.230MHz	-9.505 dB
4:	818.000MHz	-0.191 dB
5:	918.000MHz	-0.164 dB

CH2 MARKER LIST

Marker	Frequency (MHz)	Magnitude (dB)
1:	868.000MHz	-16.893 dB
2:	872.020MHz	-11.906 dB
3:	864.230MHz	-11.950 dB
4:	818.000MHz	-67.421 dB
5:	918.000MHz	-58.079 dB