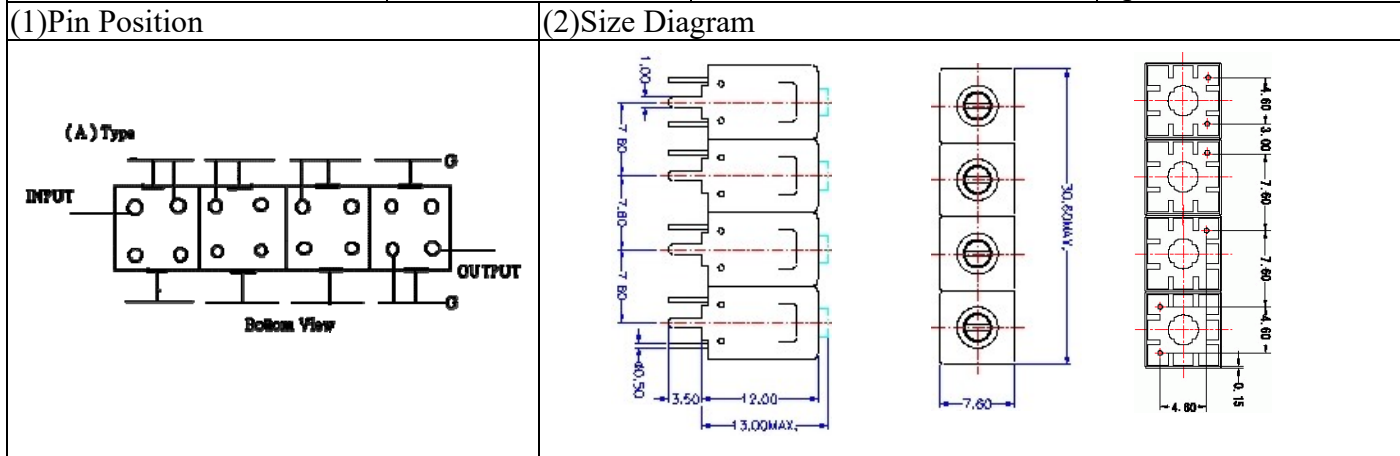


VHF UHF Helical Filter Specification Sheet

Customer Name		Temwell's Part No.	TF64727A-868M
Approval No. /dated	201802054CD	Temwell's Print Name	64727A 868M
Work Instruction No.	201802054CD	Date	Apr.03.2018



(3) Electric Characteristic

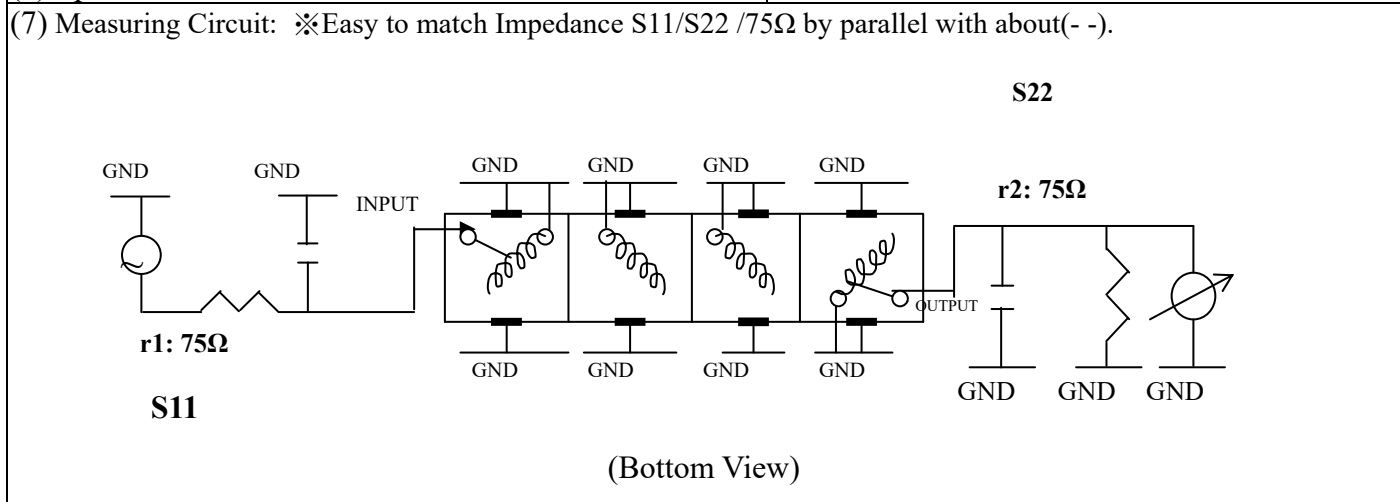
Item	Specify	Performance
Center Freq.(Fo) +/- 0.5 %	868 MHz	868 MHz
Insertion Loss	Typ. 7.5 dB	6.55 dB
-3 dB Bandwidth	Typ. 2 MHz	9.9 MHz
Sensitivity (Attenuation)	Fo - 50 MHz	Typ. 52 dBc
	Fo + 50 MHz	Typ. 50 dBc
	Fo - ()MHz	Typ. dBc
	Fo +()MHz	Typ. dBc
Return Loss	Min. 12 dB	32.3 dB
Ripple	< 1 dB	dB
Impedance	In / Out : 50 Ω	In / Out : 50 Ω

(4) Torque for Tuning Screw > 60gf · cm

(5) Temperature Condition:

Operating Temperature	0°C ~ +60°C
Storage Temperature	-20°C ~ +70°C

(6) Input Power > 1Watt

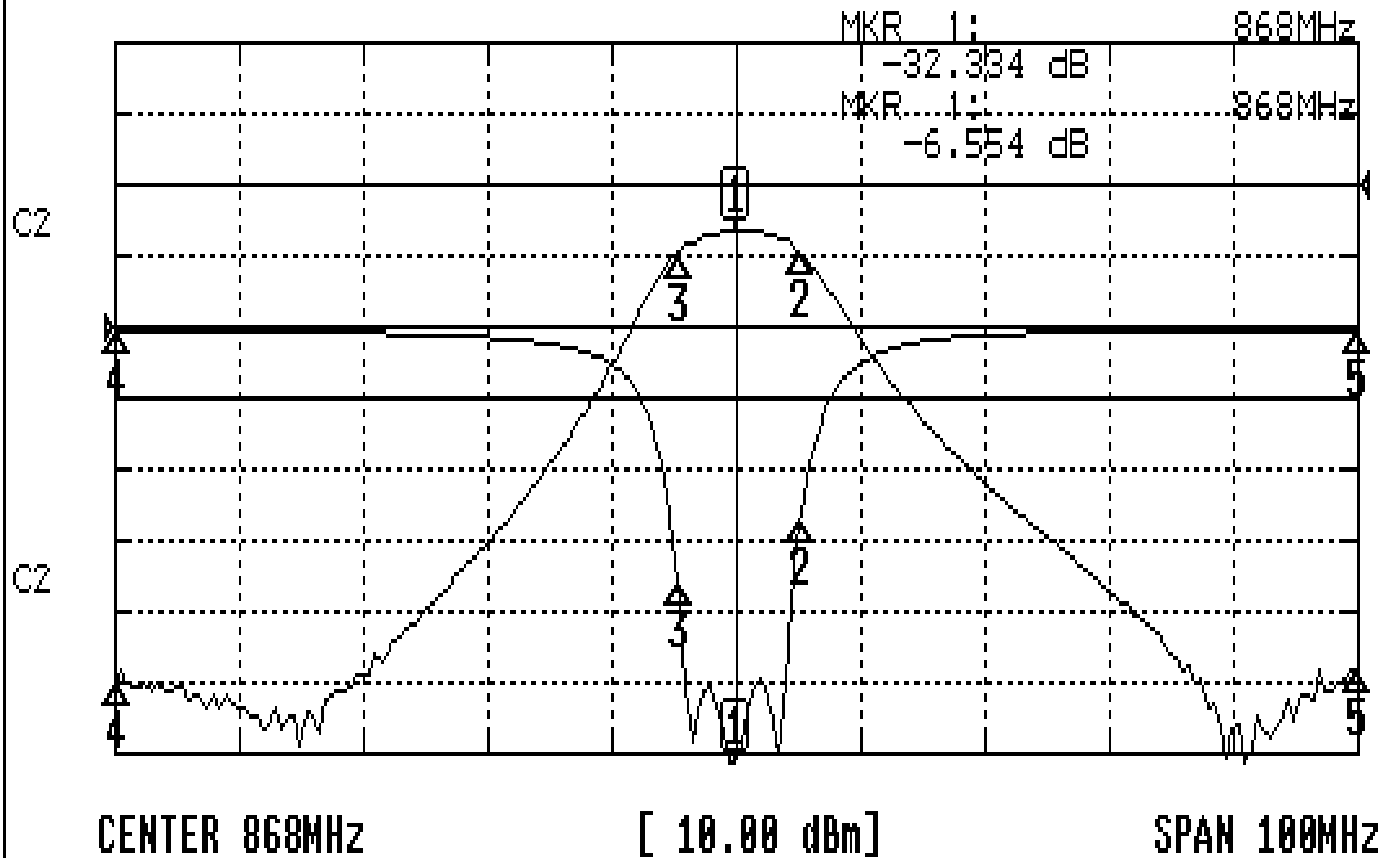


Approval	Supervisor	Designer	Aperture size
C.Y.Chang	C.K.Chang	M.Y.Kang	7H4S(4*4.65)(4.67) 7H046LB4.3 聚 3

Performance-TF64727A-868M

201802054CD

CH1 S11 LOG MAG REF 0.000 dB 5.000 dB/
CH2 S21 LOG MAG REF 0.000 dB 10.000 dB/



CH1 MARKER LIST

Marker	Frequency (MHz)	Value (dB)
1	868.000	-32.334
2	873.250	-13.539
3	863.300	-17.690
4	918.000	-0.248
5	918.000	-0.200

CH2 MARKER LIST

Marker	Frequency (MHz)	Value (dB)
1	868.000	-6.553
2	873.250	-9.514
3	863.300	-9.572
4	918.000	-69.109
5	918.000	-67.813