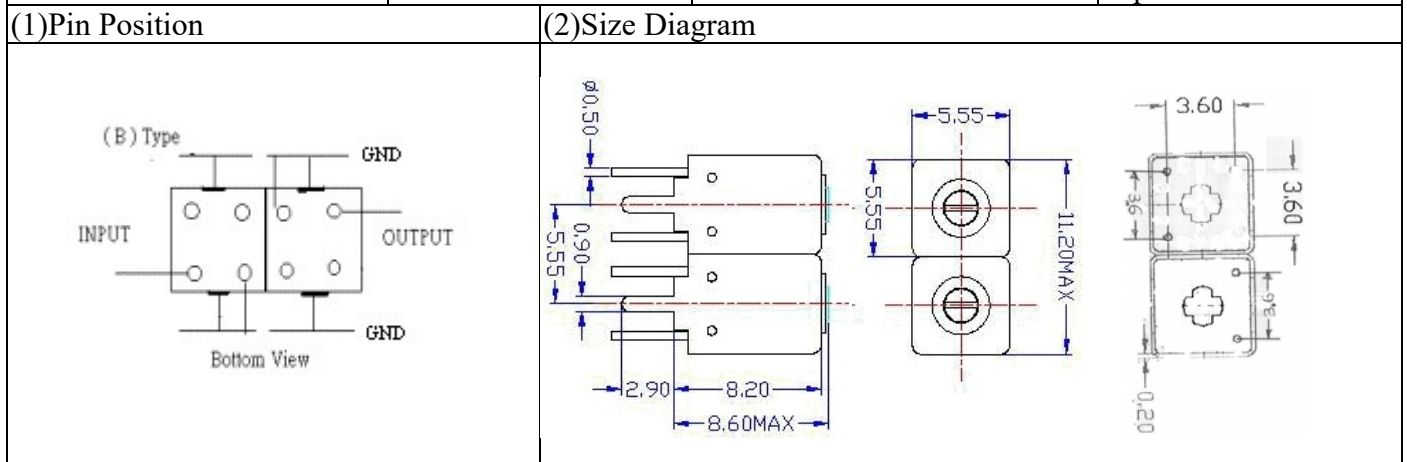


# VHF UHF Helical Filter Specification Sheet

Customer Name		Temwell's Part No.	TDW21046B-915M
Approval No. /dated	201709045CD	Temwell's print Name.	21046B 915M
Work Instruction No.	201709045CD	Date	Sep22.2017



### (3) Electric Characteristic

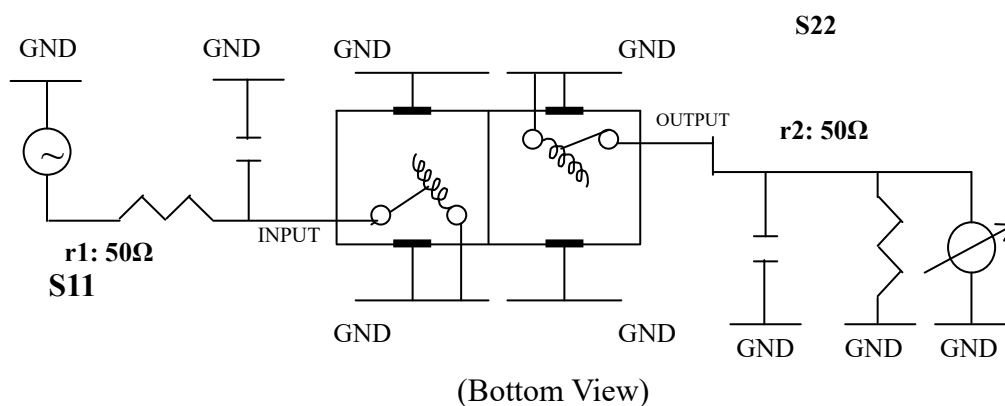
Item	Specify	Performance	
Center Freq.(Fo) +/- 0.5 %	915 MHz	915 MHz	
Insertion Loss	Typ. 7.0 dB	6.07 dB	
-3 dB Bandwidth	Typ. 5 MHz	11.7 MHz	
Sensitivity (Attenuation)	Fo - 50 MHz	Typ. 33 dBc	38 dBc
	Fo + 50 MHz	Typ. 27 dBc	32 dBc
	Fo - ( )MHz	Typ. dBc	dBc
	Fo + ( )MHz	Typ. dBc	dBc
Return Loss	Min. 12 dB	30.9 dB	
Ripple	< 1 dB	dB	
Impedance	In / Out : 50 Ω	In / Out : 50 Ω	
(4) Torque for Tuning Screw	> 60gf · cm		

### (5) Temperature Condition:

Operating Temperature	0°C ~ +60°C
Storage Temperature	-20°C ~ +70°C

### (6) Input Power

(7) Measuring Circuit: ※Easy to match Impedance 50Ω by parallel with about (- -)



Approval	Supervisor	Designer	Aperture size
C.Y.Chang	C.K.Chang	C.S.Chang	5W2S(3.8*3.5)(3.52) 5HW024RB3

TEMWELL CORPORATION

TEMWELL

Form10-5W2B Vision D

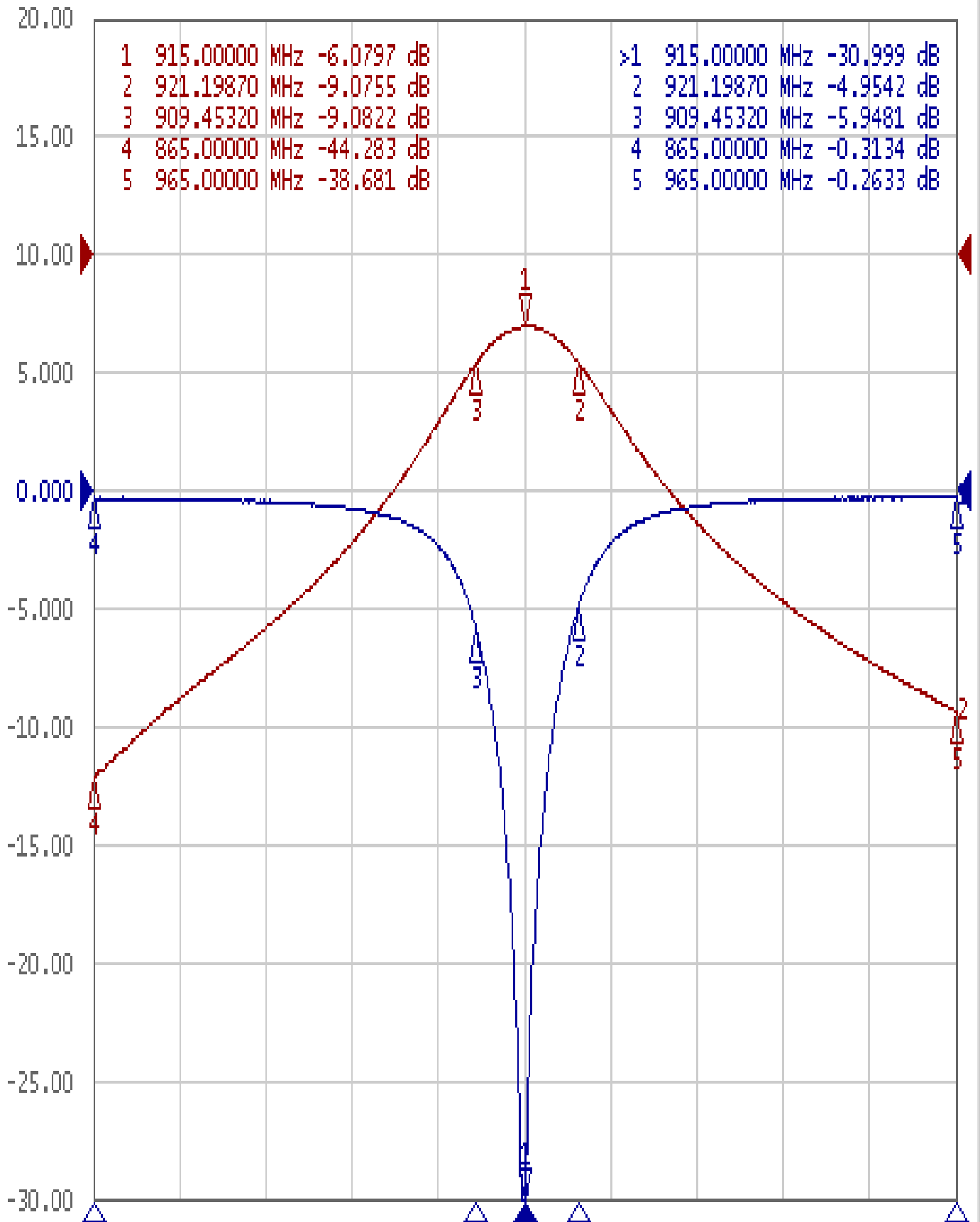
RP (C.S.C)

# Performance-TDW21046B-915M

## 201709045CD

Tr1 S11 Log Mag 5.000dB/ Ref 0.000dB [F2]

Tr2 S21 Log Mag 10.00dB/ Ref 0.000dB [F2]



1 Center 915 MHz

IFBW 70 kHz

Span 100 MHz Cor !