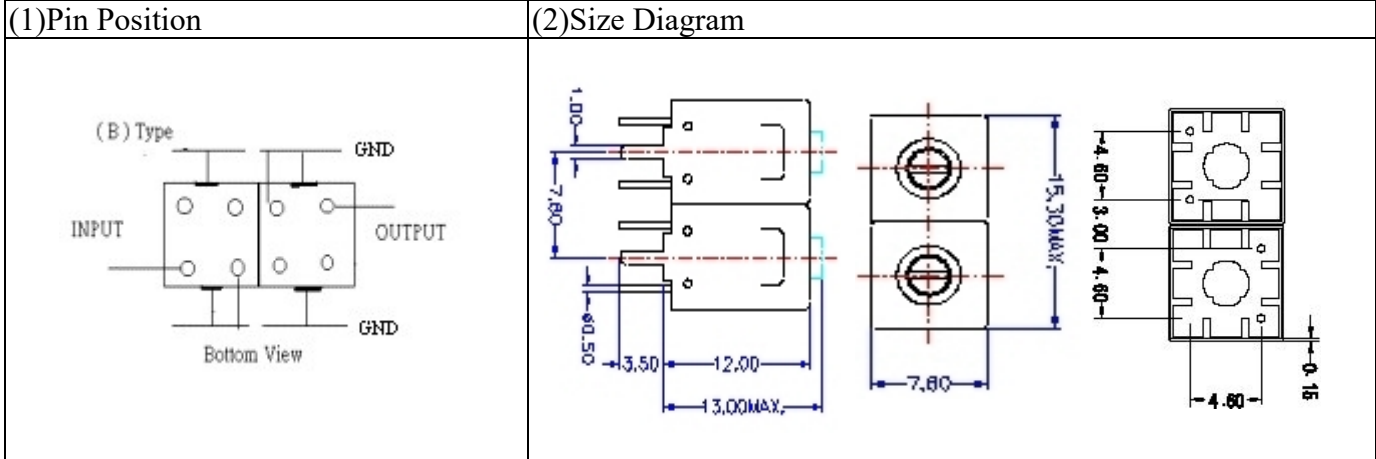


# VHF UHF Helical Filter Specification Sheet

Customer Name		Temwell's Part No.	TD62720B-915M
Approval No. /dated	201709041CD	Temwell's print Name	62720B 915M
Work Instruction No.	201709041CD	Date	Sep.21.2017



(3) Electric Characteristic

Item	Specify	Performance
Center Freq.(Fo) +/- 0.5 %	915 MHz	915 MHz
Insertion Loss	Typ. 7.0 dB	5.61 dB
-3 dB Bandwidth	Typ. 5 MHz	8.2 MHz
Sensitivity (Attenuation)	Fo -50 MHz	Typ. 40 dBc
	Fo +50 MHz	Typ. 33 dBc
	Fo -( )MHz	Typ. dBc
	Fo +( )MHz	Typ. dBc
Return Loss	Min. 12 dB	24.4 dB
Ripple	< 1 dB	dB
Impedance	In / Out : 50 Ω	In / Out : 50 Ω

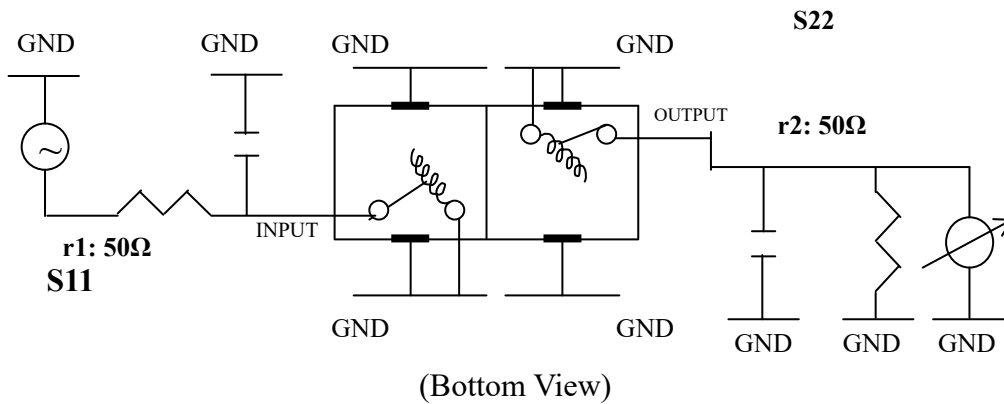
(4) Torque for Tuning Screw > 60gf · cm

(5) Temperature Condition:

Operating Temperature	0°C ~ +60°C
Storage Temperature	-20°C ~ +70°C

(6) Input Power > 1Watt

(7) Measuring Circuit: ※Easy to match Impedance S11/S22 50Ω by parallel with about (- -).



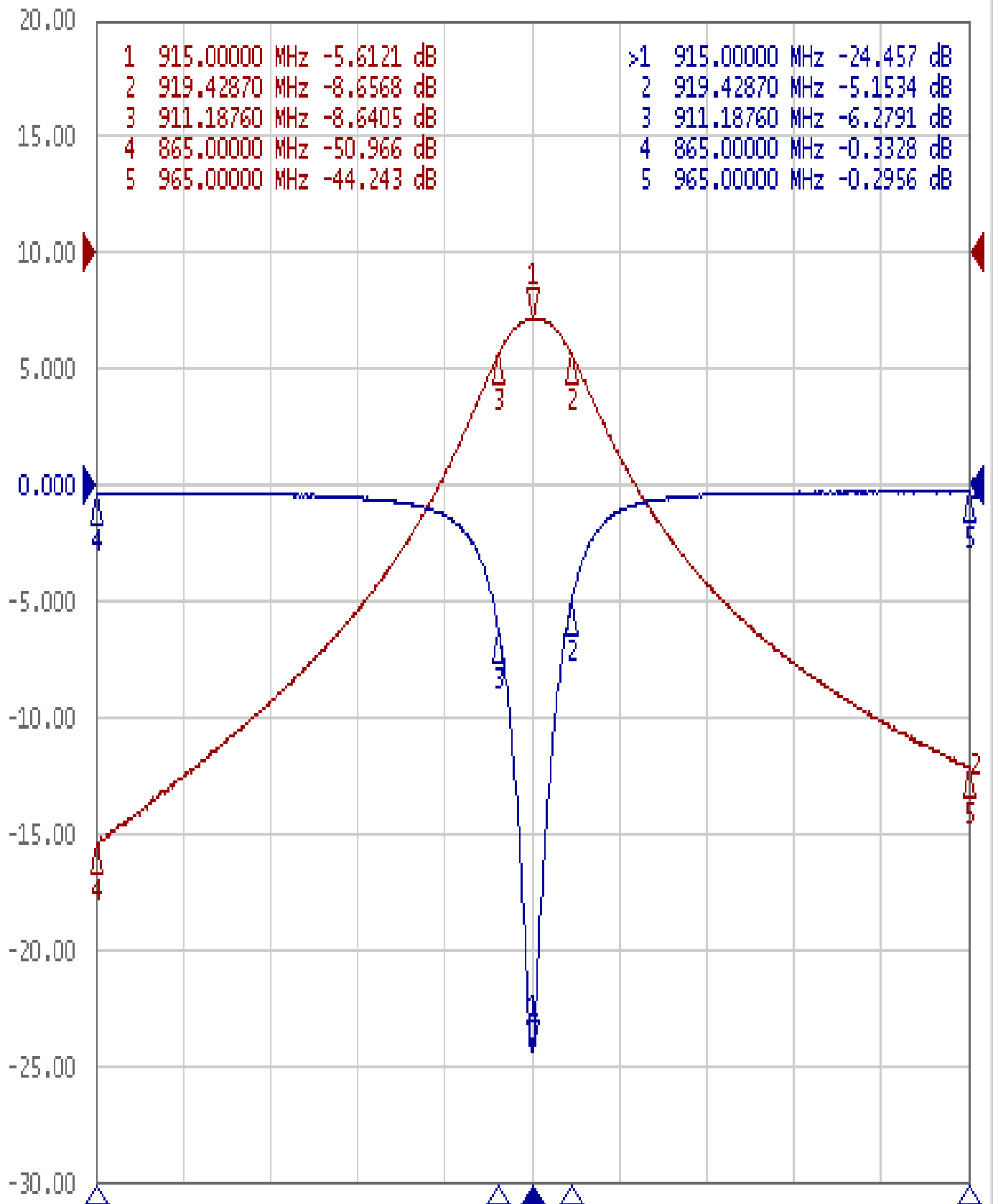
Approval	Supervisor	Designer	Aperture size
C.Y.Chang	C.K.Chang	C.S.Chang	7H2S(4*4.5)(4.52) 7H046RB4

# Performance-TD62720B-915M

## 201709041CD

Tr1 S11 Log Mag 5.000dB/ Ref 0.000dB [F2]

Tr2 S21 Log Mag 10.000dB/ Ref 0.000dB [F2]



1 Center 915 MHz

IFBW 70 kHz

Span 100 MHz Cor !