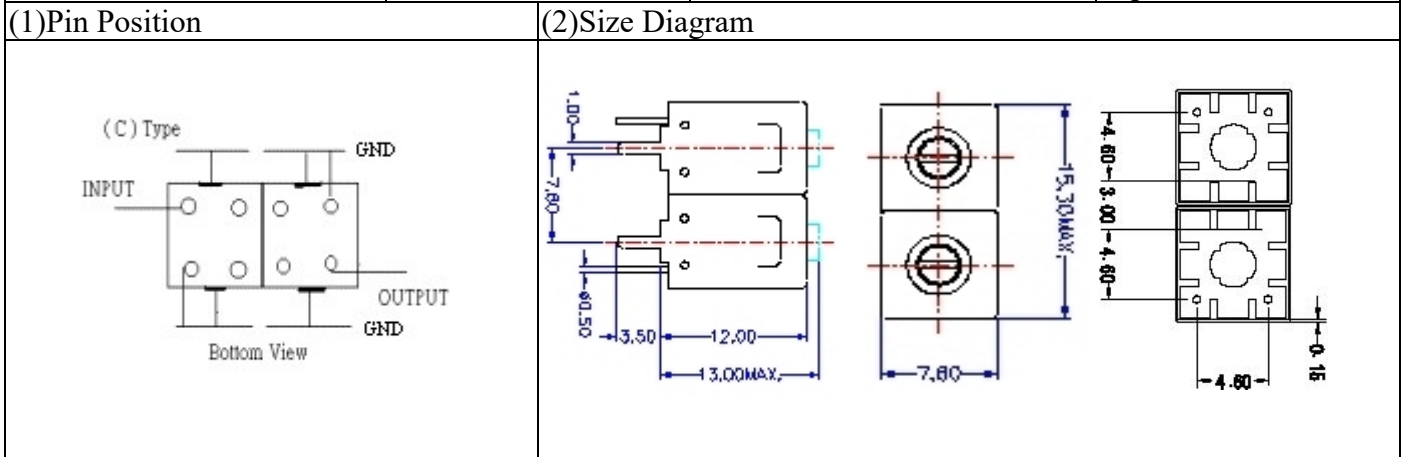


# VHF UHF Helical Filter Specification Sheet

Customer Name		Temwell's Part No.	TD62719C-868M
Approval No. /dated	201709040CD	Customer's Part No.	62719C 868M
Work Instruction No.	201709040CD	Date	Sep.19.2017



(3) Electric Characteristic

Item	Specify	Performance	
Center Freq.(Fo) +/- 0.5 %	868 MHz	868 MHz	
Insertion Loss	Typ. 7.0 dB	5.79 dB	
-3 dB Bandwidth	Typ. 5 MHz	11.1 MHz	
Sensitivity (Attenuation)	Fo - 50 MHz	Typ. 30 dBc	35 dBc
	Fo + 50 MHz	Typ. 25 dBc	30 dBc
	Fo - ( )MHz	Typ. dBc	dBc
	Fo +( )MHz	Typ. dBc	dBc
Return Loss	Min. 12 dB	26.3 dB	
Ripple	< 1 dB	dB	
Impedance	In / Out : 50 Ω	In / Out : 50 Ω	

(4) Torque for Tuning Screw > 60gf · cm

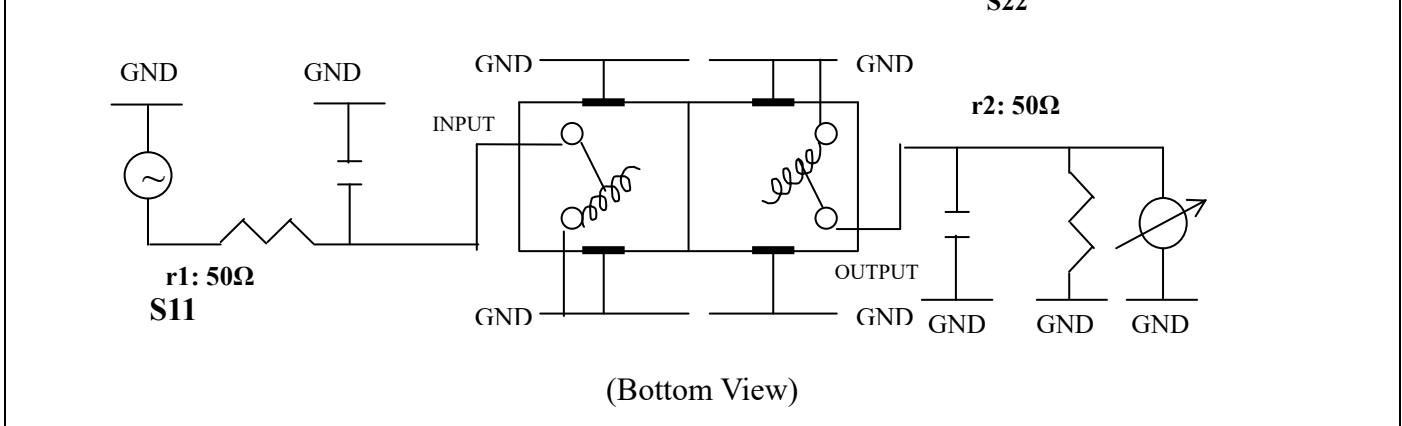
(5) Temperature Condition:

Operating Temperature	0°C ~ +60°C
-----------------------	-------------

Storage Temperature	-20°C ~ +70°C
---------------------	---------------

(6) Input Power > 1Watt

(7) Measuring Circuit: ※Easy to match Impedance S11/S22 50Ω/ by parallel with about(- -).

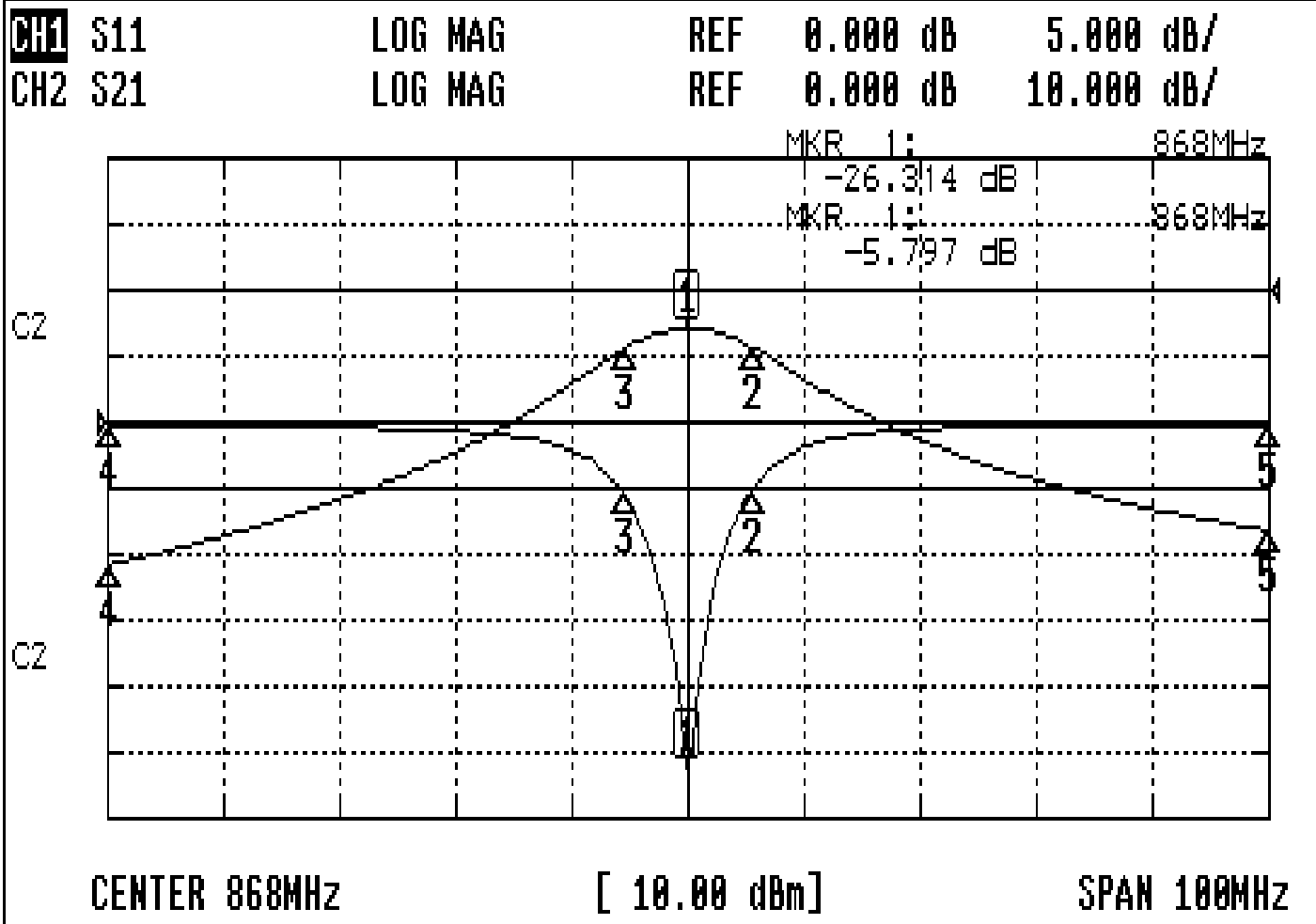


Approval C.Y.Chang	Supervisor C.S.Chang	Designer C.H.Yeh	Aperture size 7H2S(4*4.5)(4.56) 7H046RB4(J1)
-----------------------	-------------------------	---------------------	--

TEMWELL CORPORATION

# Performance-TD62719C-868M

## 201709040CD



CH1 MARKER LIST			
1:	868.000MHz	-26.318	dB
2:	873.666MHz	-4.998	dB
3:	862.500MHz	-5.422	dB
4:	818.000MHz	-0.229	dB
5:	918.000MHz	-0.196	dB
10:			

CH2 MARKER LIST			
1:	868.000MHz	-5.797	dB
2:	873.666MHz	-8.724	dB
3:	862.500MHz	-8.765	dB
4:	818.000MHz	-41.574	dB
5:	918.000MHz	-36.858	dB
10:			