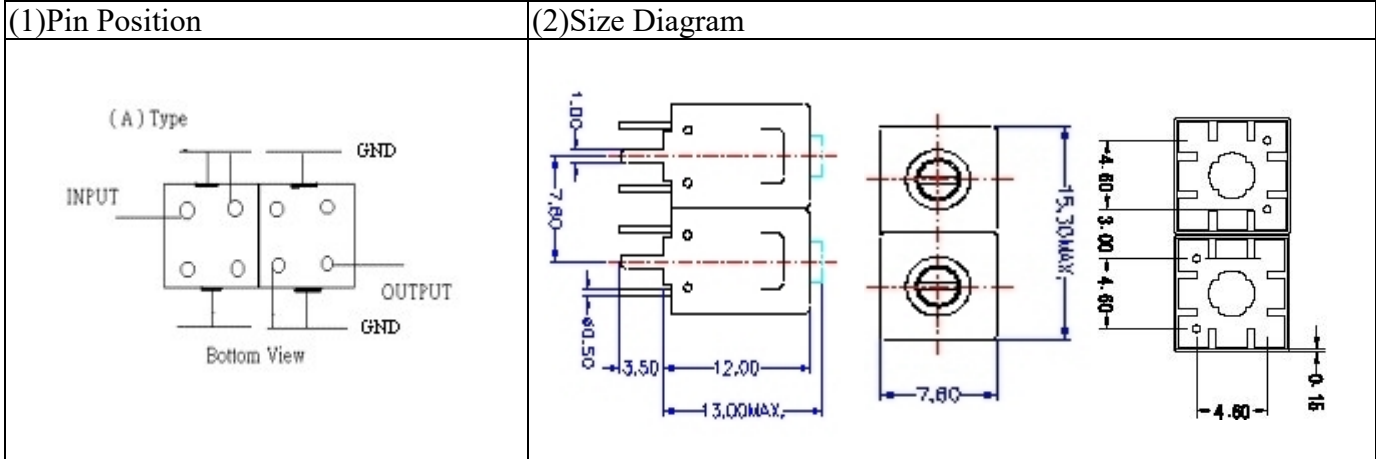


# VHF UHF Helical Filter Specification Sheet

Customer Name		Temwell's Part No.	TD62718A-700M
Approval No. /dated	201709039CD	Temwell's Print Name.	62717A 700M
Work Instruction No.	201709039CD	Date	Oct.06.2017



(3) Electric Characteristic

Item	Specify	Performance	
Center Freq.(Fo) +/- 0.5 %	700 MHz	700 MHz	
Insertion Loss	10 dB	8.63 dB	
-3 dB Bandwidth	Typ. 2 MHz	5.8 MHz	
Sensitivity (Attenuation)	Fo -30 MHz	Typ. 35 dBc	39 dBc
	Fo +30 MHz	Typ. 30 dBc	34 dBc
	Fo - ( )MHz	Typ. dBc	dBc
	Fo +( )MHz	Typ. dBc	dBc
Return Loss	Min. 12 dB	25.1 dB	
Ripple	< 1 dB	dB	
Impedance	In / Out : 50 Ω	In / Out : 50 Ω	

(4) Torque for Tuning Screw > 60gf • cm

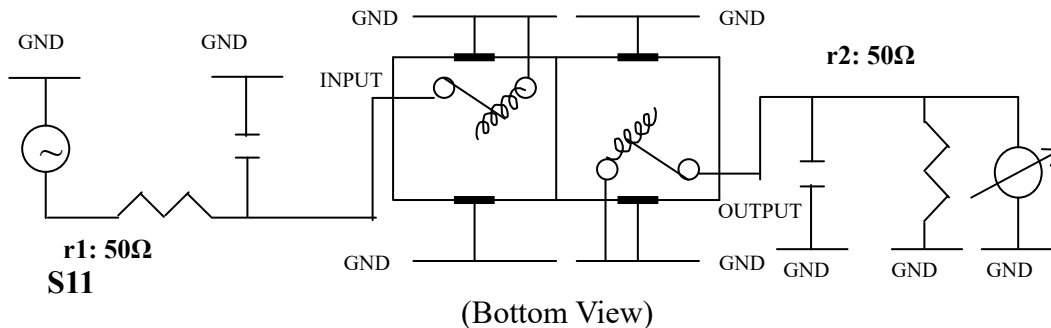
(5) Temperature Condition:

Operating Temperature	0°C ~ +60°C
Storage Temperature	-20°C ~ +70°C

(6) Input Power > 1Watt

(7) Measuring Circuit: ※Easy to match Impedance 50Ω by parallel with about (- -).

S22



Approval	Supervisor	Designer	Aperture size
C.Y.Chang	C.K.Chang	P.H.Chiang	7H2S(4*4.5)(4.53) 7H046LB4.3 聚 3-J1

TEMWELL CORPORATION

# Performance-TD62718A-700M

## 201709039CD

