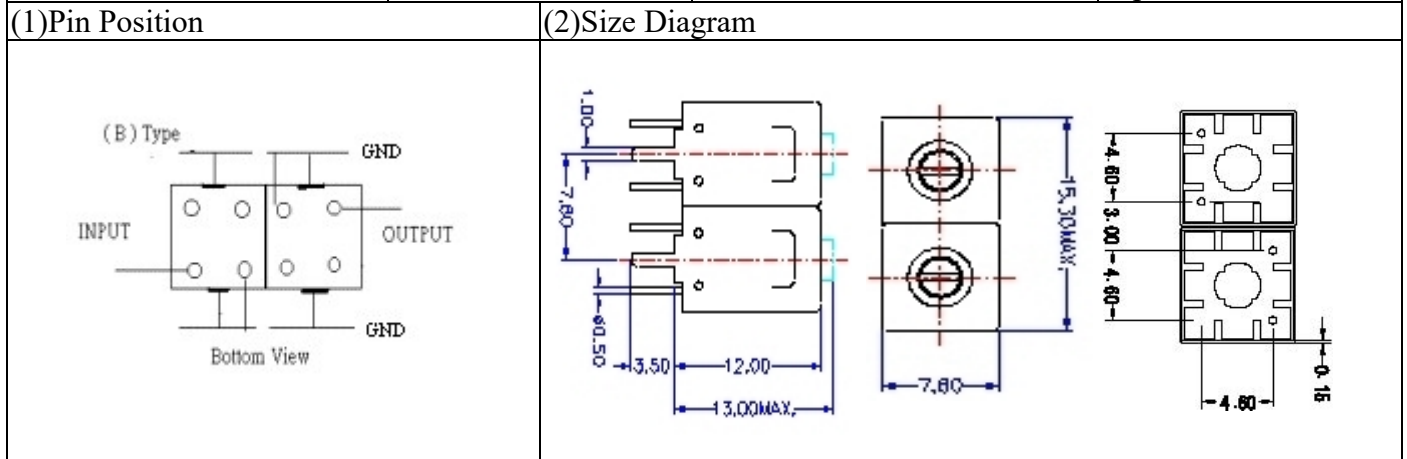


VHF UHF Helical Filter Specification Sheet

Customer Name		Temwell's Part No.	TD62715B-160M
Approval No. /dated	201709036CD	Temwell's print Name	62715B 160M
Work Instruction No.	201709036CD	Date	Sep.18.2017



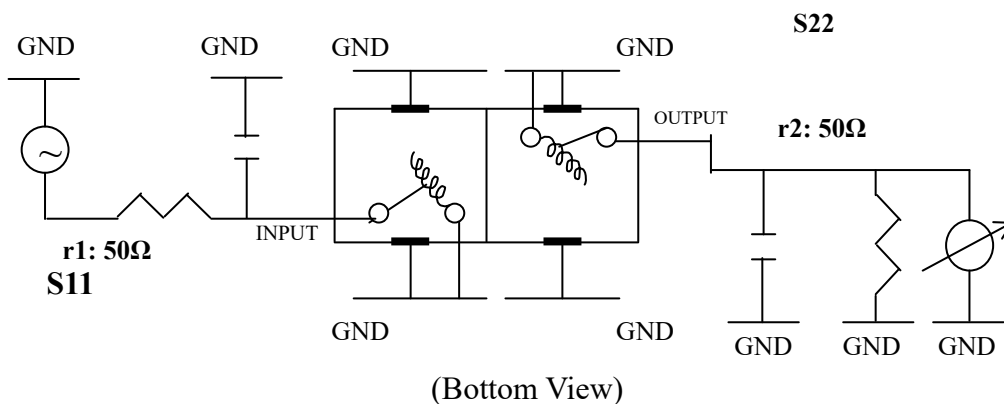
(3) Electric Characteristic		Item	Specify	Performance
		Center Freq.(Fo) +/- 0.5 %	160 MHz	160 MHz
		Insertion Loss	Typ. 3.5 dB	2.64 dB
		-3 dB Bandwidth	Typ. 2 MHz	5.3 MHz
Sensitivity (Attenuation)	Fo - 10 MHz	Typ. 16 dBc	19 dBc	
	Fo + 10 MHz	Typ. 21 dBc	24 dBc	
	Fo - ()MHz	Typ. dBc	dBc	
	Fo +()MHz	Typ. dBc	dBc	
		Return Loss	Min. 12 dB	20.2 dB
		Ripple	< 1 dB	dB
		Impedance	In / Out : 50 Ω	In / Out : 50 Ω

(4) Torque for Tuning Screw > 60gf · cm

(5) Temperature Condition:	
Operating Temperature	0°C ~ +60°C
Storage Temperature	-20°C ~ +70°C

(6) Input Power > 1Watt

(7) Measuring Circuit: ※Easy to match Impedance S11/S22 50Ω by parallel with about (- -).



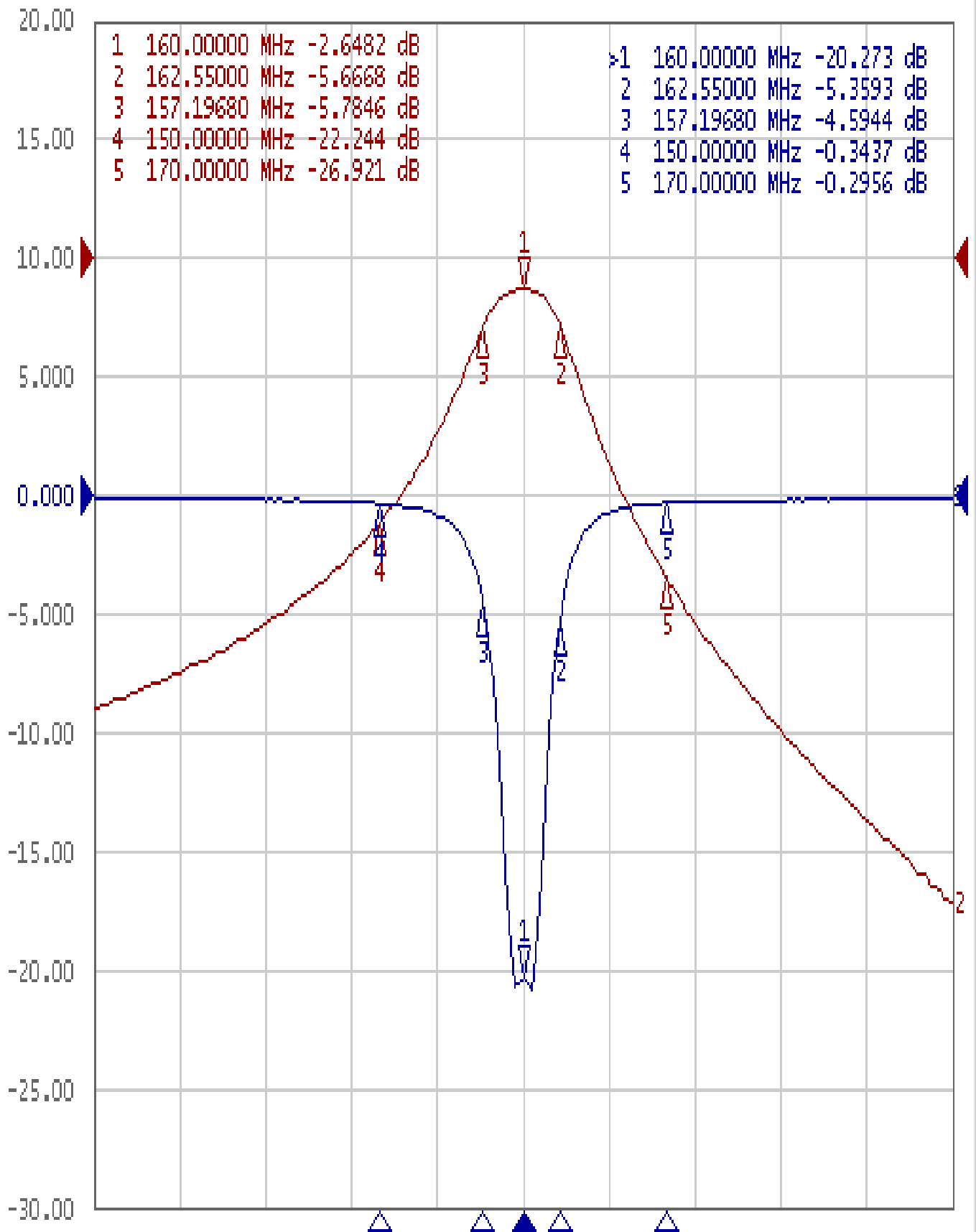
Approval	Supervisor	Designer	Aperture size
C.Y.Chang	C.K.Chang	W.W.Wang	7H2S(4*5.35)(5.40) 7H024LB4

TEMWELL CORPORATION

Performance-TD62715B-160M

201709036CD

Tr1 S11 Log Mag 5.000dB/ Ref 0.000dB [F2]
Tr2 S21 Log Mag 10.00dB/ Ref 0.000dB [F2]



1 Center 160 MHz

IFBW 70 kHz

Span 60 MHz Cor !