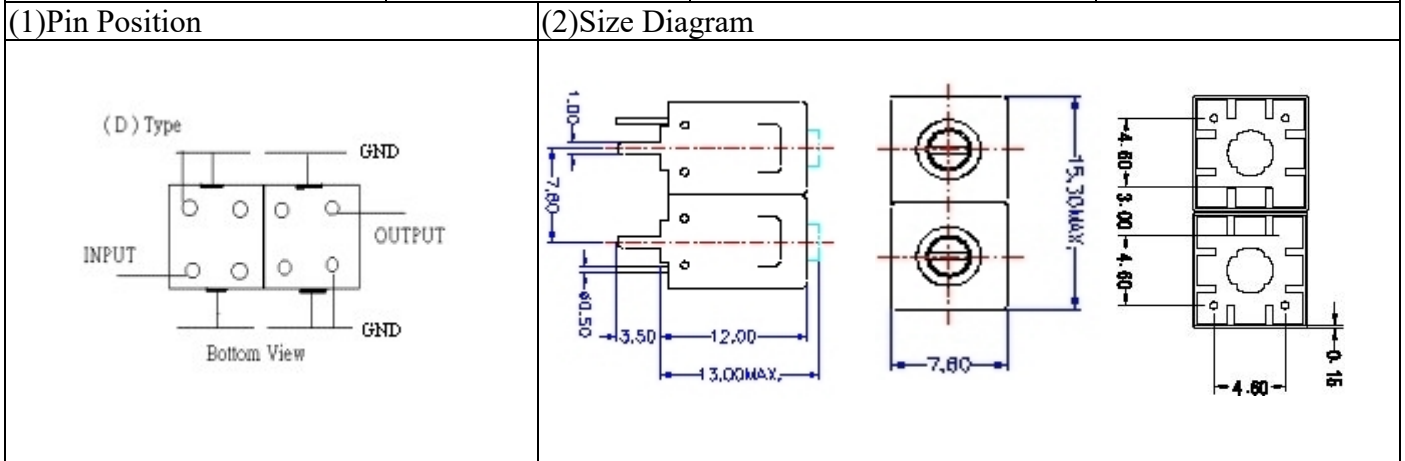


VHF UHF Helical Filter Specification Sheet

Customer Name		Temwell's Part No.	TD62713D-146M
Approval No. /dated	201709034CD	Customer's Part No.	62713D 146M
Work Instruction No.	201709034CD	Date	Nov.13.2017



(3) Electric Characteristic

Item	Specify	Performance	
Center Freq.(Fo) +/- 0.5 %	146 MHz	146 MHz	
Insertion Loss	Typ. 3.5 dB	2.64 dB	
-3 dB Bandwidth	Typ. 3 MHz	5.9 MHz	
Sensitivity (Attenuation)	Fo - 30 MHz	Typ. 30 dBc	35 dBc
	Fo + 30 MHz	Typ. 35 dBc	40 dBc
	Fo - ()MHz	Typ. dBc	dBc
	Fo +()MHz	Typ. dBc	dBc
Return Loss	Min. 12 dB	18.0 dB	
Ripple	< 1 dB	dB	
Impedance	In / Out : 50 Ω	In / Out : 50 Ω	

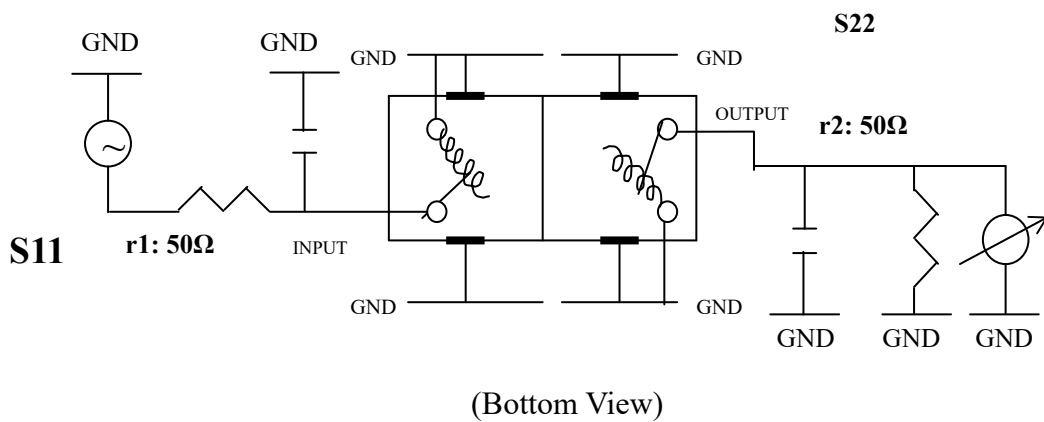
(4) Torque for Tuning Screw > 60gf · cm

(5) Temperature Condition:

Operating Temperature	0°C ~ +60°C
Storage Temperature	-20°C ~ +70°C

(6) Input Power > 1Watt

(7) Measuring Circuit: ※Easy to match Impedance 50Ω by parallel with about (- -)



Approval	Supervisor	Designer	Aperture size
C.Y.Chang	C.K.Chang	C.H.Yeh	7H2S(4*6.35)(6.39) 7H024LB4

TEMWELL CORPORATION

TEMWELL

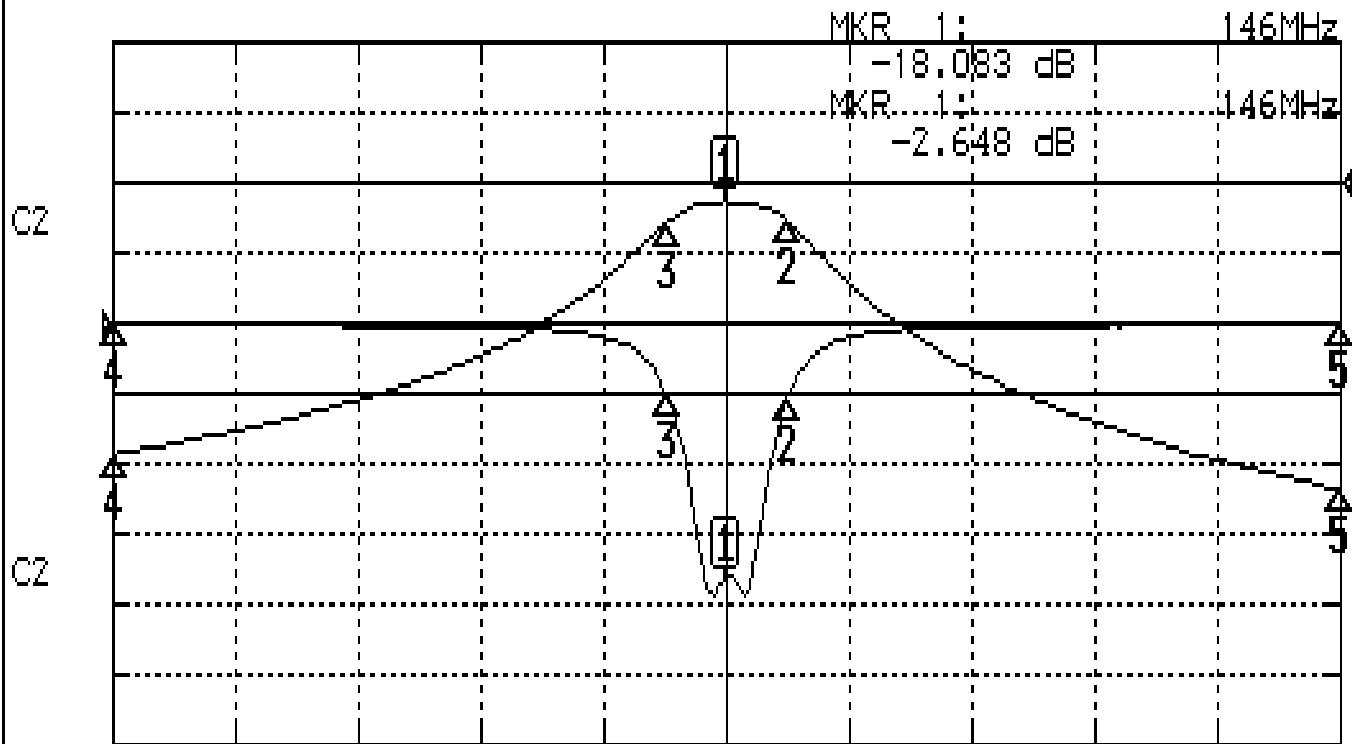
Form10-7H2D Vision D

(C.H.Y)

Performance-TD62713D-146M

201709034CD

CH1 S11 LOG MAG REF 0.000 dB 5.000 dB/
CH2 S21 LOG MAG REF 0.000 dB 10.000 dB/



CENTER 146MHz

[10.00 dBm]

SPAN 60MHz

CH1 MARKER LIST

Marker	Frequency (MHz)	Magnitude (dB)
1:	146.000MHz	-18.083 dB
2:	149.050MHz	-5.239 dB
3:	143.100MHz	-4.943 dB
4:	116.000MHz	-0.109 dB
5:	176.000MHz	-0.099 dB

CH2 MARKER LIST

Marker	Frequency (MHz)	Magnitude (dB)
1:	146.000MHz	-2.648 dB
2:	149.050MHz	-1.117 dB
3:	143.100MHz	-1.117 dB
4:	116.000MHz	-38.586 dB
5:	176.000MHz	-43.568 dB