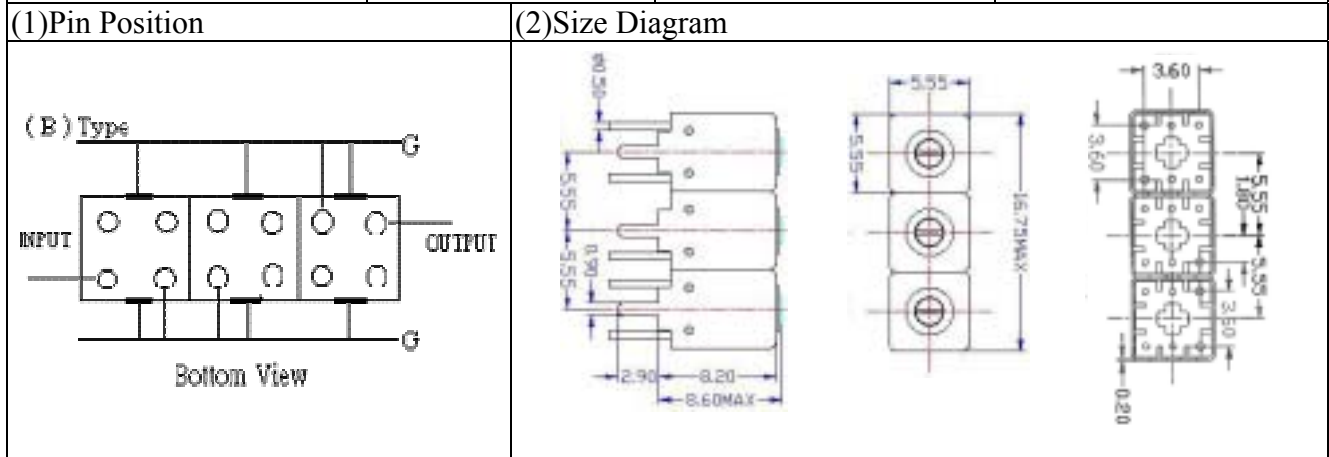


# VHF UHF Helical Filter Specification Sheet

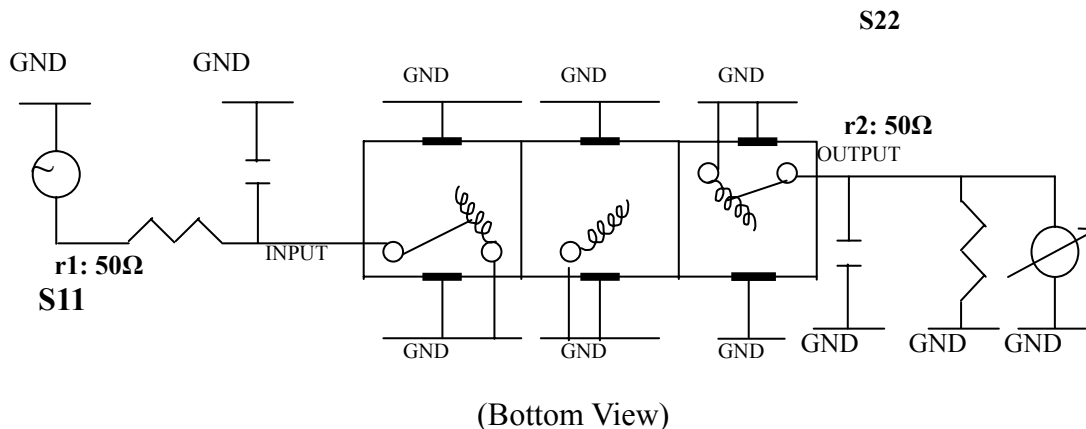
Customer Name		Temwell's Part No.	TTW3759B-1270M
Approval No. /dated	201107056CD	Temwell's Print Name.	3759B 1270M
Work Instruction No.	201107056CD	Date	Jul.19.2011



### (3) Electric Character

Item	Specify	
Center Freq.(Fo ) +/- 0.5 %	1270	MHz
Insertion Loss	Typ. 2.5	dB
-3 dB Bandwidth	Typ. 65	MHz
Sensitivity (Attenuation )	Fo - 200 MHz	Typ. 42 dBc
	Fo + 200 MHz	Typ. 27 dBc
	Fo - ( )MHz	Typ. dBc
	Fo +( )MHz	Typ. dBc
Return Loss	Min. 12	dB
Ripple	< 1	dB
Impedance	In / Out : 50 Ω	
(4)Torque for Tuning Screw	> 60gf cm	
(5)Temperature Condition:		
Operating Temperature	0 ~ +60	
Storage Temperature	-20 ~ +70	
(6)Input Power	> 0.5Watt	

(7)Measuring Circuit: Easy to match Impedance S11/S22 50Ω by parallel with about( -- ) / ( -- ).



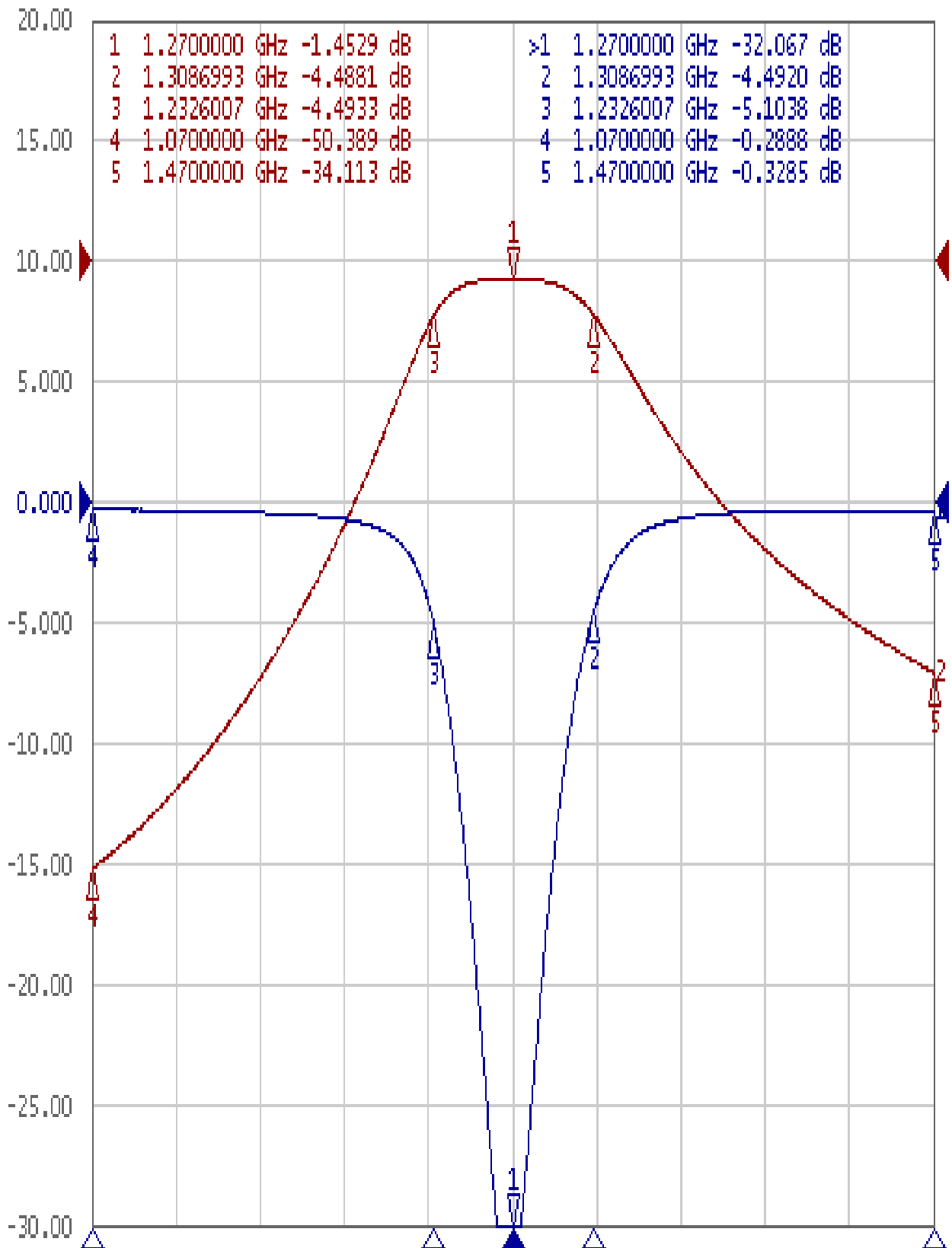
Approval C.Y.Chang	Supervisor C.K.Chang	Designer F.L.Lai	Aperture size 5W3S(3.8*5.1)(5.15) 5HW046RB3.2
-----------------------	-------------------------	---------------------	---

TEMWELL CORPORATION

# Performance-TTW3759B-1270M

## 201107056CD

Tr1 S11 Log Mag 5.000dB/ Ref 0.000dB [F2]  
Tr2 S21 Log Mag 10.00dB/ Ref 0.000dB [F2]



1 Center 1.27 GHz

IFBW 10 kHz

Span 400 MHz Cor !