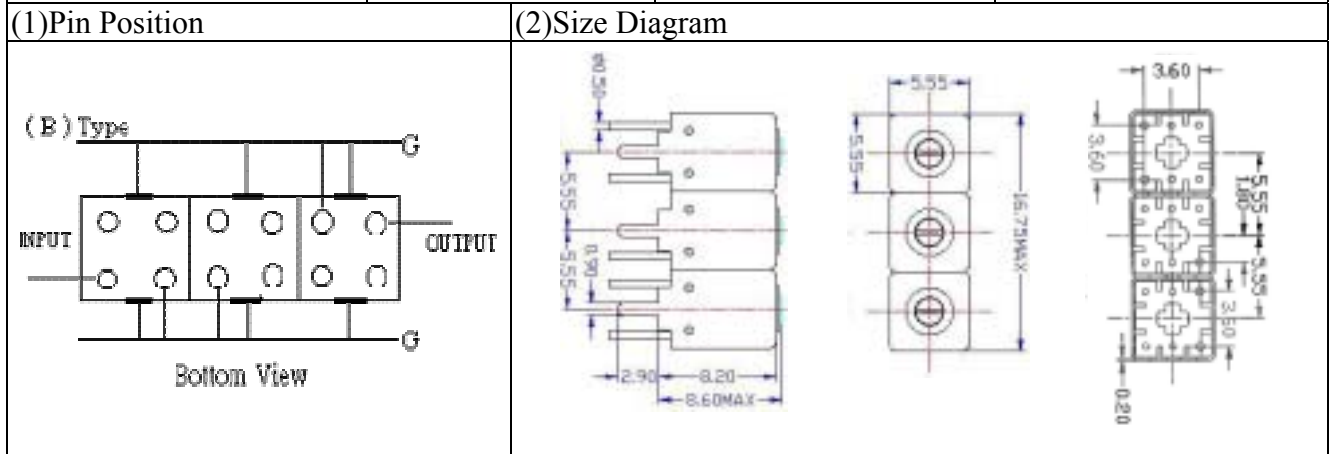


VHF UHF Helical Filter Specification Sheet

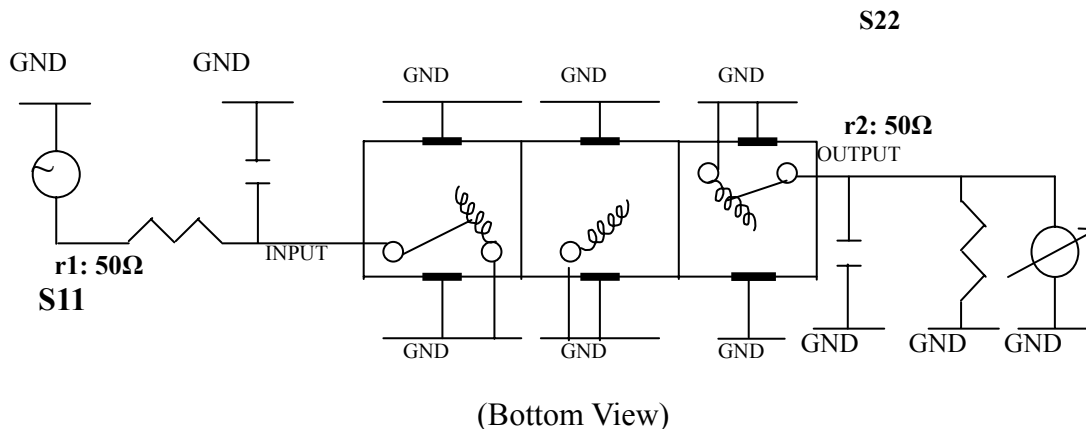
Customer Name		Temwell's Part No.	TTW3554B-1282.5M
Approval No. /dated	201107084CD	Temwell's Print Name.	3554B 1282.5M
Work Instruction No.	201107084CD	Date	Nov.22.2011



(3) Electric Character

Item	Specify		
Center Freq.(Fo) +/- 0.5 %		1282.5	MHz
Insertion Loss	Typ.	5.5	dB
-3 dB Bandwidth	Typ.	24	MHz
Sensitivity (Attenuation)	Fo - 50 MHz	Typ.	23 dBc
	Fo + 50 MHz	Typ.	16 dBc
	Fo - ()MHz	Typ.	dBc
	Fo +()MHz	Typ.	dBc
Return Loss	Min.	12	dB
Ripple		< 1	dB
Impedance		In / Out : 50 Ω	
(4)Torque for Tuning Screw			
> 60gf cm			
(5)Temperature Condition:			
Operating Temperature	0 ~ +60		
Storage Temperature	-20 ~ +70		
(6)Input Power			
> 0.5Watt			

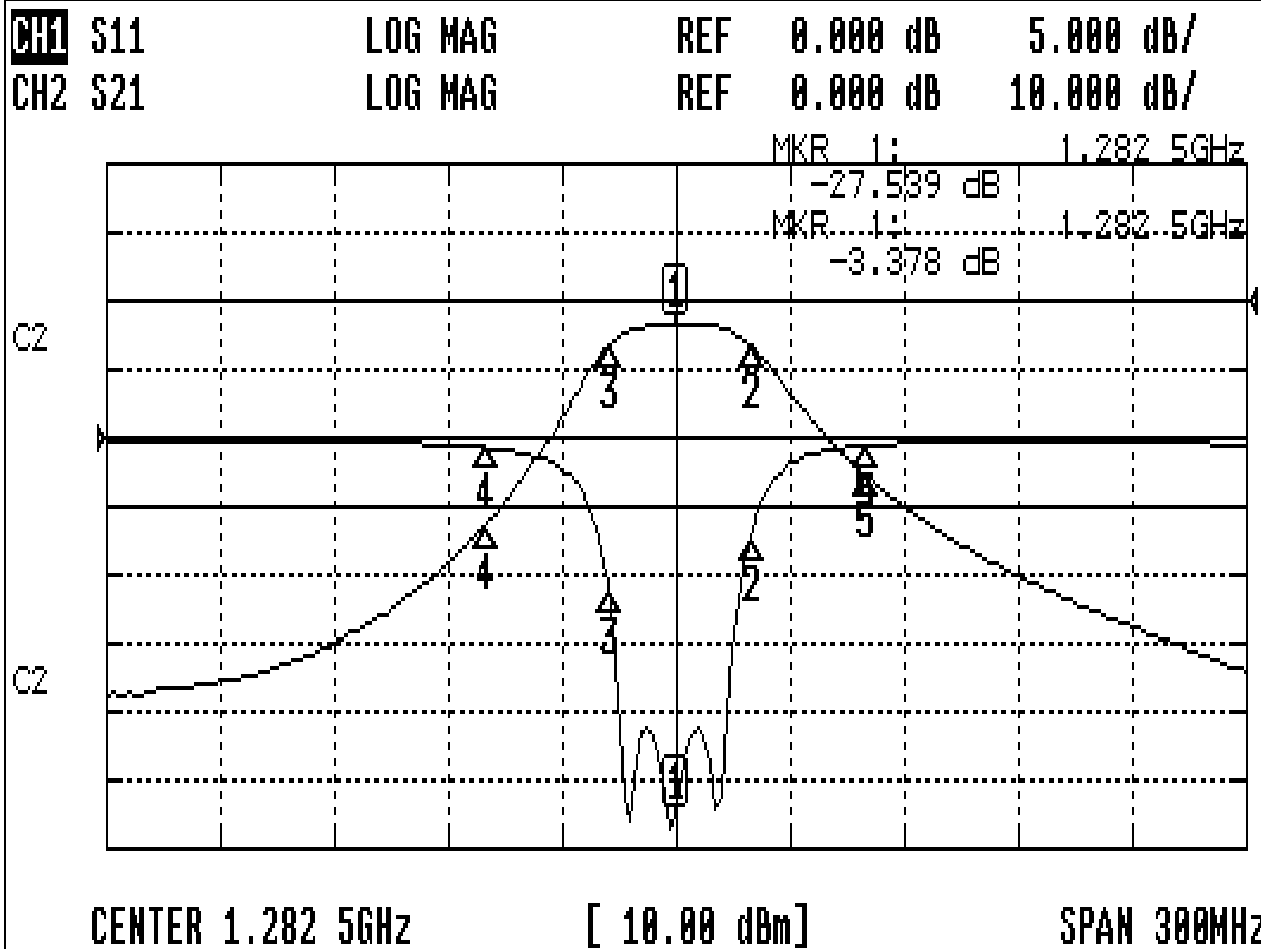
(7)Measuring Circuit: Easy to match Impedance S11/S22 50Ω by parallel with about(--) / (--).



Approval	Supervisor	Designer	Aperture size
C.Y.Chang	C.K.Chang	M.Y.Kang	5W3S(3.8*4.0)(4.10) 5HW024RB3

Performance-TTW3554B-1282.5M

201107084CD



CH1 MARKER LIST

1:	1.282	500GHz	-27.539	dB
2:	1.302	000GHz	-7.457	dB
3:	1.264	750GHz	-11.238	dB
4:	1.232	500GHz	-0.747	dB
5:	1.332	500GHz	-0.568	dB

CH2 MARKER LIST

1:	1.282	500GHz	-3.382	dB
2:	1.302	000GHz	-11.320	dB
3:	1.264	750GHz	-11.327	dB
4:	1.232	500GHz	-32.545	dB
5:	1.332	500GHz	-25.511	dB