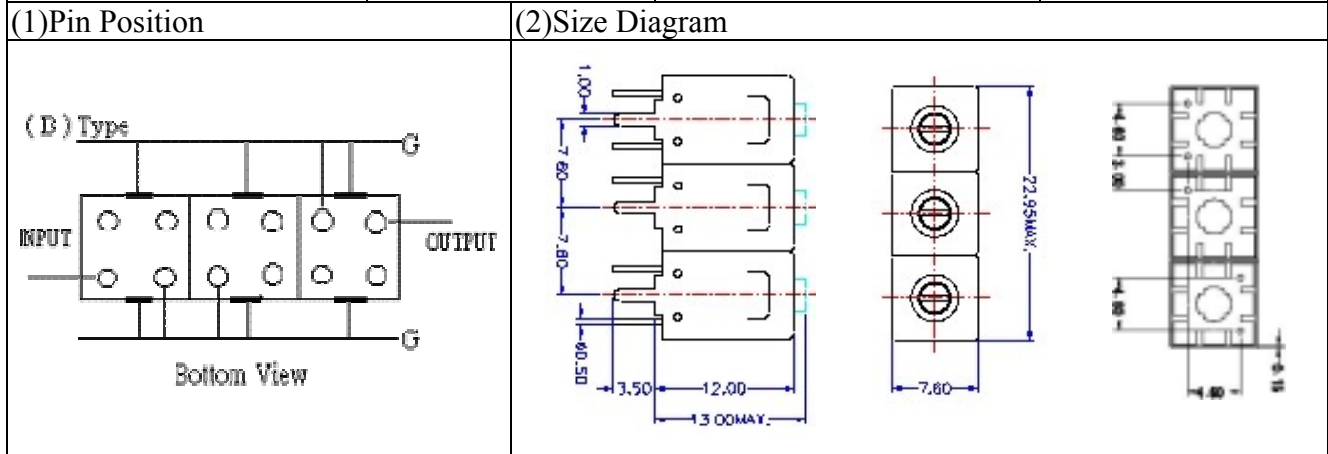
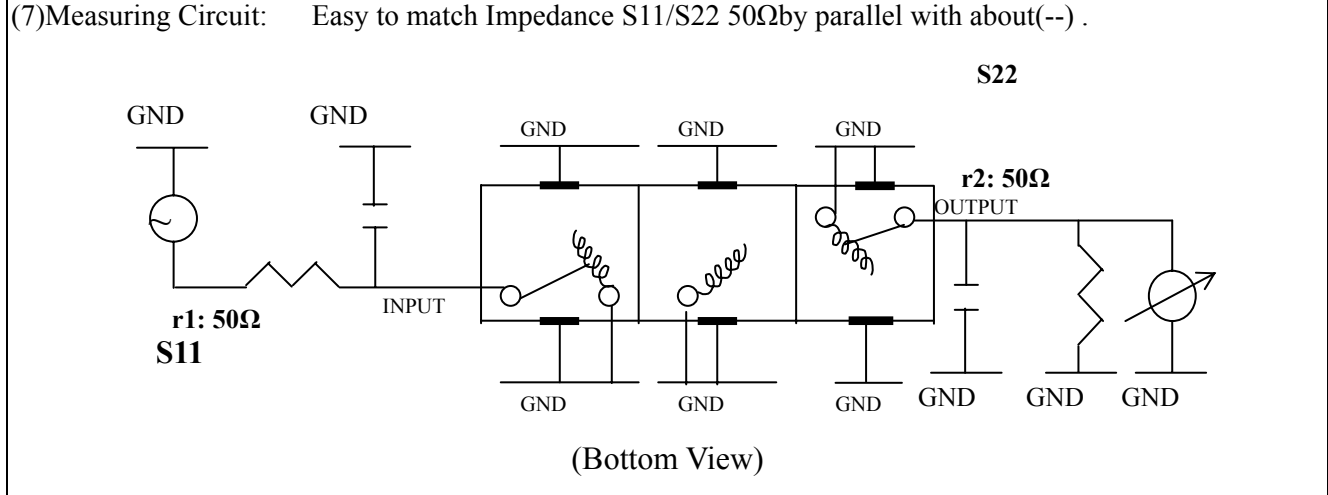


# VHF UHF Helical Filter Specification Sheet

Customer Name		Temwell's Part No.	TT67810B-1270M
Approval No. /dated	201107055CD	Temwell's Print name.	67810B 1270M
Work Instruction No.	201107055CD	Date	Jul.20.2011



(3) Electric Characteristic	
Item	Specify
Center Freq.(Fo) +/- 0.5 %	1270 MHz
Insertion Loss	Typ. 3.0 dB
-3 dB Bandwidth	Typ. 60 MHz
Sensitivity (Attenuation)	Fo - 100 MHz Typ. 28 dBc
	Fo + 100 MHz Typ. 20 dBc
	Fo - ( ) MHz Typ. dBc
	Fo + ( ) MHz Typ. dBc
Return Loss	Min. 12 dB
Ripple	< 1 dB
Impedance	In / Out : 50 Ω
(4) Torque for Tuning Screw	> 60gf cm
(5) Temperature Condition:	
Operating Temperature	0 ~ +60
Storage Temperature	-20 ~ +70
(6) Input Power	> 1Watt

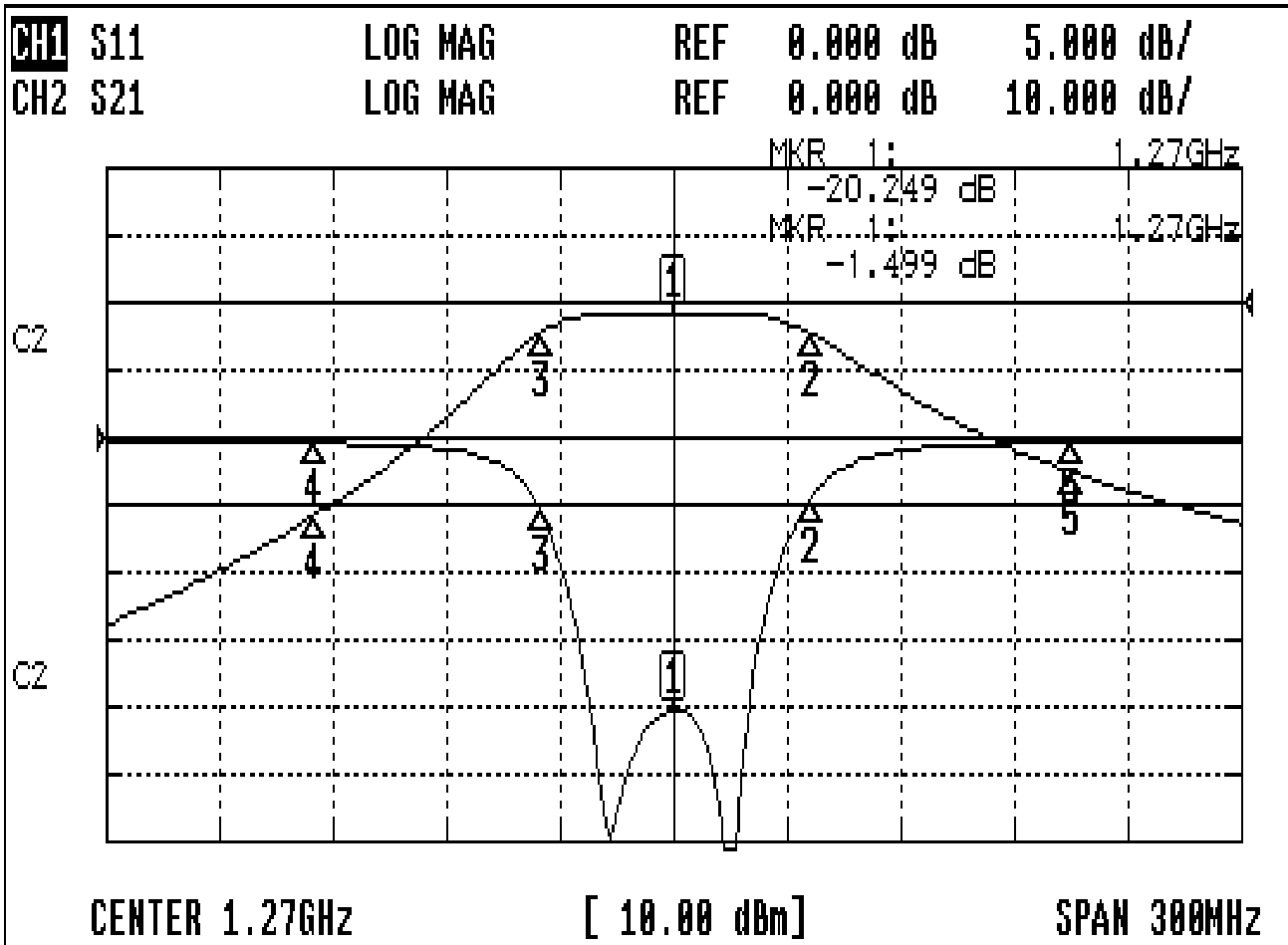


Approval C.Y.Chang	Supervisor C.K.Chang	Designer M.Y.Kang	Aperture size 7H3S(4*5.5)(5.58) 7H046RB5.5
-----------------------	-------------------------	----------------------	--------------------------------------------------

TEMWELL CORPORATION

# Performance-TT67810B-1270M

## 201107055CD



### CH1 MARKER LIST

1:	1.270	000GHz	-20.249	dB
2:	1.306	250GHz	-4.535	dB
3:	1.234	750GHz	-5.322	dB
4:	1.175	000GHz	-0.390	dB
5:	1.375	000GHz	-0.355	dB

### CH2 MARKER LIST

1:	1.270	000GHz	-1.498	dB
2:	1.306	250GHz	-4.507	dB
3:	1.234	750GHz	-4.489	dB
4:	1.175	000GHz	-31.586	dB
5:	1.375	000GHz	-25.057	dB