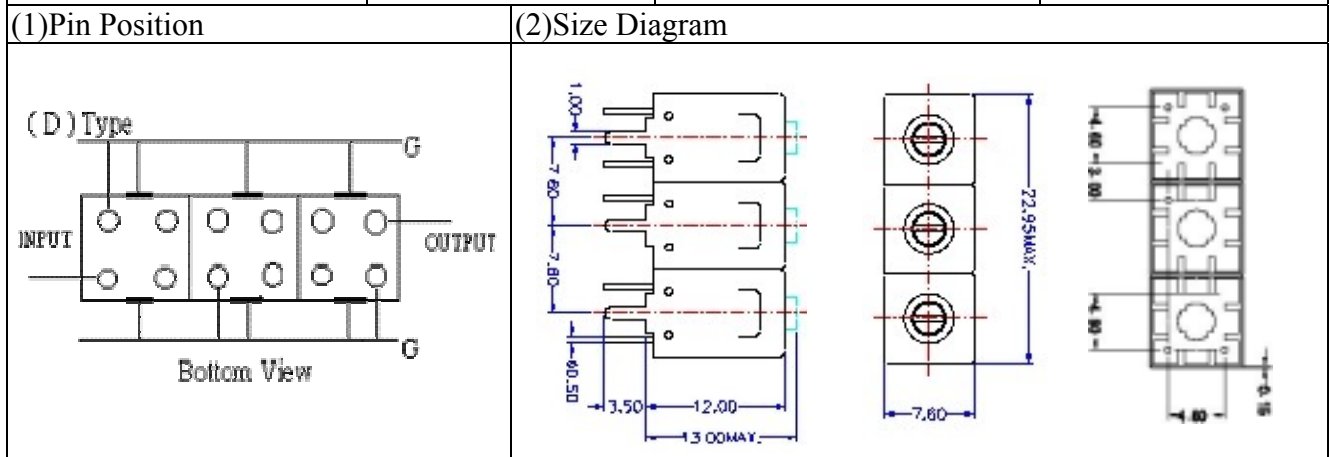
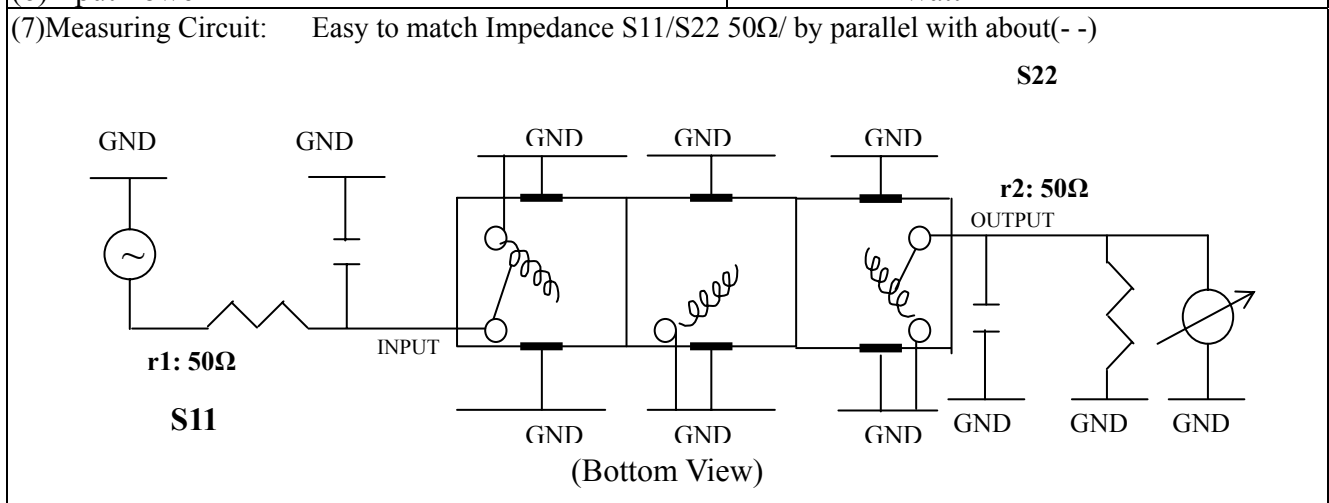


VHF UHF Helical Filter Specification Sheet

Customer Name		Temwell's Part No.	TT67426D-1282.5M
Approval No. /dated	201107082CD	Temwell's Print name.	67426D 1282.5M
Work Instruction No.	201107082CD	Date	Nov.08.2011



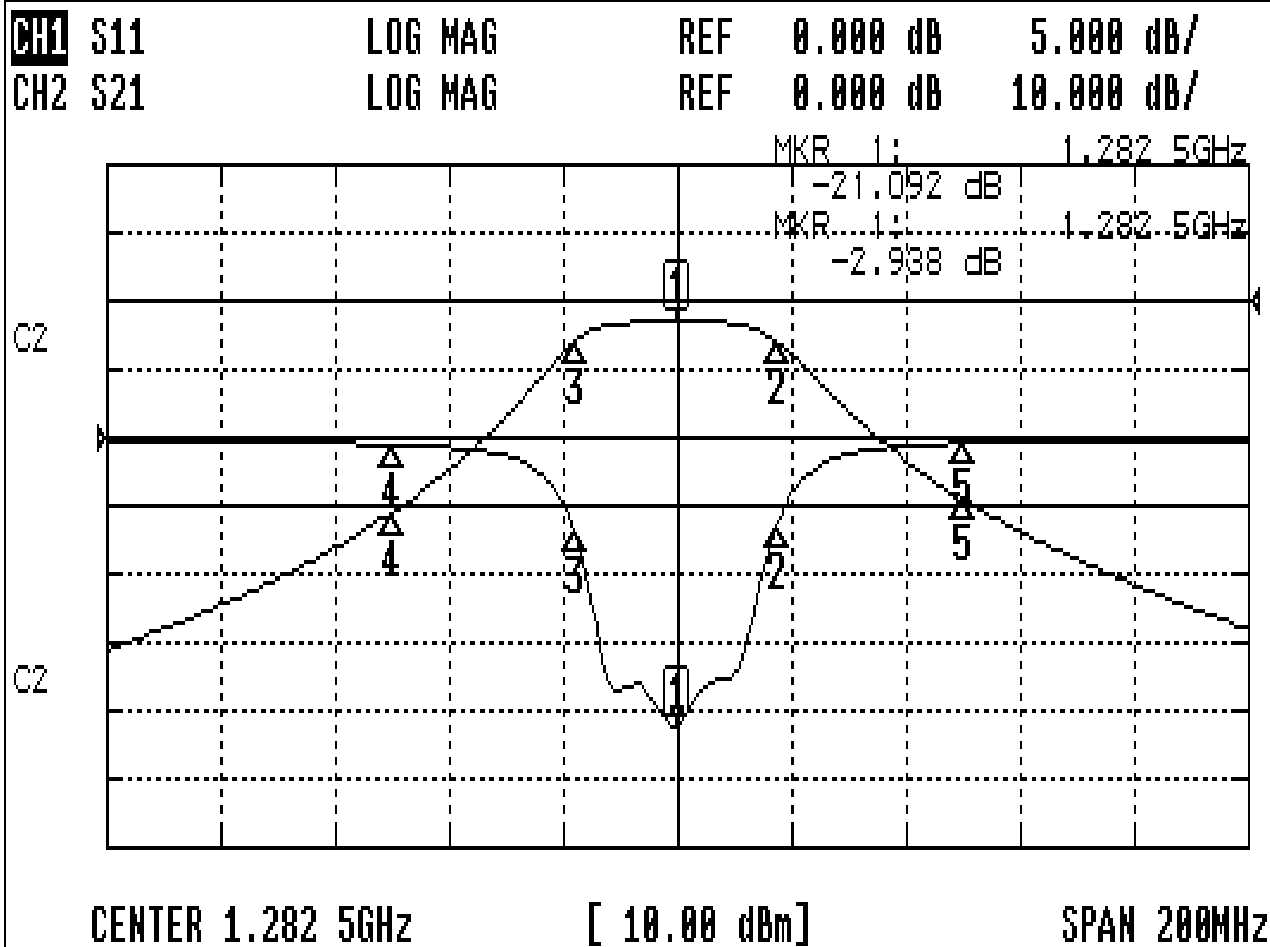
(3) Electric Characteristic	
Item	Specify
Center Freq.(Fo) +/- 0.5 %	1282.5 MHz
Insertion Loss	Typ. 4.0 dB
-3dB Bandwidth	Typ. 25 MHz
Sensitivity (Attenuation)	Fo - 50 MHz Typ. 20 dBc
	Fo + 50 MHz Typ. 15 dBc
	Fo - ()MHz Typ. dBc
	Fo +()MHz Typ. dBc
Return Loss	Min. 12 dB
Ripple	< 1 dB
Impedance	In / Out : 50 Ω
(4) Torque for Tuning Screw	> 60gf cm
(5) Temperature Condition:	
Operating Temperature	0 ~ +60
Storage Temperature	-20 ~ +70
(6) Input Power	> 1Watt



Approval C.Y.Chang	Supervisor C.K.Chang	Designer M.Y.Kang	Aperture size 7H3S(4*4.65)(4.67) 7H046RB4
TEMWELL CORPORATION			

Performance-TT67426D-1282.5M

201107082D



CH1 MARKER LIST

1:	1.282	500GHz	-21.092	dB
2:	1.300	000GHz	-6.487	dB
3:	1.264	666GHz	-7.051	dB
4:	1.232	500GHz	-0.509	dB
5:	1.332	500GHz	-0.407	dB

CH2 MARKER LIST

1:	1.282	500GHz	-2.938	dB
2:	1.300	000GHz	-2.910	dB
3:	1.264	666GHz	-2.915	dB
4:	1.232	500GHz	-30.959	dB
5:	1.332	500GHz	-29.043	dB