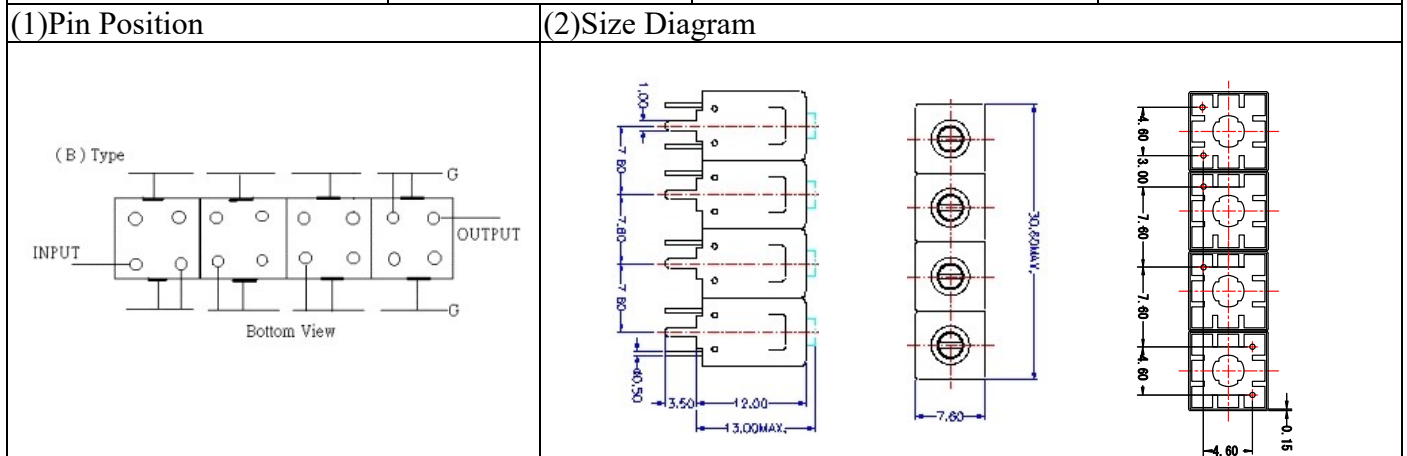
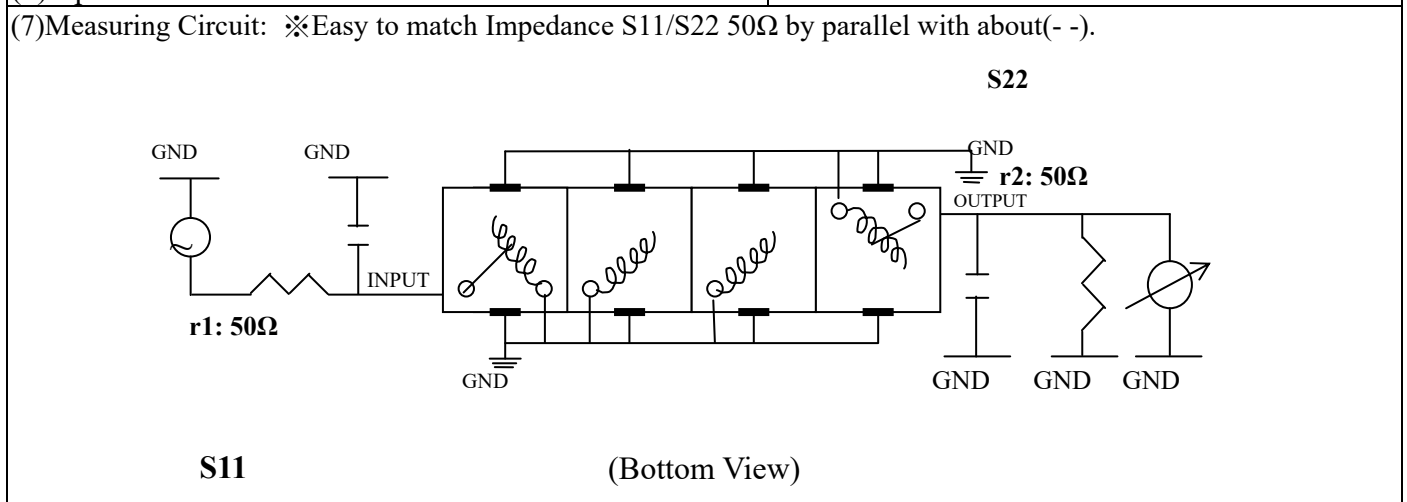


VHF UHF Helical Filter Specification Sheet

Customer Name		Temwell's Part No.	TF69295B-435M
Approval No. /dated	201803024CD	Temwell's Print Name	69295B 435M
Work Instruction No.	201803024CD	Date	Mar.23.2018



(3) Electric Characteristic			
Item		Specify	Performance
Center Freq.(Fo) +/- 0.5 %		435 MHz	435 MHz
Insertion Loss		Typ. 2.5 dB	1.40 dB
-3 dB Bandwidth		Typ. 34 MHz	36.5 MHz
Sensitivity (Attenuation)	Fo - 50 MHz	Typ. 41 dBc	46 dBc
	Fo + 50 MHz	Typ. 29 dBc	34 dBc
	Fo - ()MHz	Typ. dBc	dBc
	Fo +()MHz	Typ. dBc	dBc
Return Loss		Min. 12 dB	32.6 dB
Ripple		< 1 dB	dB
Impedance		In / Out : 50 Ω	In / Out : 50 Ω
(4) Torque for Tuning Screw		> 60gf · cm	
(5) Temperature Condition:			
Operating Temperature		0°C ~ +60°C	
Storage Temperature		-20°C ~ +70°C	
(6) Input Power		> 1Watt	

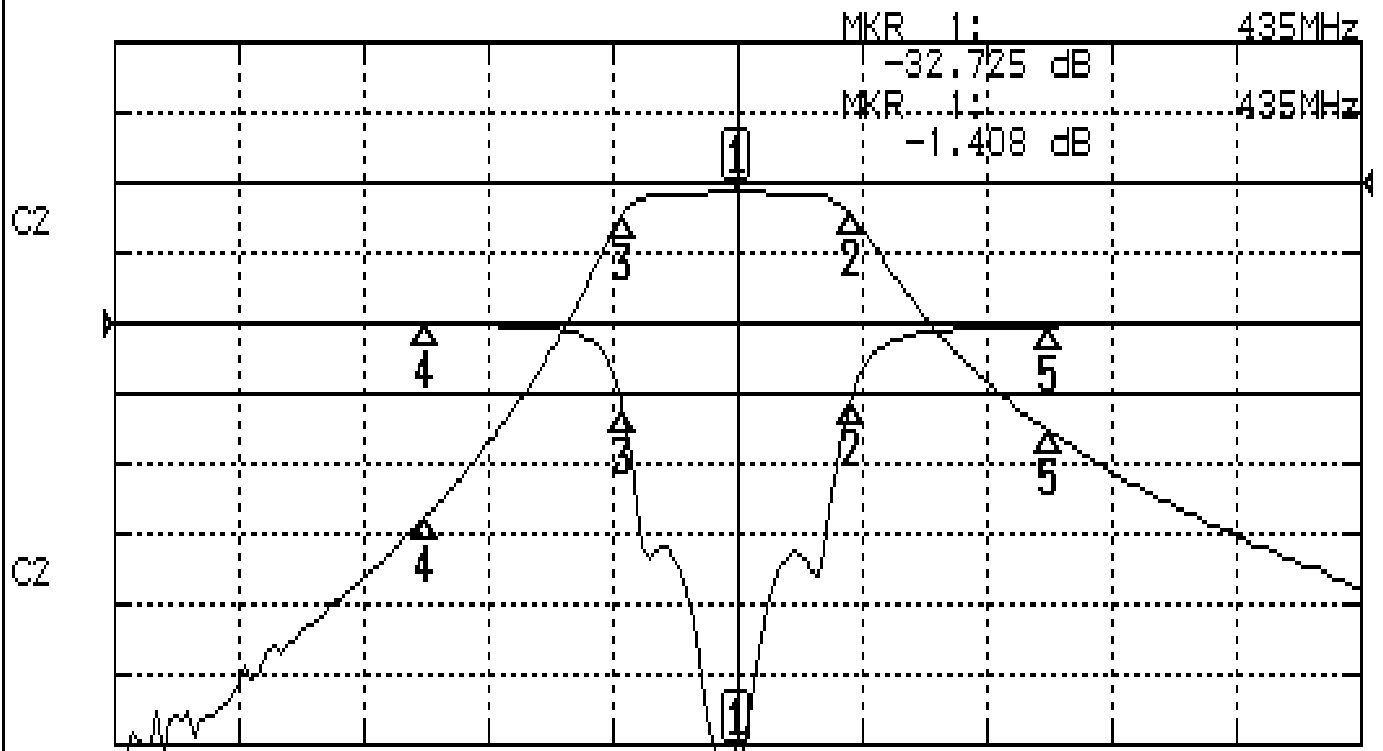


Approval	Supervisor	Designer	Aperture size
C.Y.Chang	C.K.Chang	C.H.Yeh	7H4S(4*6.8)(6.83) 7H046LB5
TEMWELL CORPORATION			

Performance-TF69295B-435M

201803024CD

CH1 S11 LOG MAG REF 0.000 dB 5.000 dB/
CH2 S21 LOG MAG REF 0.000 dB 10.000 dB/



CENTER 435MHz

[10.00 dBm]

SPAN 200MHz

CH1 MARKER LIST

1:	435.000MHz	-32.682 dB
2:	453.333MHz	-5.422 dB
3:	416.800MHz	-6.321 dB
4:	385.000MHz	-0.061 dB
5:	485.000MHz	-0.156 dB

CH2 MARKER LIST

1:	435.000MHz	-1.408 dB
2:	453.333MHz	-4.478 dB
3:	416.800MHz	-4.429 dB
4:	385.000MHz	-47.560 dB
5:	485.000MHz	-35.408 dB