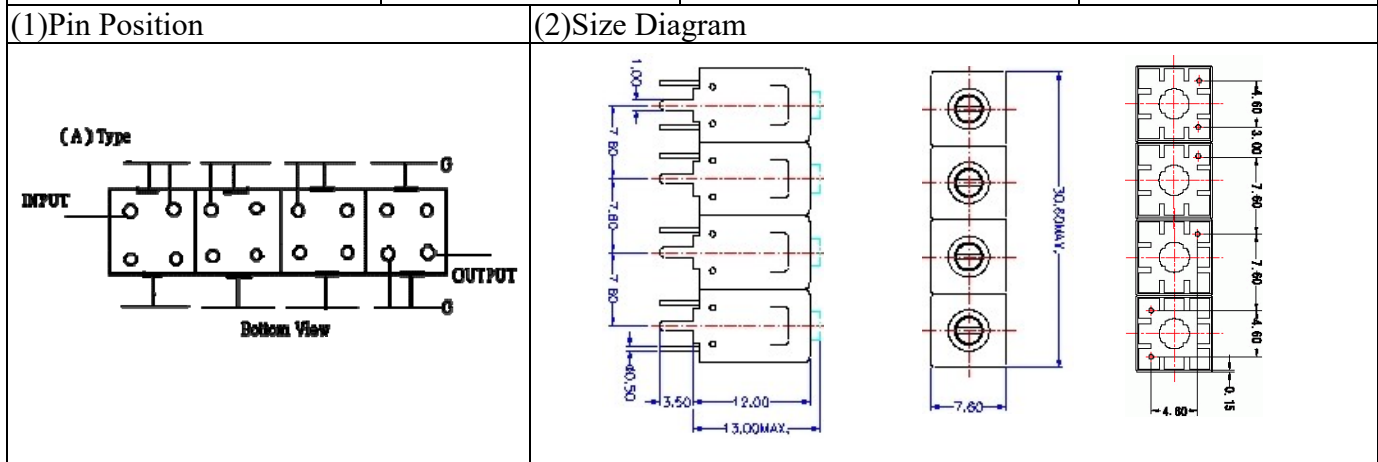


VHF UHF Helical Filter Specification Sheet

Customer Name		Temwell's Part No.	TF69281A-146M
Approval No. /dated	201803021CD	Temwell's Print Name	69281A 146M
Work Instruction No.	201803021CD	Date	Mar.21.2018



(3) Electric Characteristic

Item	Specify	Performance	
Center Freq.(Fo) +/- 0.5 %	146 MHz	146 MHz	
Insertion Loss	Typ. 4.0 dB	2.88 dB	
-3 dB Bandwidth	Typ. 8 MHz	9.4 MHz	
Sensitivity (Attenuation)	Fo - 50 MHz	Typ. 65 dBc	78 dBc
	Fo + 50 MHz	Typ. 60 dBc	72 dBc
	Fo - ()MHz	Typ. dBc	dBc
	Fo +()MHz	Typ. dBc	dBc
Return Loss	Min. 12 dB	28.8 dB	
Ripple	< 1 dB	dB	
Impedance	In / Out : 50 Ω	In / Out : 50 Ω	

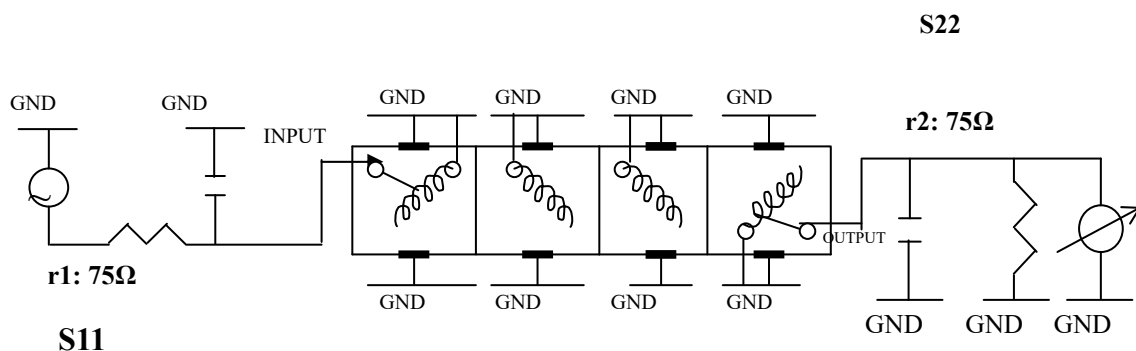
(4) Torque for Tuning Screw > 60gf · cm

(5) Temperature Condition:

Operating Temperature	0°C ~ +60°C
Storage Temperature	-20°C ~ +70°C

(6) Input Power > 1Watt

(7) Measuring Circuit: ※Easy to match Impedance S11/S22 50Ω by parallel with about(- -).



(Bottom View)

Approval	Supervisor	Designer	Aperture size
C.Y.Chang	C.K.Chang	M.Y.Kang	7H4S(4*7.5)(7.59) 7H024LB4

TEMWELL CORPORATION

TEMWELL

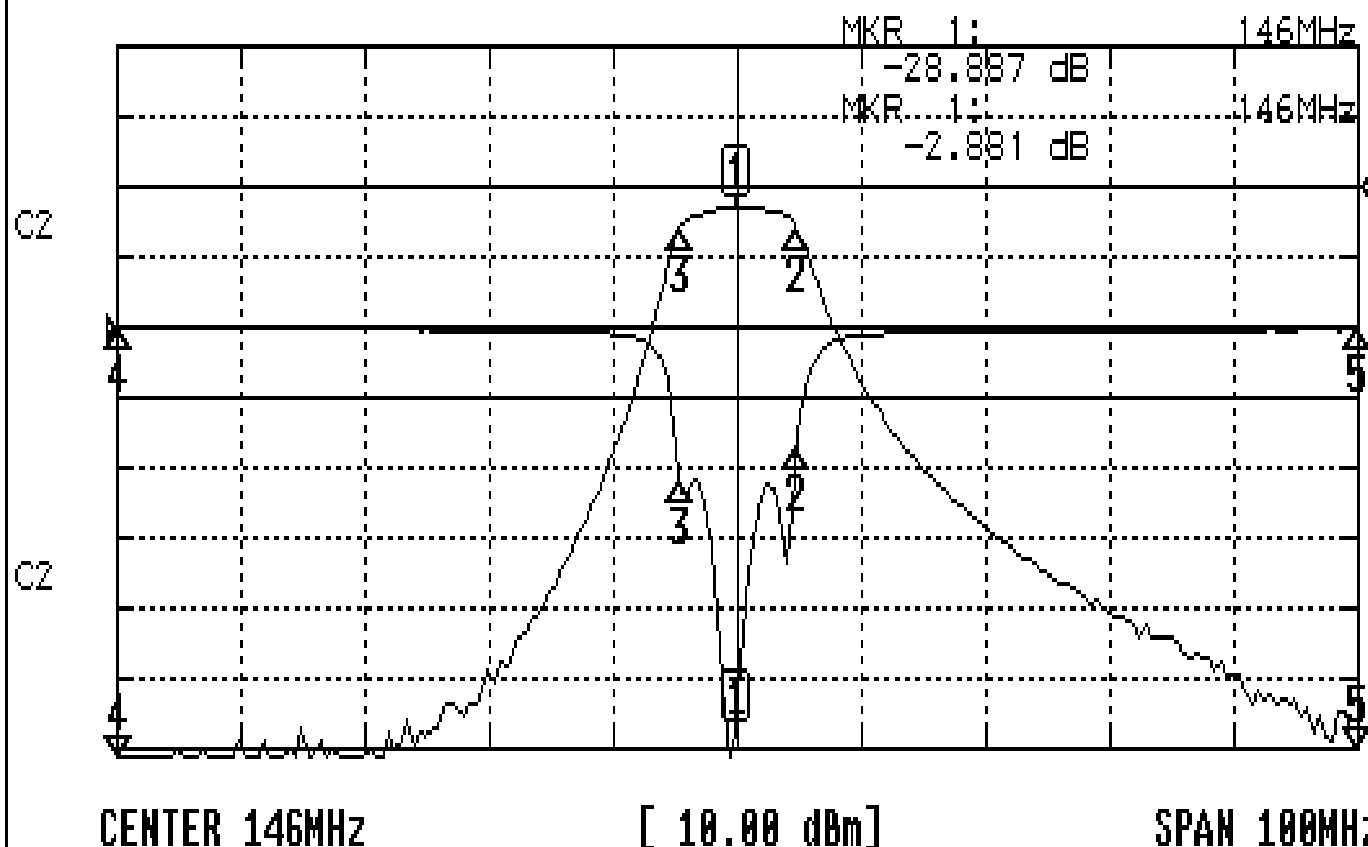
Form10-7H4A Vision D

RP (M.Y)

Performance-TF69281A-146M

201803021CD

CH1 S11 LOG MAG REF 0.000 dB 5.000 dB/
CH2 S21 LOG MAG REF 0.000 dB 10.000 dB/



CH1 MARKER LIST

1:	146.000MHz	-28.887	dB
2:	150.900MHz	-8.579	dB
3:	141.430MHz	-11.150	dB
4:	96.000MHz	-0.129	dB
5:	196.000MHz	-0.141	dB
6:			
7:			
8:			
9:			
10:			

CH2 MARKER LIST

1:	146.000MHz	-2.880	dB
2:	150.900MHz	-15.891	dB
3:	141.430MHz	-15.857	dB
4:	96.000MHz	-81.438	dB
5:	196.000MHz	-75.178	dB
6:			
7:			
8:			
9:			
10:			