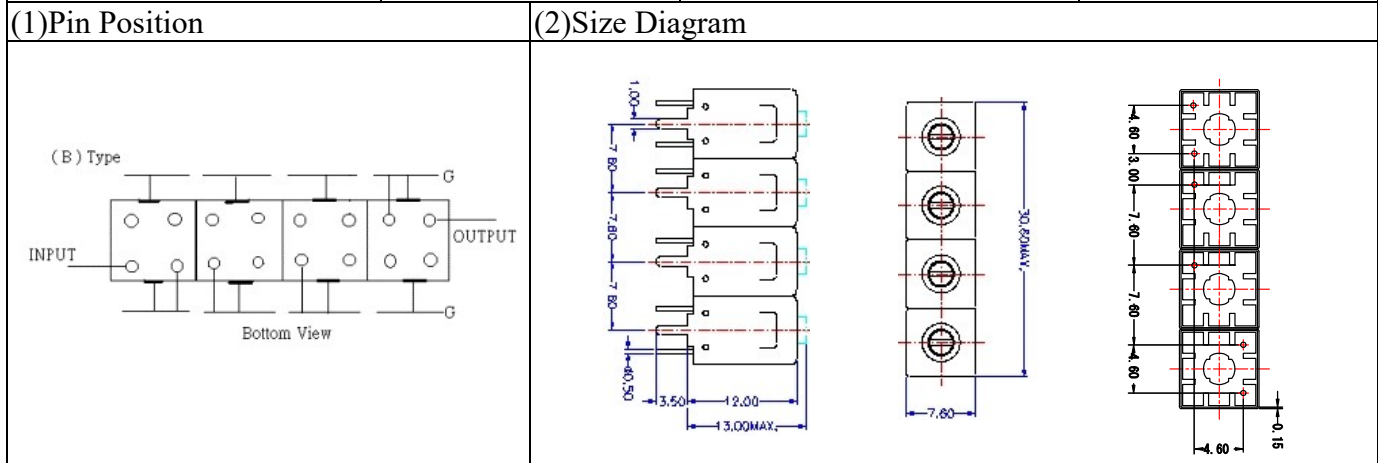
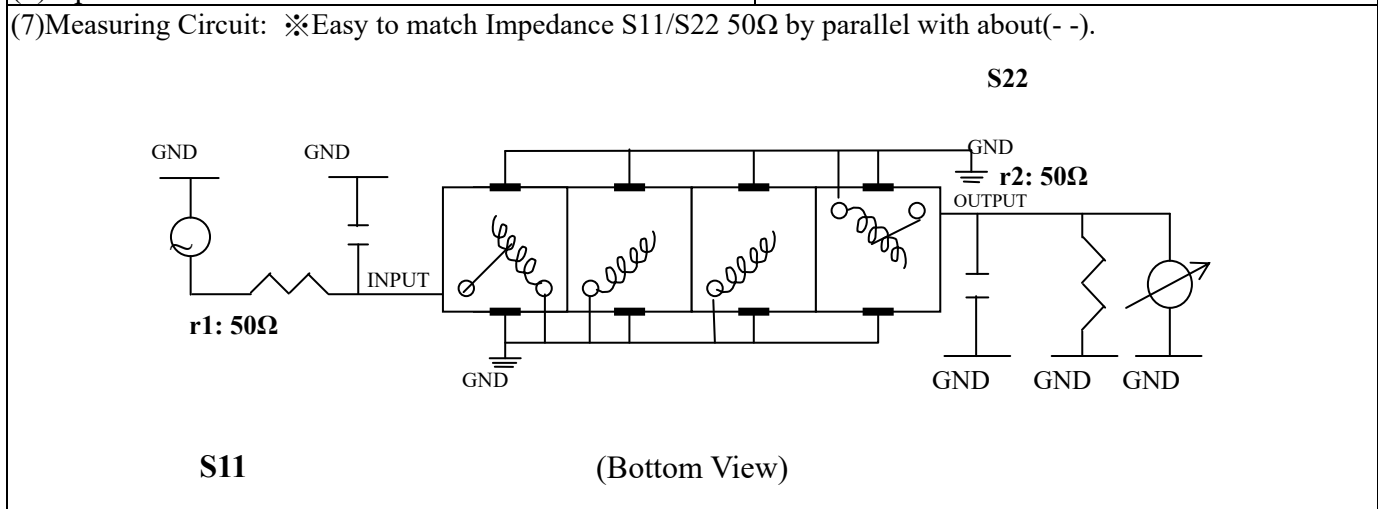


# VHF UHF Helical Filter Specification Sheet

Customer Name		Temwell's Part No.	TF6434B-223.5M
Approval No. /dated	201803023CD	Temwell's Print Name	6434B 223.5M
Work Instruction No.	201803023CD	Date	Mar.22.2018



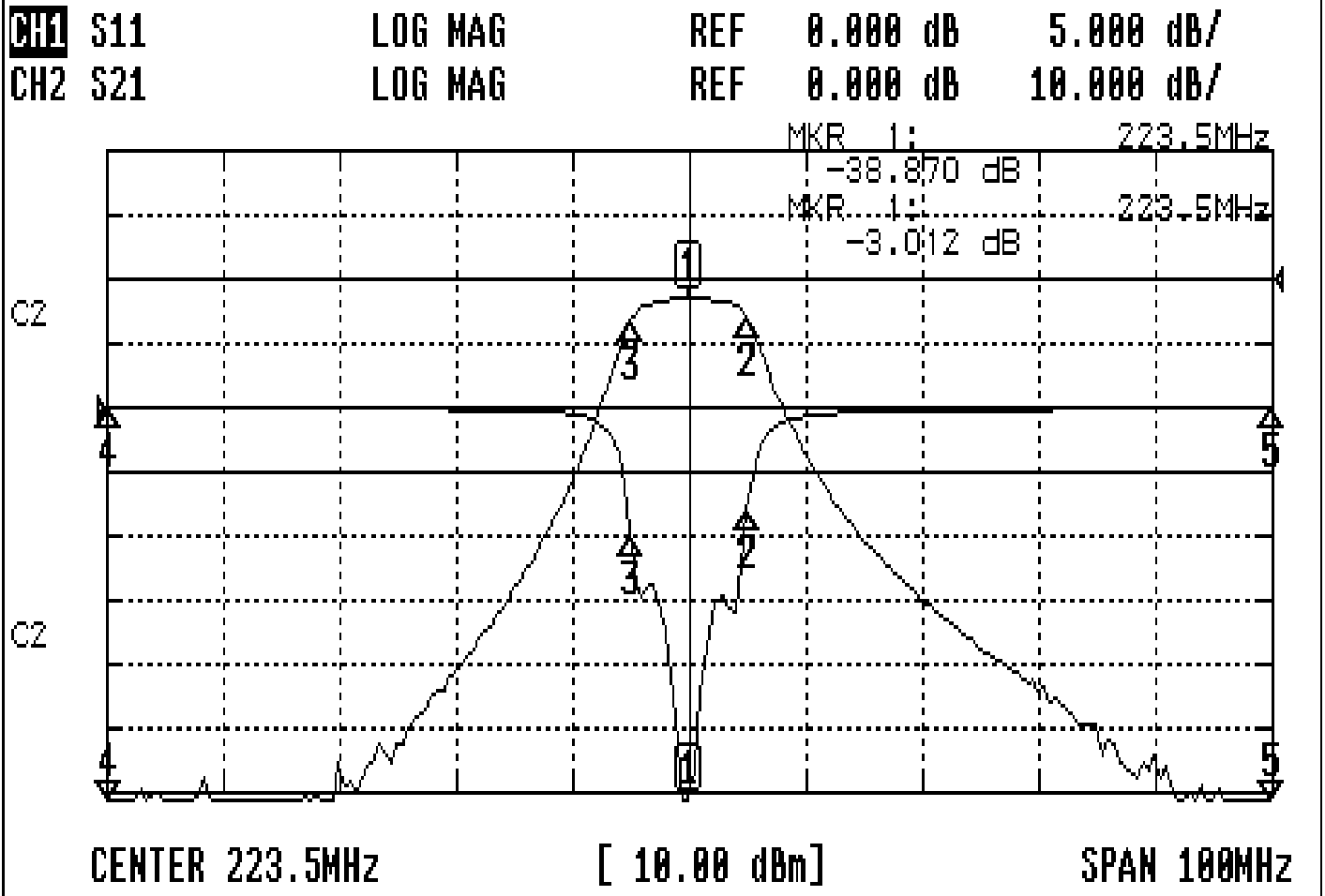
(3) Electric Characteristic			
Item		Specify	Performance
Center Freq.(Fo) +/- 0.5 %		223.5 MHz	223.5 MHz
Insertion Loss		Typ. 4.0 dB	3.01 dB
-3 dB Bandwidth		Typ. 8 MHz	9.8 MHz
Sensitivity (Attenuation)	Fo - 50 MHz	Typ. 65 dBc	77 dBc
	Fo + 50 MHz	Typ. 68 dBc	80 dBc
	Fo - ( )MHz	Typ. dBc	dBc
	Fo +( )MHz	Typ. dBc	dBc
Return Loss		Min. 12 dB	38.8 dB
Ripple		< 1 dB	dB
Impedance		In / Out : 50 Ω	In / Out : 50 Ω
(4) Torque for Tuning Screw		> 60gf · cm	
(5) Temperature Condition:			
Operating Temperature		0°C ~ +60°C	
Storage Temperature		-20°C ~ +70°C	
(6) Input Power		> 1Watt	



Approval	Supervisor	Designer	Aperture size
C.Y.Chang	C.K.Chang	M.Y.Kang	7H4S(4*5.6)(5.66) 7H024LB4
TEMWELL CORPORATION			

# Performance-TF6434B-223.5M

## 201803023CD



### CH1 MARKER LIST

1:	223.500MHz	-38.870 dB
2:	228.480MHz	-8.256 dB
3:	218.600MHz	-10.305 dB
4:	173.500MHz	-0.083 dB
5:	273.500MHz	-0.089 dB

### CH2 MARKER LIST

1:	223.500MHz	-3.014 dB
2:	228.480MHz	-6.050 dB
3:	218.600MHz	-6.043 dB
4:	173.500MHz	-80.967 dB
5:	273.500MHz	-83.854 dB